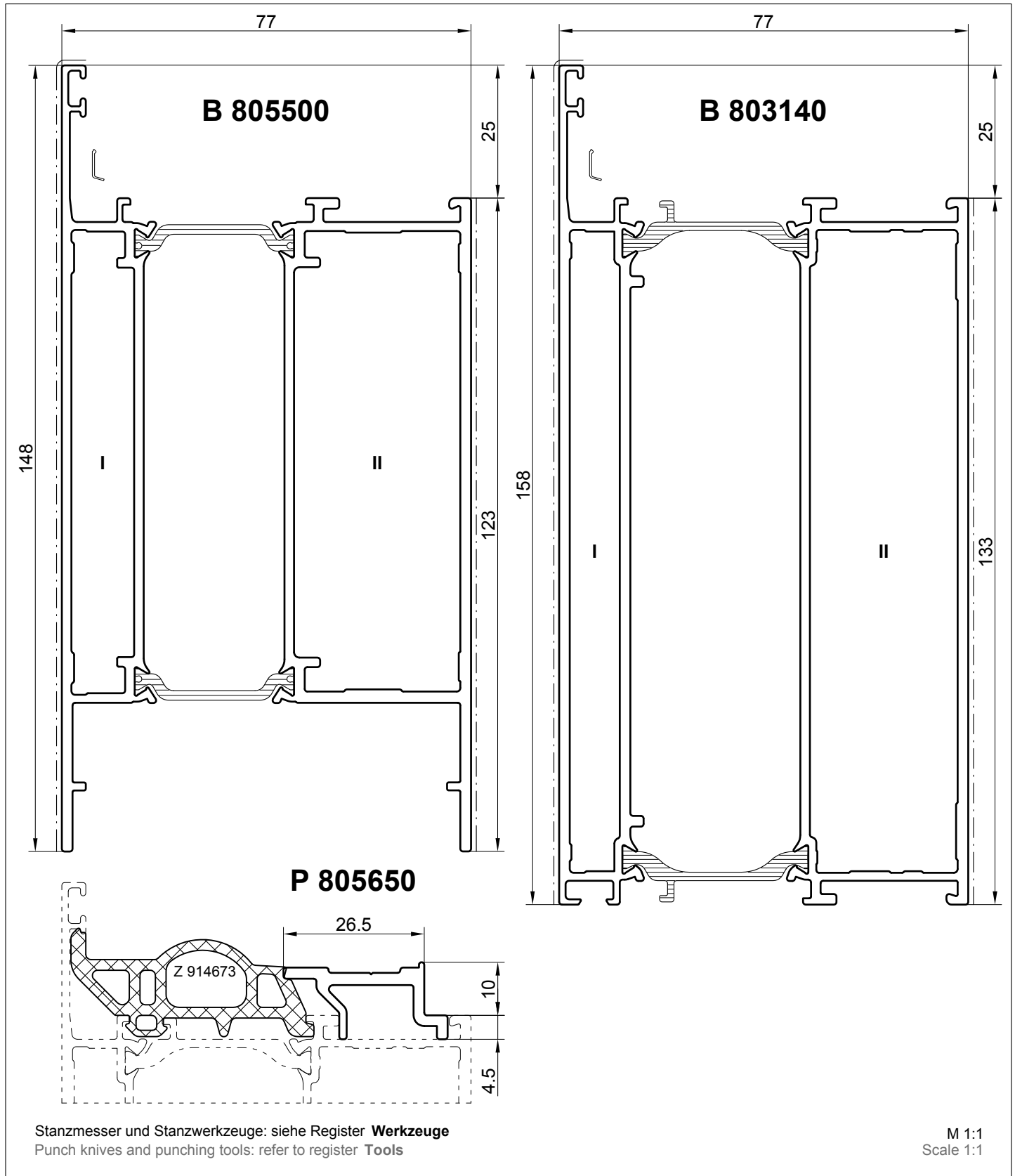


Stanzmesser und Stanzwerkzeuge: siehe Register **Werkzeuge**
Punch knives and punching tools: refer to register **Tools**

M 1:1
Scale 1:1

015000120

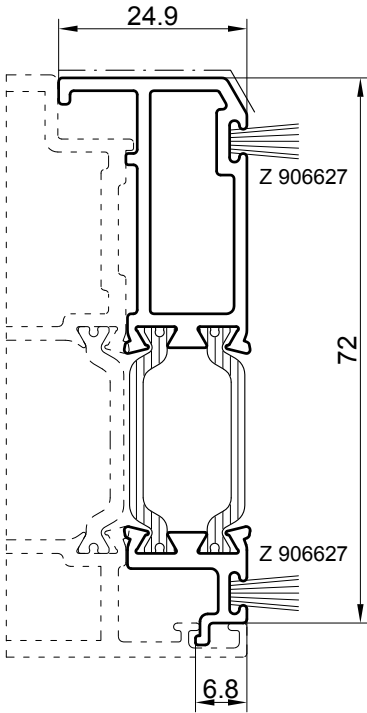
	Außenkammer External profile chamber					Innenkammer Internal profile chamber					
	I	II				I	II				
<ul style="list-style-type: none"> verpressbar crimpable verstiftbar nailable nachträglich verklebbar retro gluing after assembly 											
B 805600	-	-	-	-	-	-	Z 914750	-	2 x Z 900024	Z 911187	Z 914889
B 805610	-	-	-	-	-	-	Z 914750	-	2 x Z 900024	Z 911187	Z 914889
B 805620	-	-	-	-	-	-	-	-	-	-	-
B 805630	-	-	-	-	-	-	-	-	-	-	-



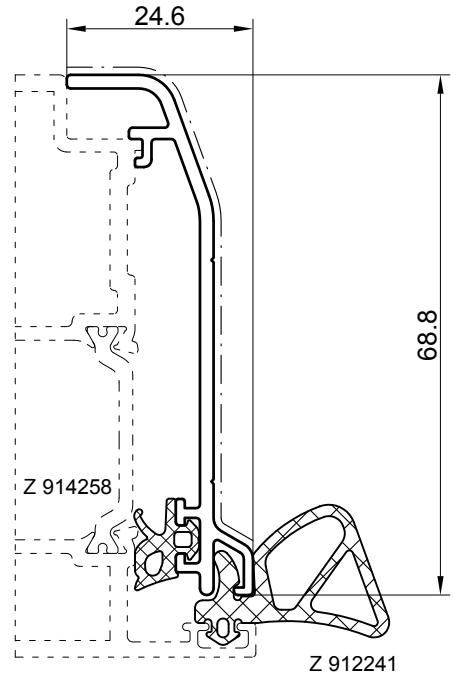
	Außenkammer External profile chamber					Innenkammer Internal profile chamber					
	I					II					
<ul style="list-style-type: none"> verpressbar crimpable verstiftbar nailable nachträglich verklebbar retro gluing after assembly 											
B 805500	Z 914234 L Z 914235 R	Z 914715	2 x Z 911513	Z 911187	-	-	Z 914716	-	2 x Z 914351	Z 911187	Z 914434 Z 914772
B 803140	Z 914234 L Z 914235 R	Z 914719	2 x Z 911513	Z 911187	2 x Z 914352	-	Z 914720	-	2 x Z 914351	Z 911187	Z 914420

016000130

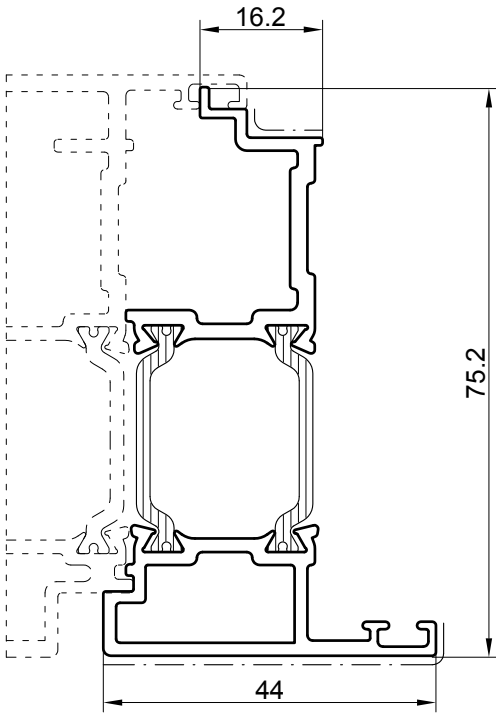
B 805670



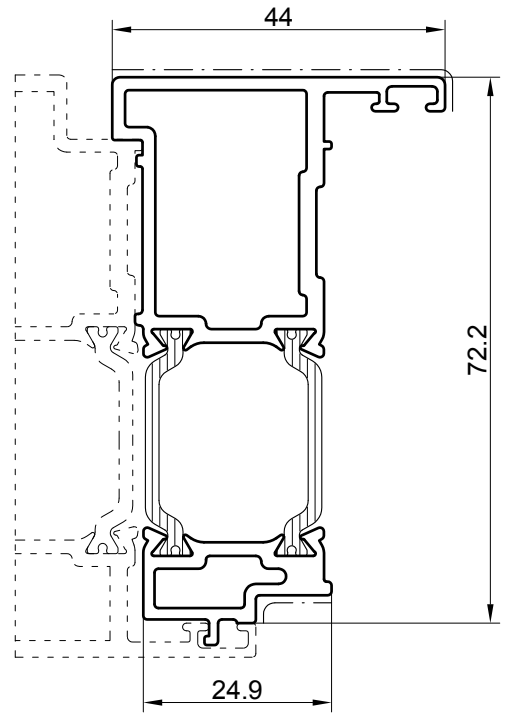
P 805740



B 805640

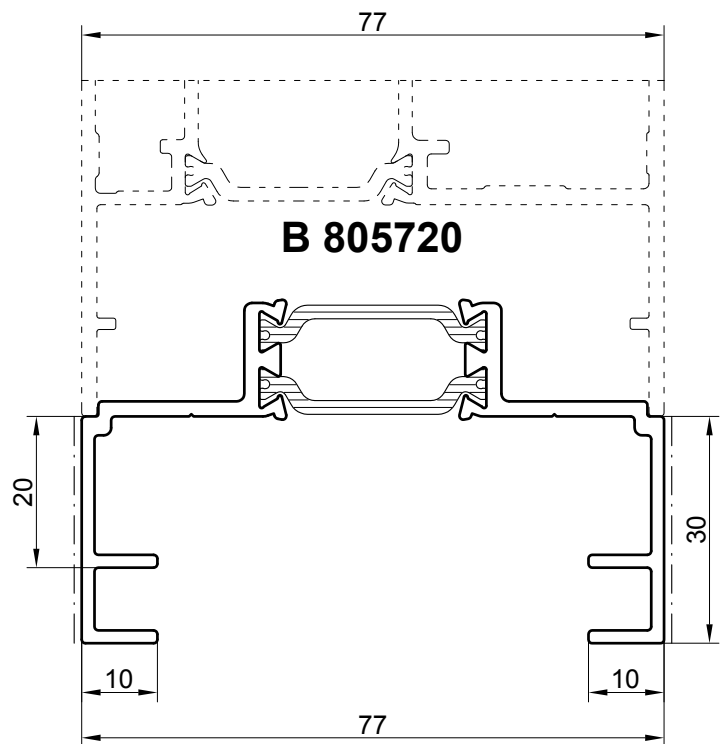
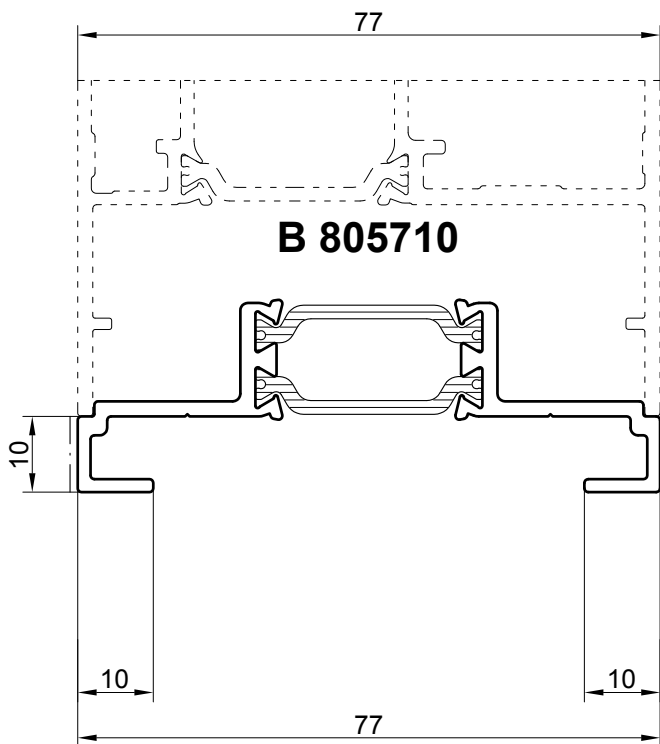
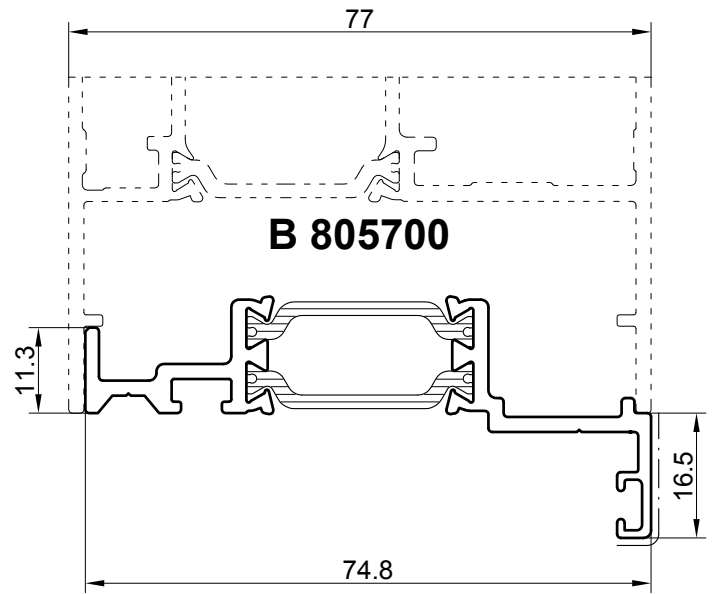
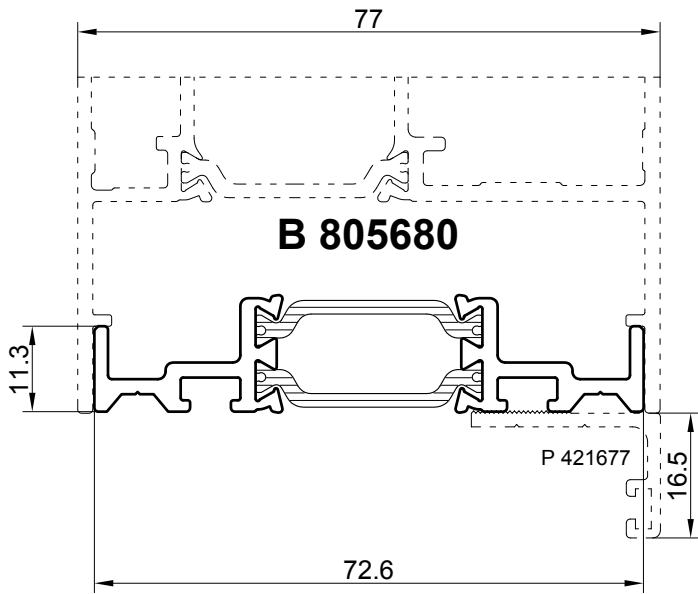


B 805660



017000140

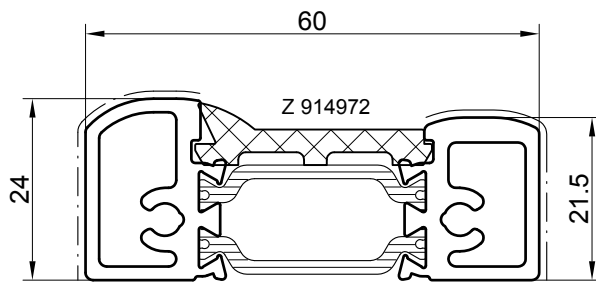
M 1:1
Scale 1:1



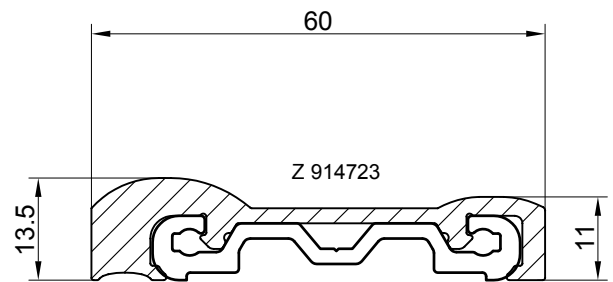
M 1:1
Scale 1:1

016000150

B 805690



P 805730



015000150

M 1:1
Scale 1:1