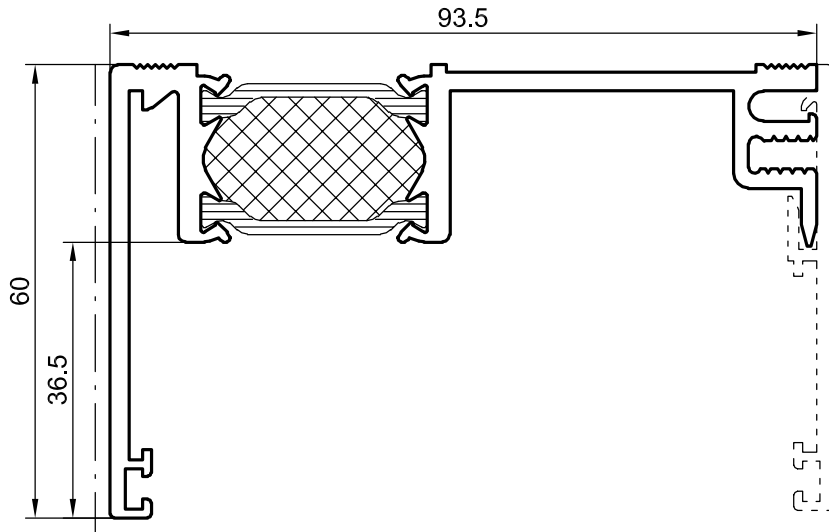
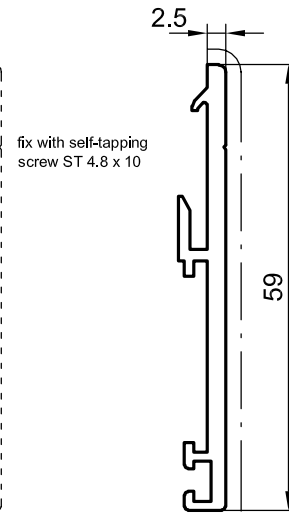




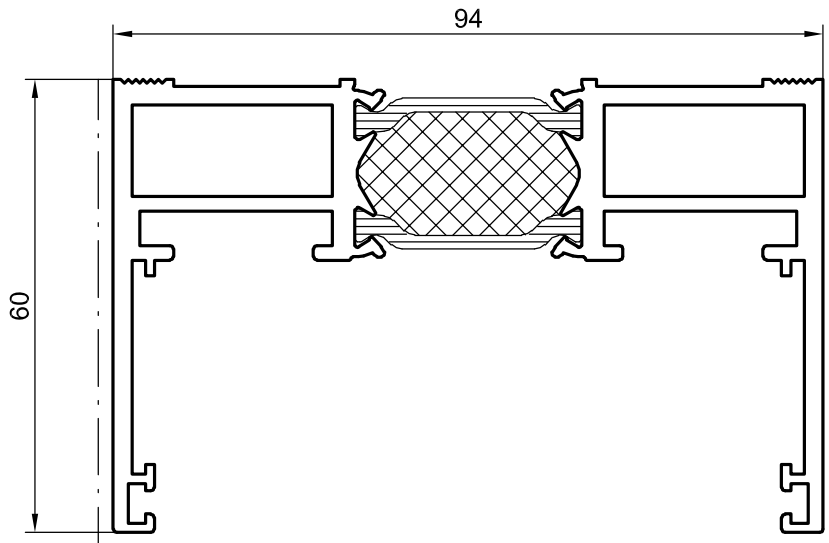
**B 410609**



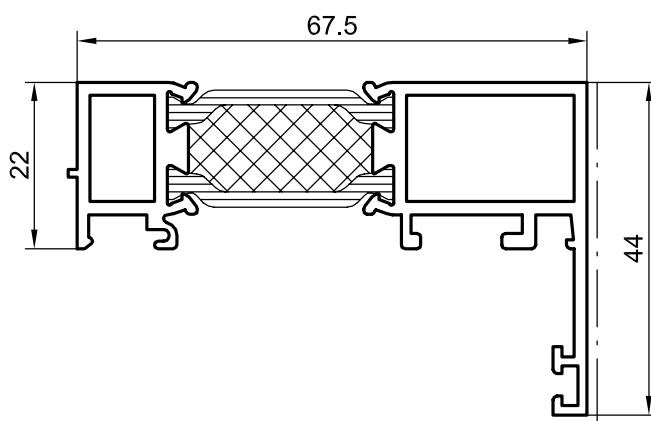
**P 410610**

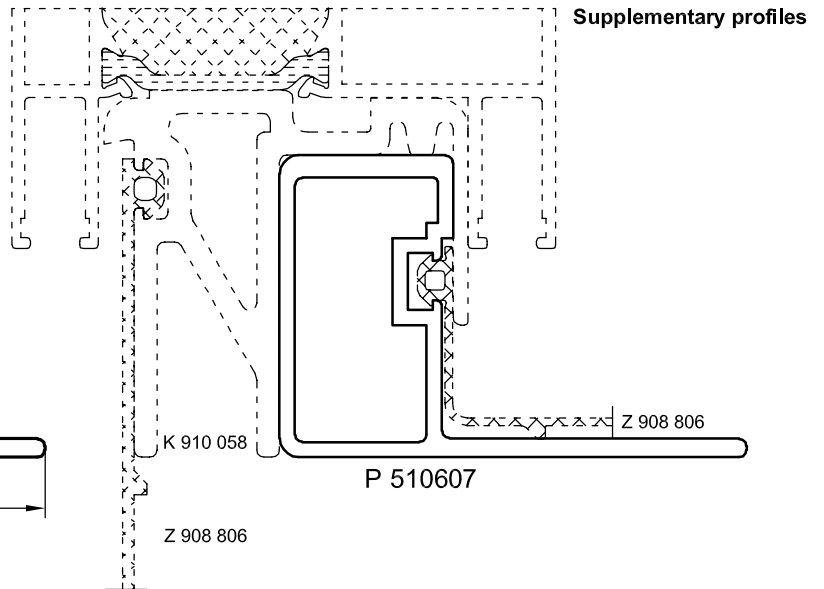
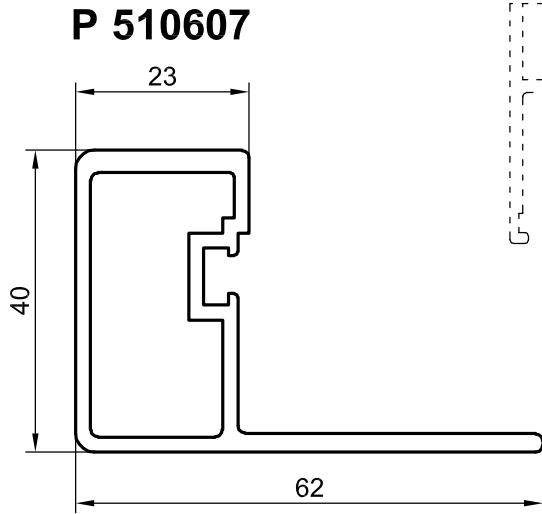
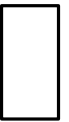


**B 510606**

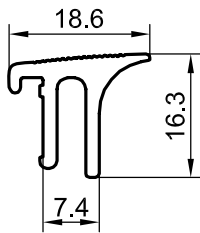


**B 510612**

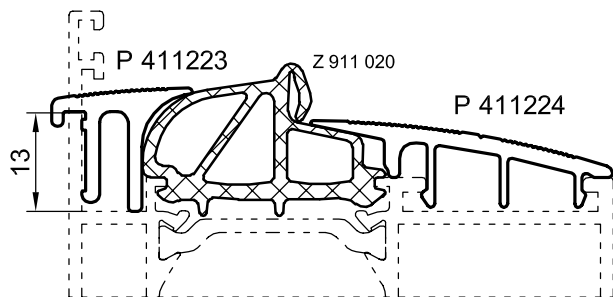
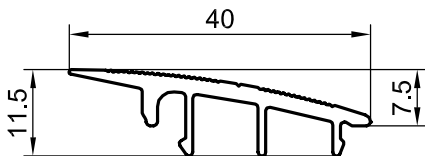




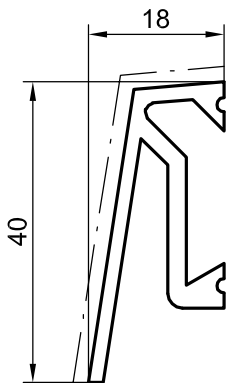
**P 411223**



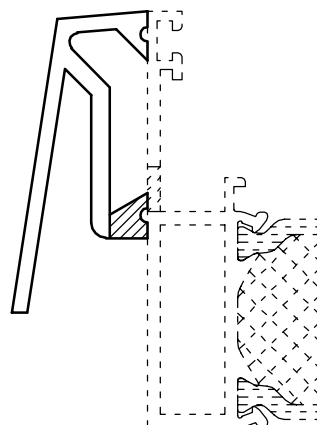
**P 411224**



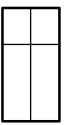
**P 496001**



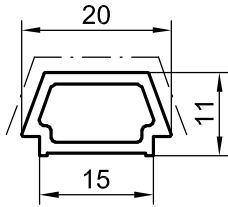
**P 496001**



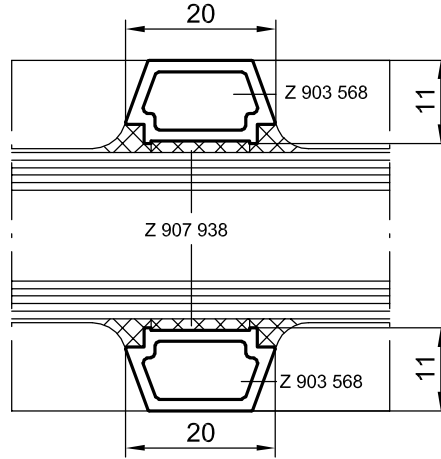
M 1:1



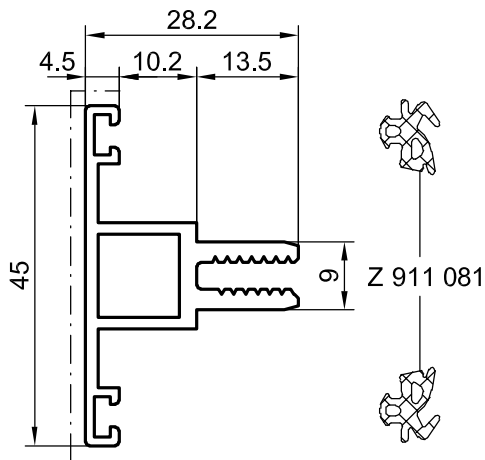
**P 552643**



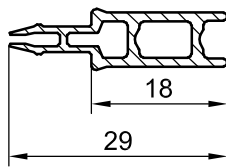
**P 552643**



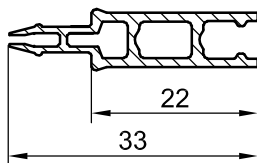
**P 510312**



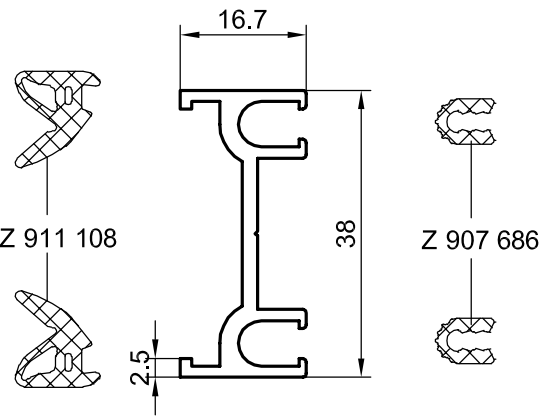
**K 910 044**



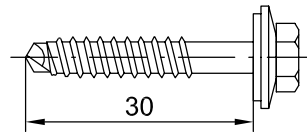
**K 910 038**



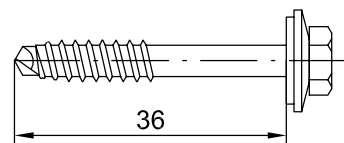
**P 410604**



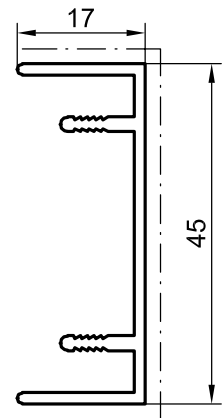
**Z 911 265**



**Z 911 386**



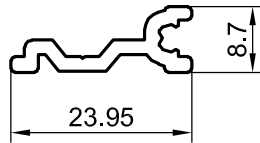
**P 410605**





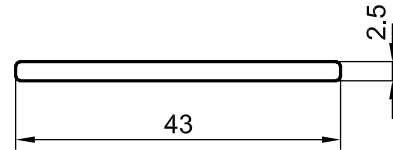
**P 410611**

Coupling profile



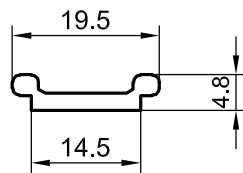
**P 496100**

Expansion profile



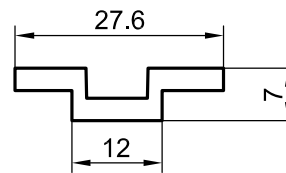
**P 496099**

Operating rod profile



**P 496105**

Operating rod profile for rotary handle operated turn-tilt windows



**P 496111**

For manufacturing larger transom profiles from the same and/or different transom profiles

