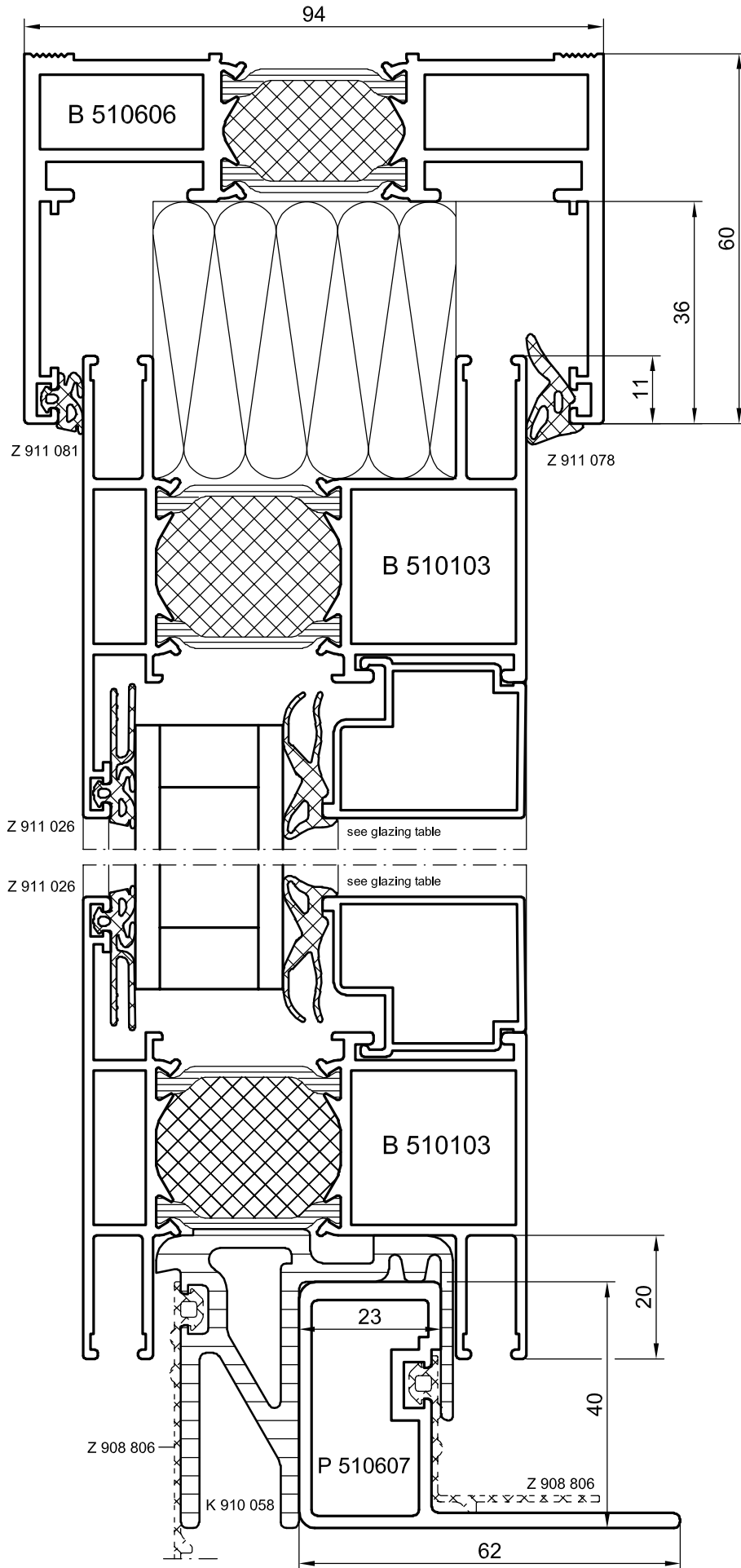
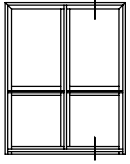
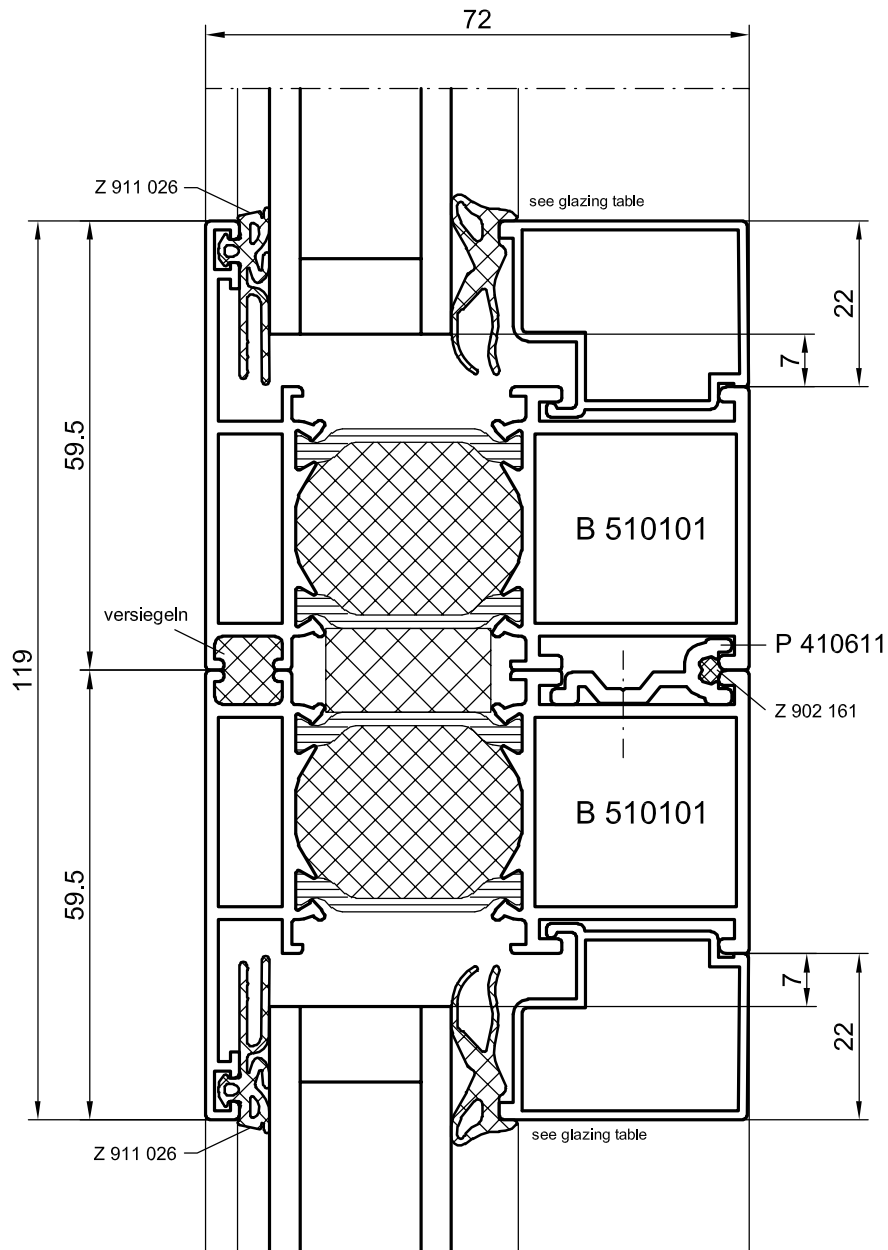
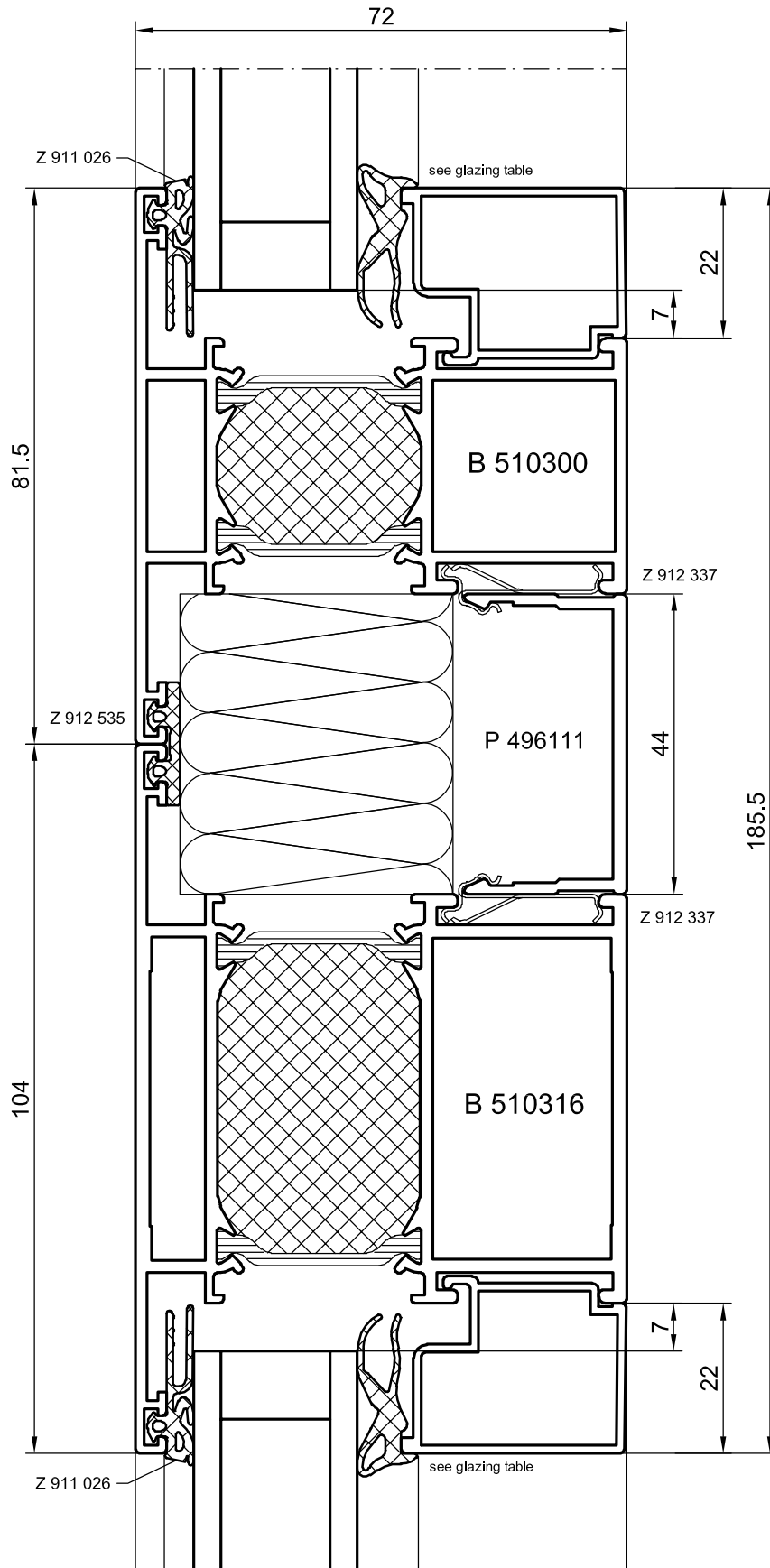
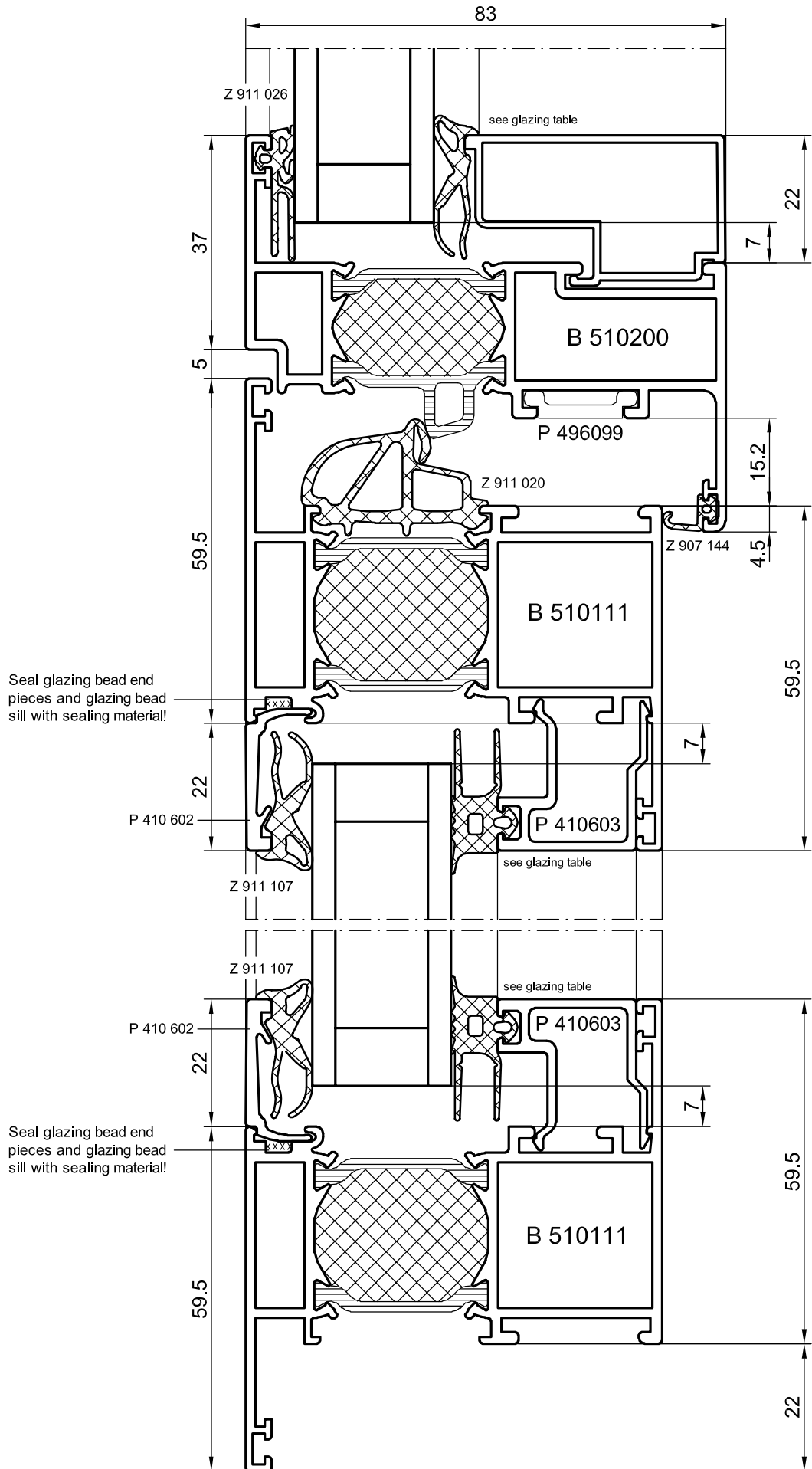
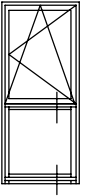


M 1:1

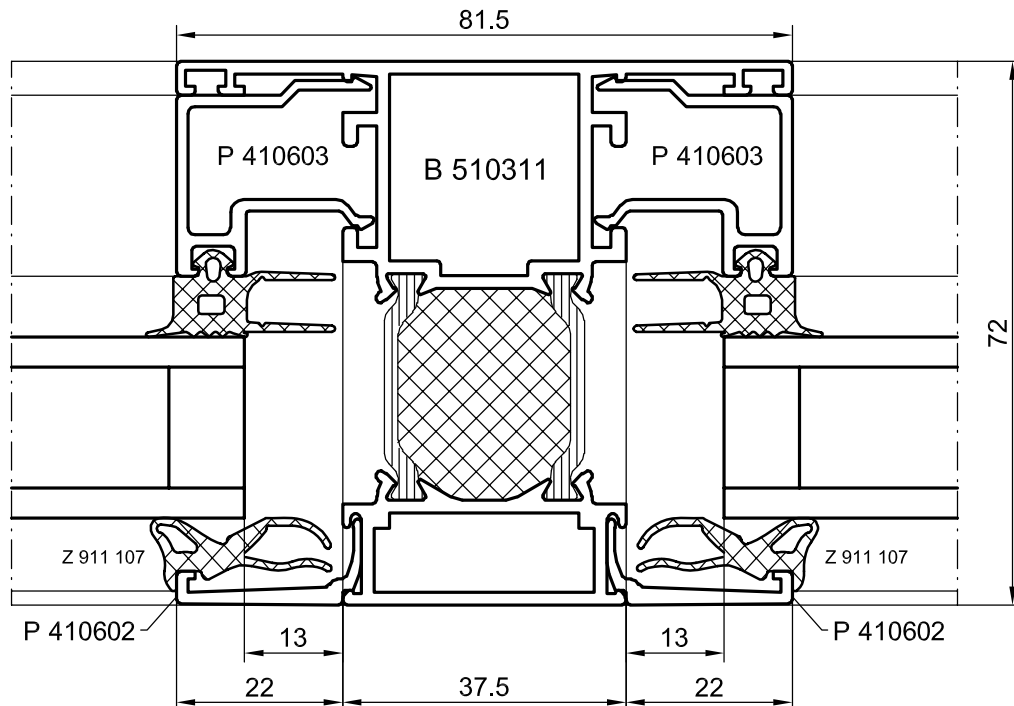
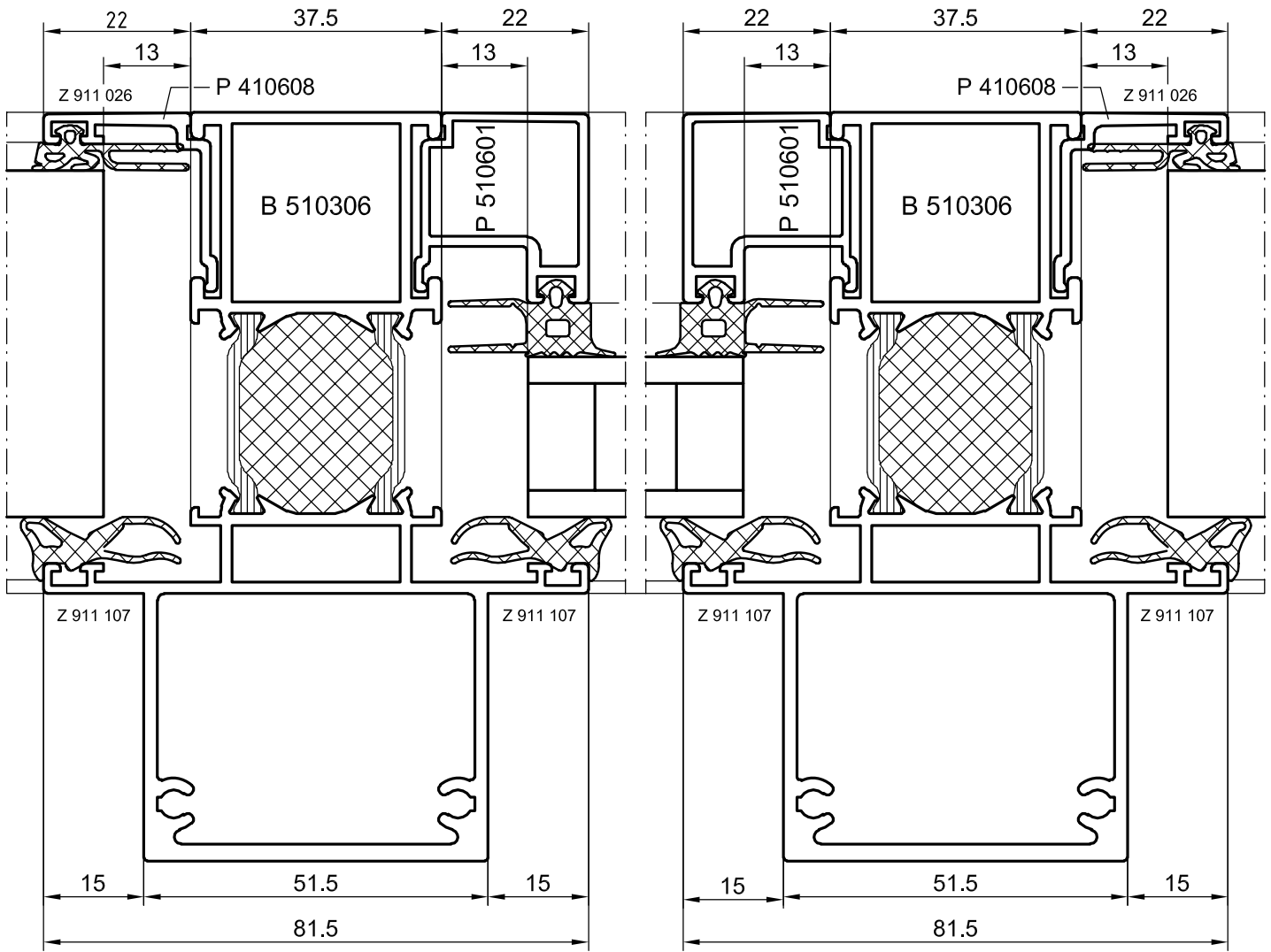




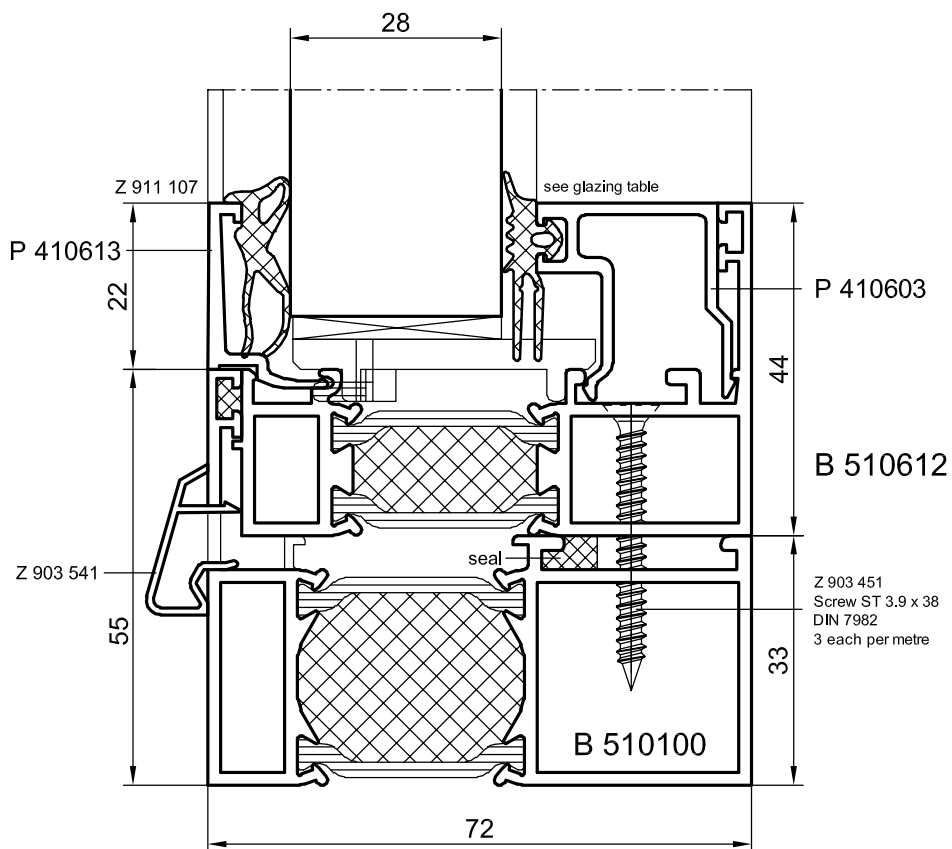
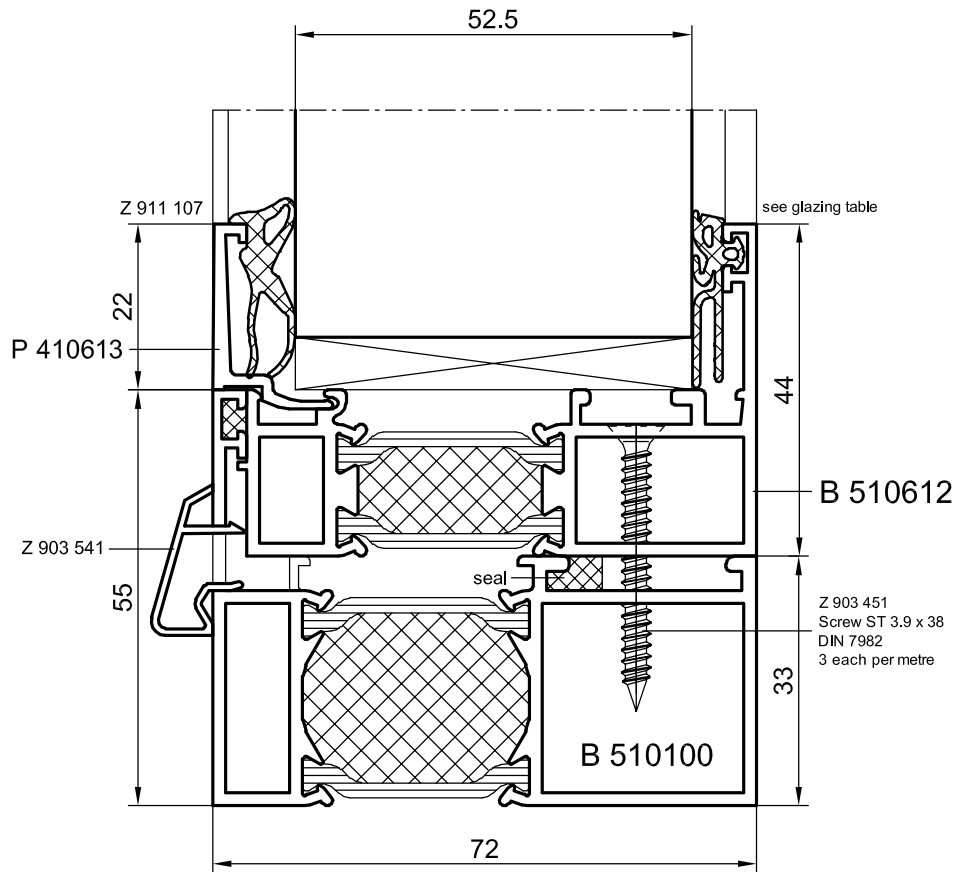




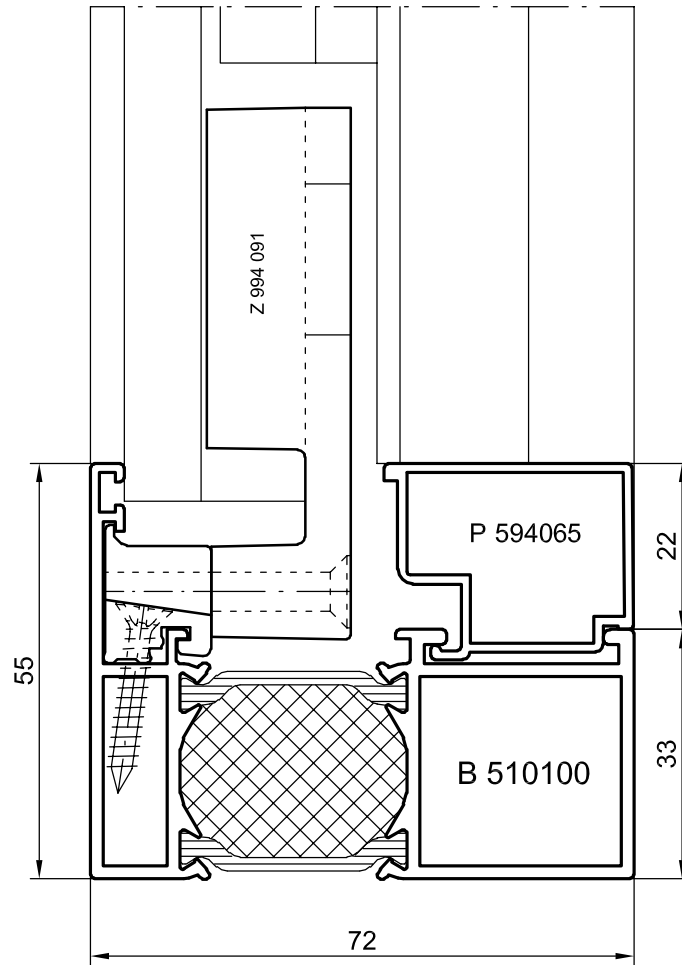
M 1:1



M 1:1

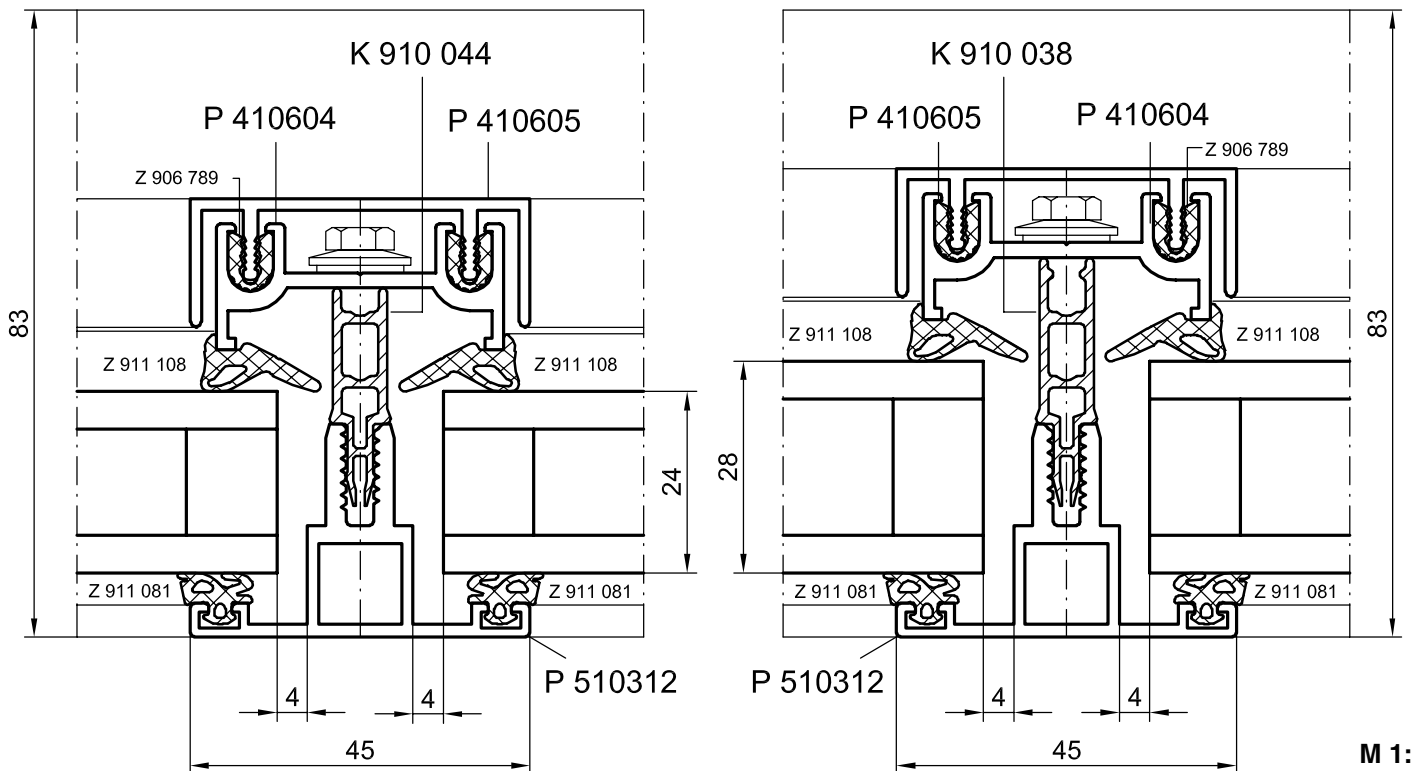


**Vertical section with movable T-bracket**

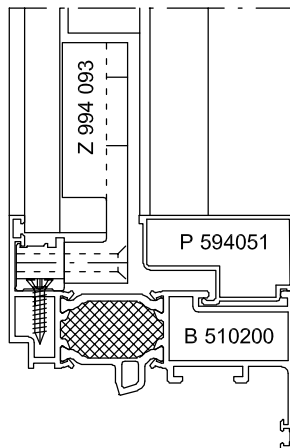
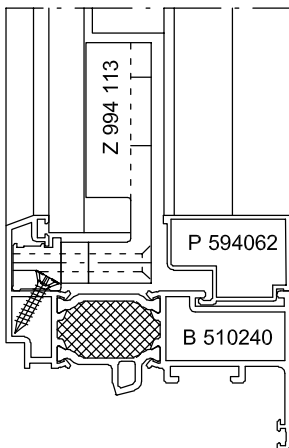
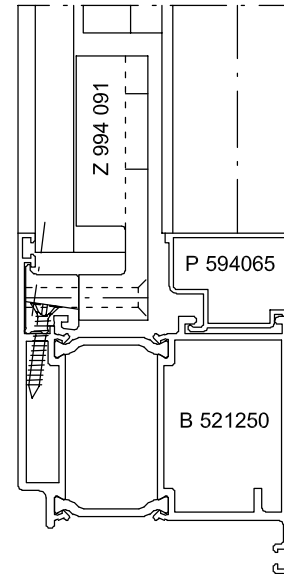
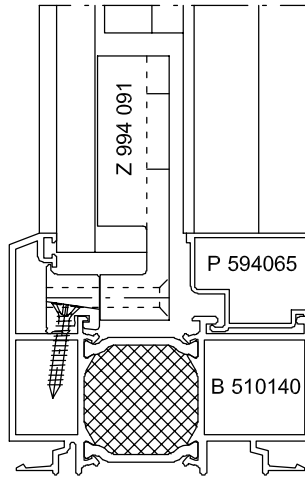
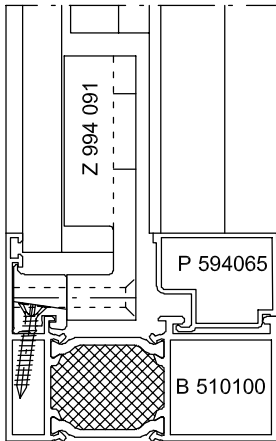
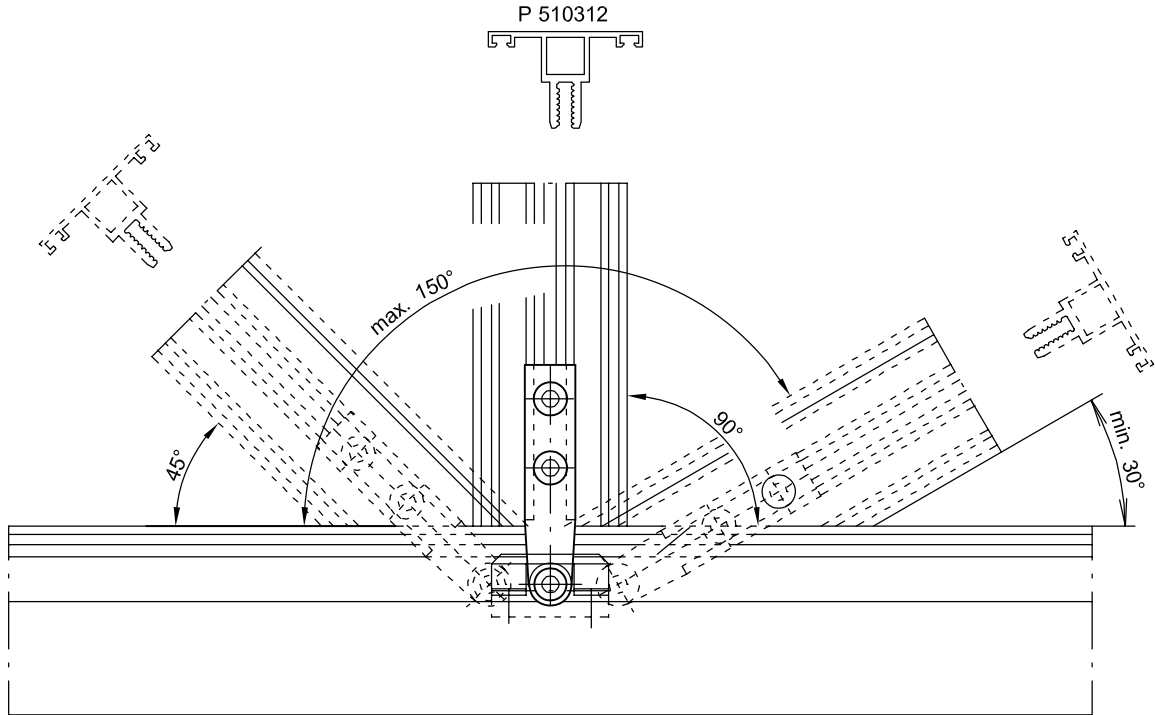


Installation and glazing  
cf. Processing Information!

**Horizontal section – glass partitioning transom and decorative lattice bar**

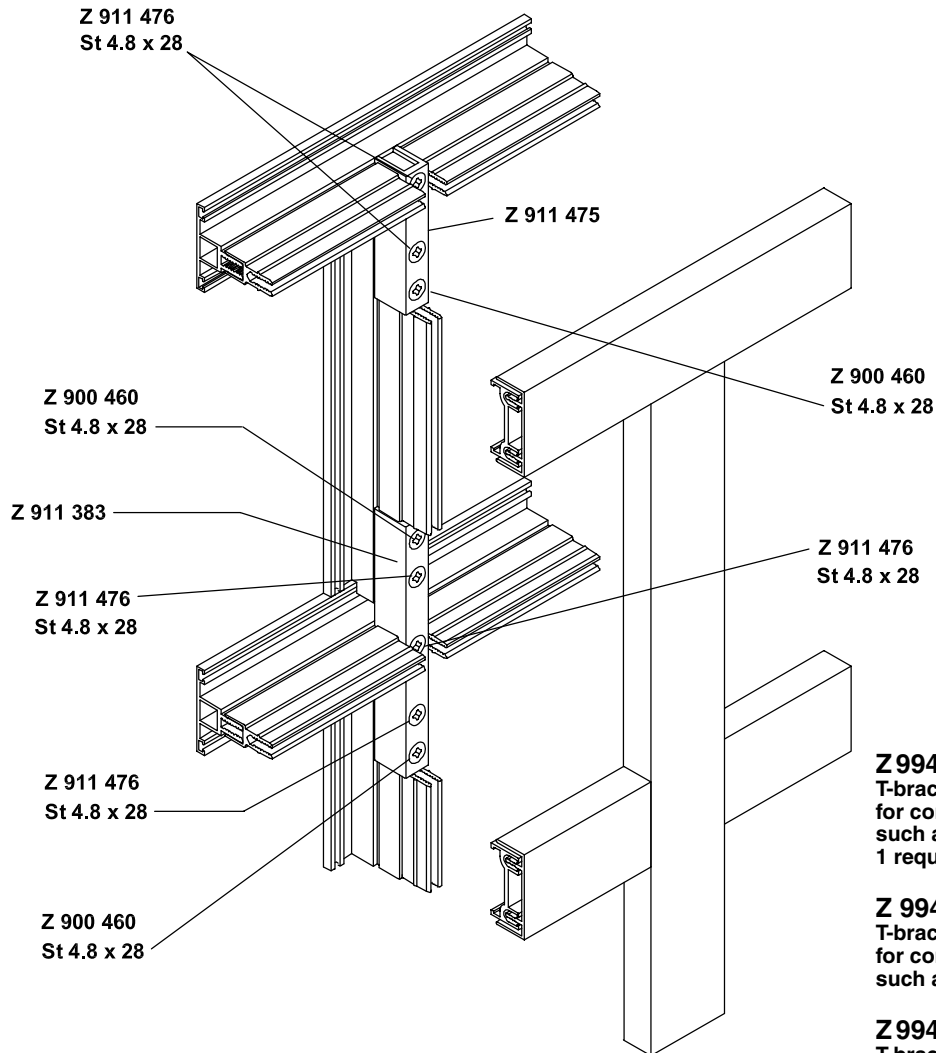


**M 1:1**



**Installation and glazing  
cf. Processing Information!**

## T-brackets for sash transom P 510 312 (window sash area)



**Attention!**  
Max. sash weight for  
sash transoms  $\leq 60$  kg

**K 910 044**  
Plastic profile,  
required for a  
glass thickness  
of 24 mm

**K 910 038**  
Plastic profile,  
required for a  
glass thickness  
of 28 mm

**Z 994 093**  
T-bracket set ( $90^\circ$ - $135^\circ$ ),  
for connection to sash profiles  
such as B 510 200,  
1 required for each joint

**Z 994 113**  
T-bracket set, as above,  
for connection to sash profiles  
such as B 510 240

**Z 994 091**  
T-bracket set, as above,  
for connection to fixed frames  
such as B 510 100/140

**Z 994 092**  
T-bracket for cross joint  
with profile P 510 312

**Z 994 117**  
T-bracket for T-joint  
with profile P 510 312

**Z 911 265**  
Screw 5.5 x 33,  
required for sash transom  
in case of 24 mm glazing,  
in combination with plastic  
profile K 910 044

**Z 911 386**  
Screw 5.5 x 39,  
required for sash transom  
in case of 28 mm glazing,  
in combination with plastic  
profile K 910 038

**Z 907 686**  
EPDM rubber clip piece, black,  
for cover profile P 410 605,  
length = 50 mm,  
can be inserted at intervals  
of 250 mm