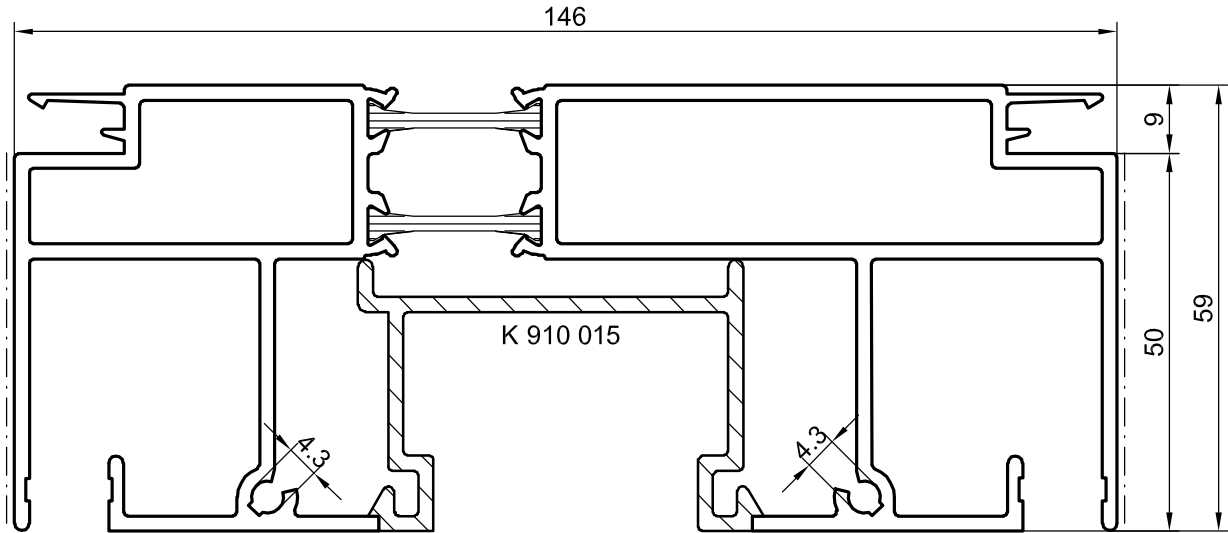
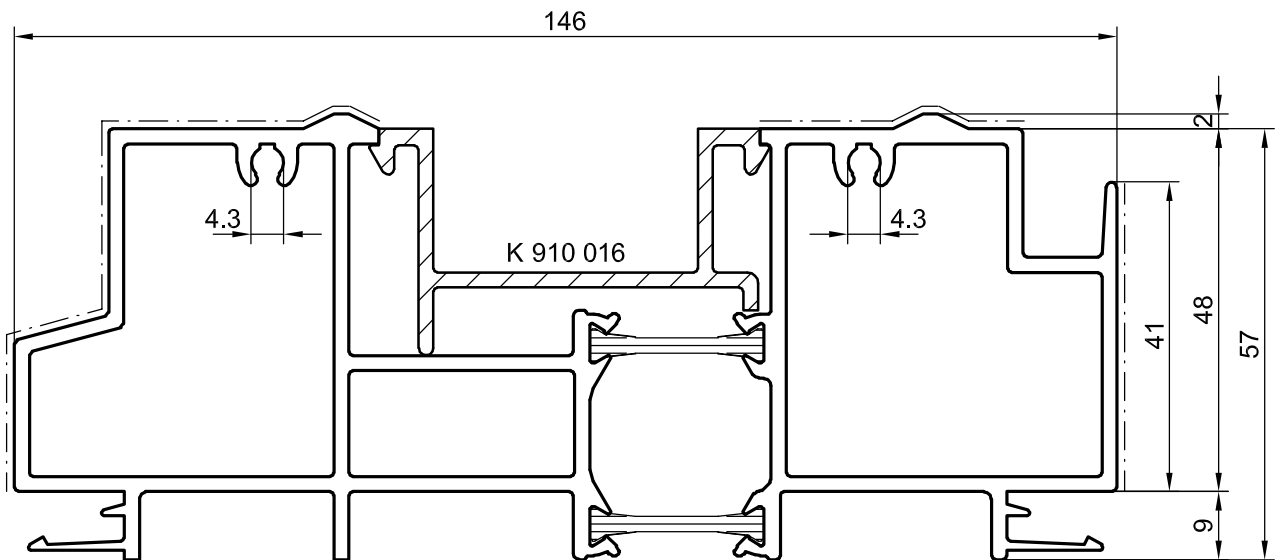


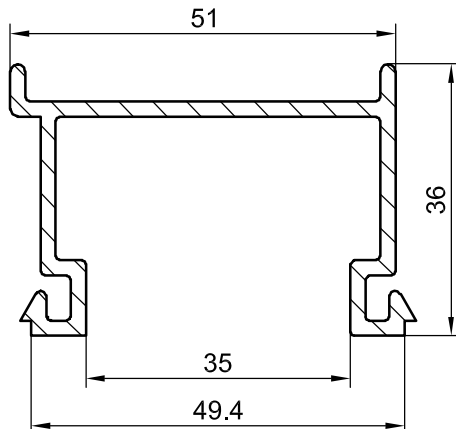
B 556181



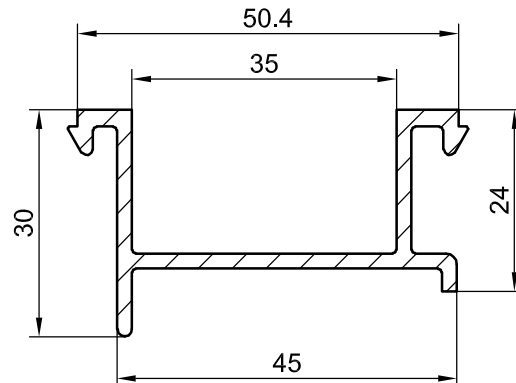
B 556180



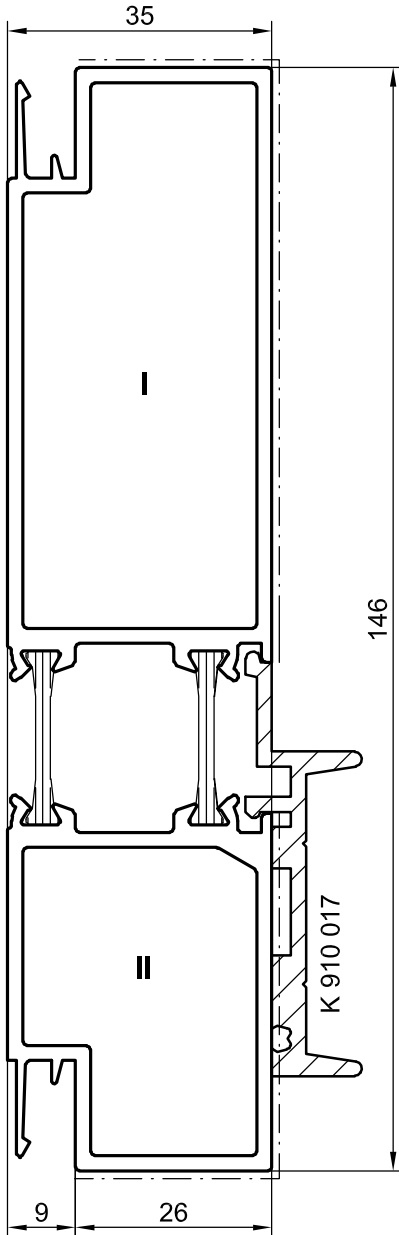
K 910 015



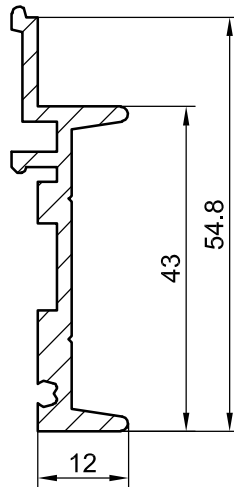
K 910 016



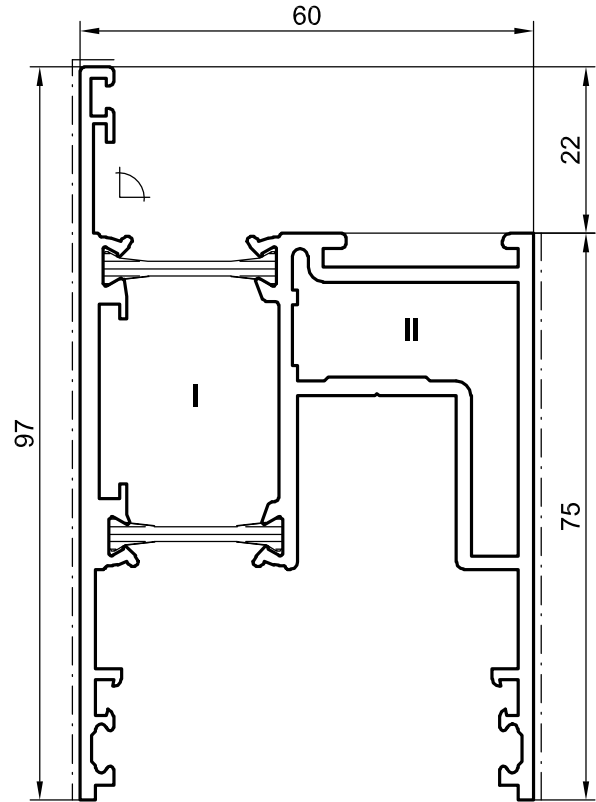
B 556182



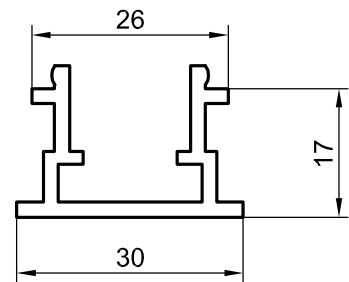
K 910 017



B 556280



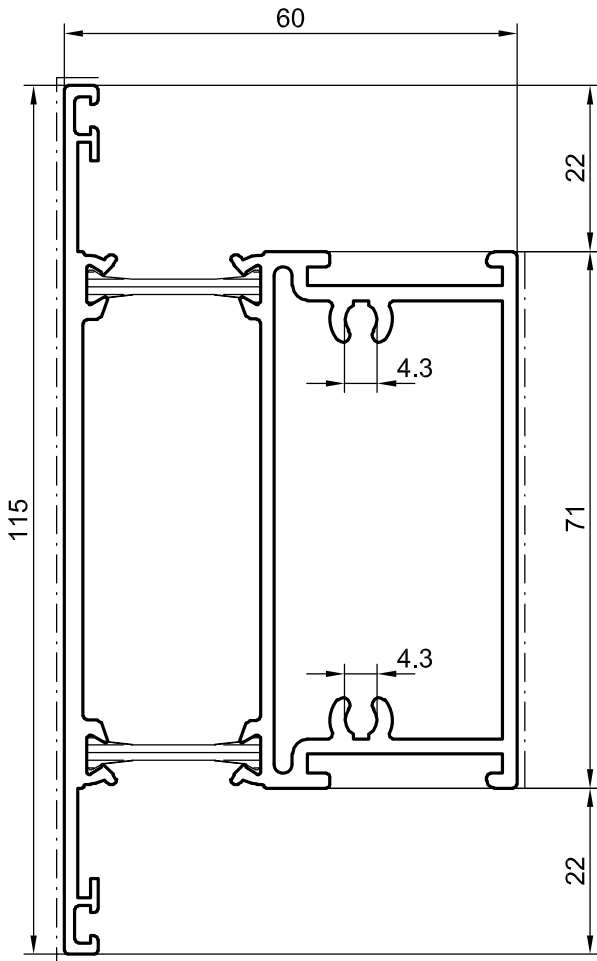
P 452 672



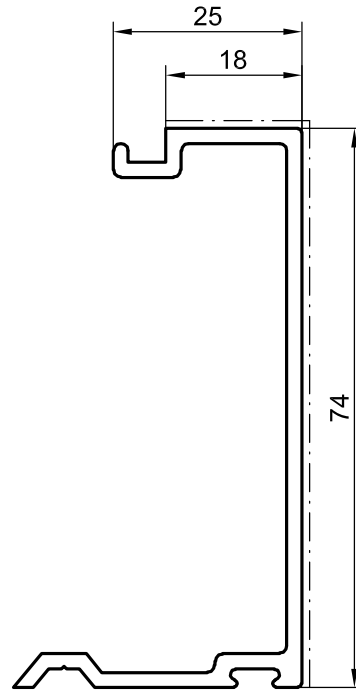
Only for sliding elements

crimpable available retro gluing after assembly	Outer chamber I					Inner chamber II					
B 556 182	-	Z 992 133	Z 905 395	2 x Z 900 023	Z 903 233	-	Z 992 132	-	Z 905 395	2 x Z 900 023	Z 903 233
B 556 280	Z 911 180 Z 903 460	Z 905 888	-	-	-	-	Z 992 116	-	Z 905 394	2 x Z 900 023	Z 903 233

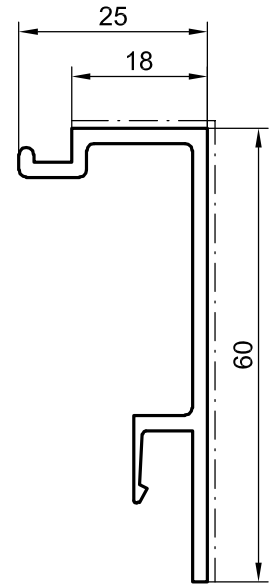
B 556380



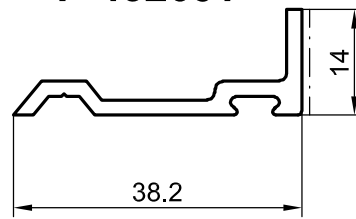
P 452680



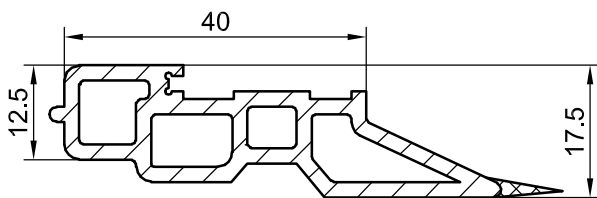
P 452682



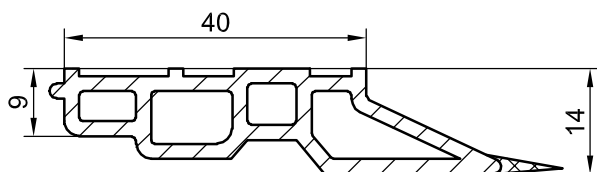
P 452681



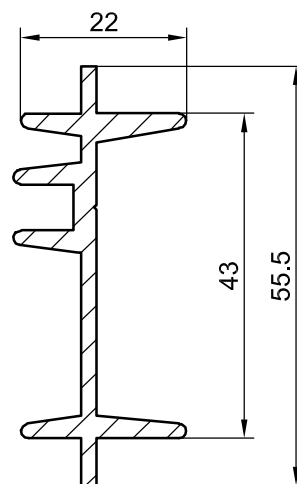
K 910 018



K 910 019



K 910 020



K 910 021

