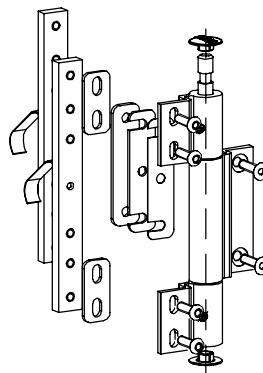
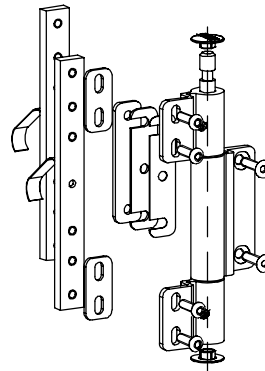
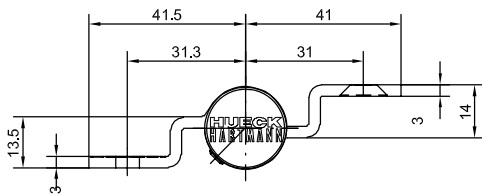
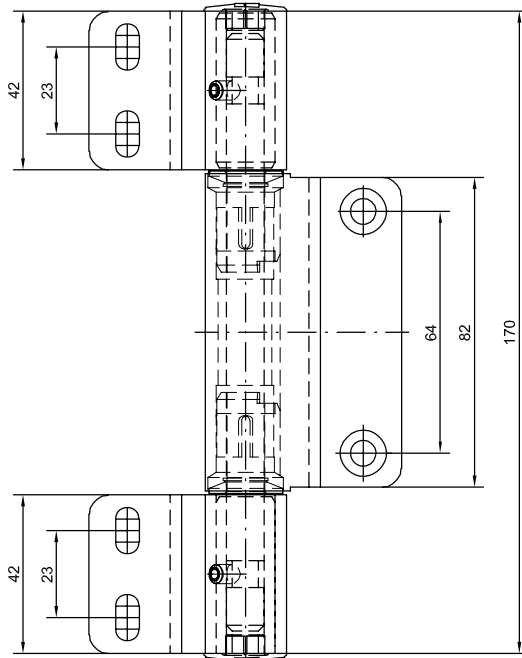


Barrel hinges made of aluminium and steel, for doors opening in  
Adjustment range: horizontal = max. - 2.5 mm; vertical =  $\pm 3$  mm  
in accordance with EN 1935; Classification key:

4	7	7	*	1	4	1	14	Alu
4	7	7	1	1	4	1	14	St / ER

Processing and assembling drawing: Register 700

Door-Series



**Please note!**

Upon request, all door hinges can be supplied for special painting!

**Z 994 920 02** silver painted  
**Z 994 920 64** white coated

**Barrel hinge • Steel**

three-part,  
for doors opening in,  
Pivoting point = 12.5 mm  
complete, including accessory set  
PU = 1 item

**Z 994 920 31**

**Barrel hinge • Stainless steel**

three-part,  
for doors opening in,  
Pivoting point = 12.5 mm  
complete, including accessory set  
PU = 1 item

**Z 994 921 02** silver painted  
**Z 994 921 64** white coated

**Barrel hinge • Aluminium**

three-part,  
for doors opening in,  
Pivoting point = 12.5 mm  
complete, including accessory set  
PU = 1 item

**Z 994 929 66.0003**

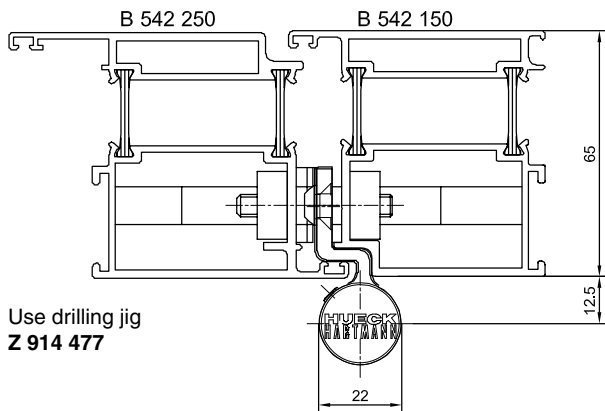
Accessory set height adjustment,  
for barrel hinges mentioned above,  
including:

Level adjustment trestle and  
threaded pin, 1 required per sash  
PU = 1 item



**Z 994 949**

Accessory set spacer plates,  
thickness 0.5 mm,  
for correction of recess joint  
**Please order separately!**  
PU = 10 items



Use drilling jig  
**Z 914 477**

2.1 EU

•

•

•

•

•

PU = Packing unit

Barrel hinges made of aluminium and steel, for doors opening out  
Adjustment range: horizontal = max. - 2.5 mm; vertical =  $\pm 3$  mm  
in accordance with EN 1935; Classification key:

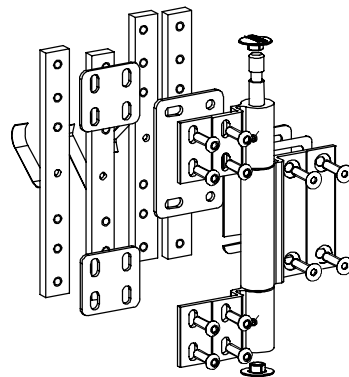
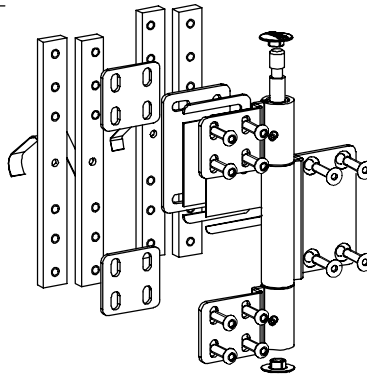
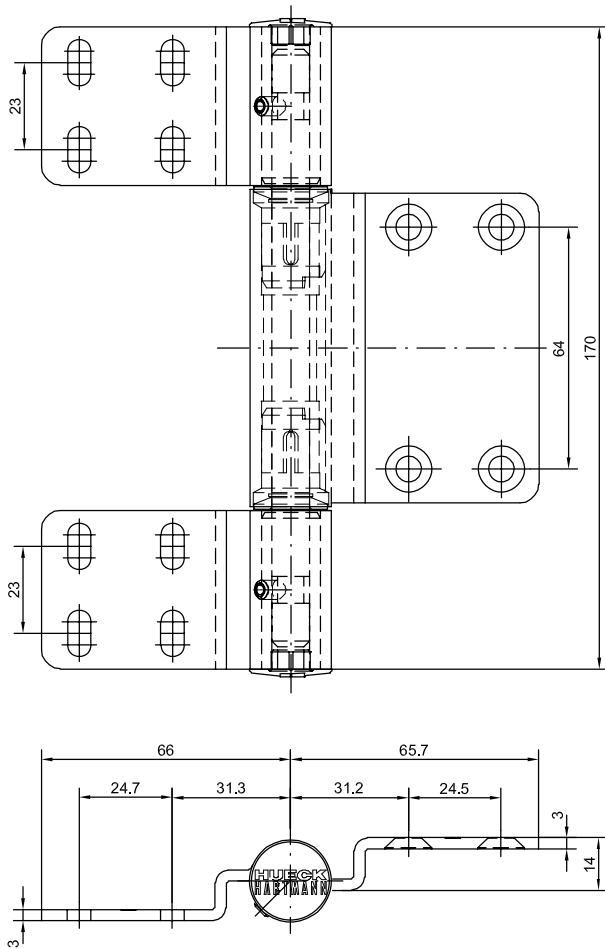
4	7	7	*	1	4	1	14	Alu
4	7	7	1	1	4	1	14	St / ER

Processing and assembling drawing: Register 700

Door-Series

**Please note!**  
Upon request, all door hinges can be supplied for special painting!

2.1 EU



**Z 994 922 02** silver painted  
**Z 994 922 64** white coated

**Barrel hinge • Steel**

three-part,  
for doors opening out,  
Pivoting point = 12.5 mm  
complete, including accessory set  
**PU** = 1 item

**Z 994 922 31**

**Barrel hinge • Stainless steel**

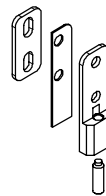
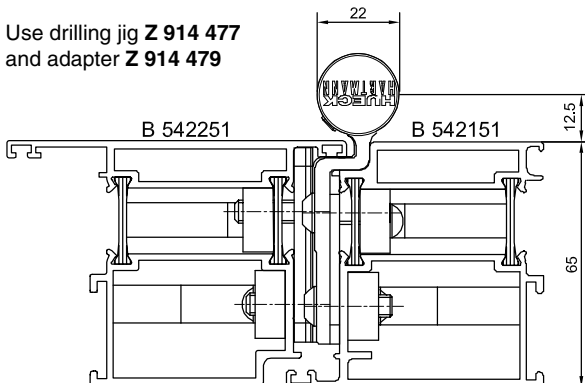
three-part,  
for doors opening out,  
Pivoting point = 12.5 mm  
complete, including accessory set  
**PU** = 1 item

**Z 994 923 02** silver painted  
**Z 994 923 64** white coated

**Barrel hinge • Aluminium**

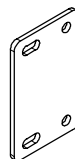
three-part,  
for doors opening out,  
Pivoting point = 12.5 mm  
complete, including accessory set  
**PU** = 1 item

Use drilling jig **Z 914 477**  
and adapter **Z 914 479**



**Z 994 930 66.0003**

Accessory set height adjustment,  
for barrel hinges mentioned above,  
including: Level adjustment trestle,  
threaded pin and spacer plates,  
1 required per sash  
**PU** = 1 item



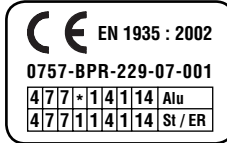
**Z 994 948**

Accessory set spacer plates,  
thickness 0.5 mm,  
for correction of recess joint  
**Please order separately!**  
**PU** = 10 items

**PU** = Packing unit

Barrel hinges made of aluminium and steel, for doors opening in and out  
 Adjustment range: horizontal = max. - 2.5 mm; vertical =  $\pm 3$  mm  
 in accordance with EN 1935; classification code:

Processing and assembling drawing: Register 700



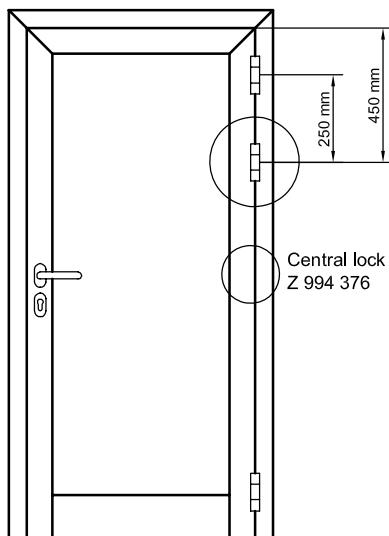
\* = Must be proved separately  
 ER = Stainless steel

Bearing capacity of **aluminium** door hinges / depending on the hinge type / max. weight recommended max. sash dimensions, depending on the sash weight / width x height

Profiles	Weight inwards		Weight outwards		Sash size
	2 door hinges	3 door hinges	2 door hinges	3 door hinges	
B 542150/151/650	max. 90 kg	max. 120 kg	max. 70 kg	max. 100 kg	1300 x 2200 mm
B 542108/112/301/302	max. 90 kg	max. 120 kg	max. 70 kg	max. 100 kg	1100 x 2300 mm
B 542100/102/104 etc.	max. 70 kg	max. 100 kg	max. 50 kg	max. 70 kg	1100 x 2300 mm

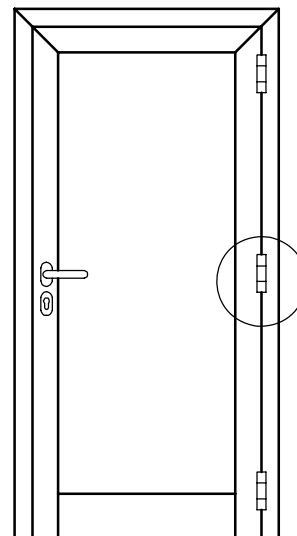
Bearing capacity of **steel and stainless steel** door hinges / depending on the hinge type / max. weight recommended max. sash dimensions, depending on the sash weight / width x height

Profiles	Weight inwards		Weight outwards		Sash size
	2 door hinges	3 door hinges	2 door hinges	3 door hinges	
B 542150/650	max. 150 kg		max. 100 kg	max. 150 kg	1300 x 2200 mm
B 542150/151/650/651	max. 150 kg		max. 100 kg	max. 150 kg	1300 x 2200 mm



A third door hinge **must** be inserted depending on the sash weight, -> see table

In case of heavy use we recommend inserting a third door hinge. The third door hinge must be inserted **450 mm** from the upper edge of the sash!



On account of the bi-metal effect we **recommend** inserting a third door hinge or the central lock **Z 994 376**.

In case of the **WK 3** design, a third door hinge is always required!