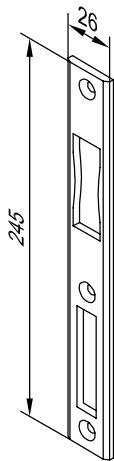
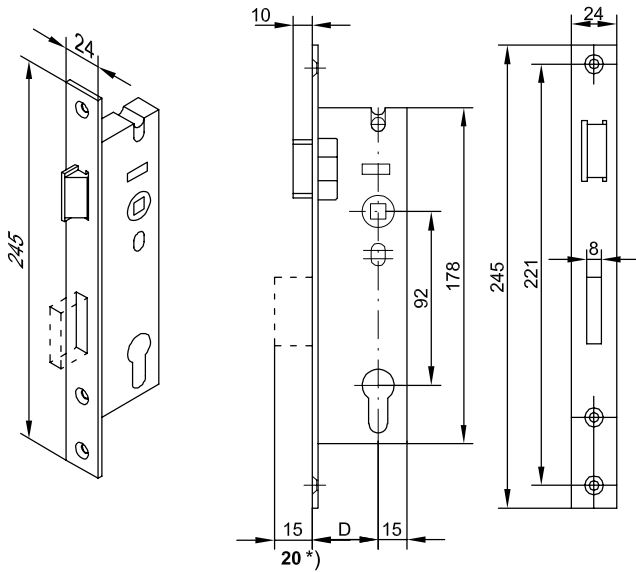


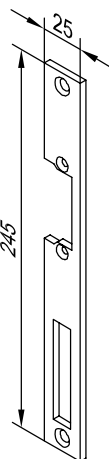
Mortise locks with 8 mm spindle hole, designated for profile cylinder,  
with suitable strike plates, all strike plates including fixing screws

Processing and assembling drawing: Register 700

Door-Series



Z 994 012 02/64



Z 994 013 02/64

**Z 911 286**

Mortise lock with rustproof front plate, 35 mm backset, single-turn, bolt throw 15 mm (with change-over), 8 mm spindle hole, designated for profile cylinder, suitable for left and right due to reversible latch bolt, lock case and all inner parts galvanized

**Z 911 287**

Mortise lock similar as above, however with galvanized front plate

**Z 911 156 \*)**

Mortise lock with rustproof front plate, 35 mm backset, single-turn, bolt throw 20 mm \*), bolt with 2 loosely attached hardened steel pins against sawing off (with change-over), 8 mm spindle hole, designated for profile cylinder, suitable for left and right due to reversible latch bolt, lock case and all inner parts galvanized

**Z 994 012 02**

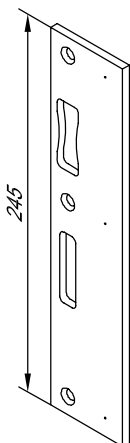
**Z 994 012 64**

Strike plate made of aluminium

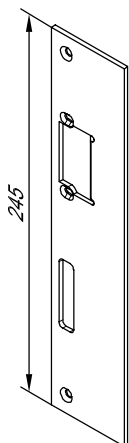
**Z 994 013 02**

**Z 994 013 64**

Strike plate made of aluminium, designated for electric door opener Z 904 269 / 286, Z 912 340 / 341 or insert piece Z 904 290



Z 993 615 31



Z 993 616 31



Z 993 617 31

**Z 993 615 31**

Strike plate, made of Niro, for doors opening out

**Z 993 616 31 DIN L**

**Z 993 617 31 DIN R**

Strike plate, made of Niro, for doors opening out, designated for electric door opener Z 904 269 / 286, Z 912 340 / 341

2.1 EU

•

•

•

•

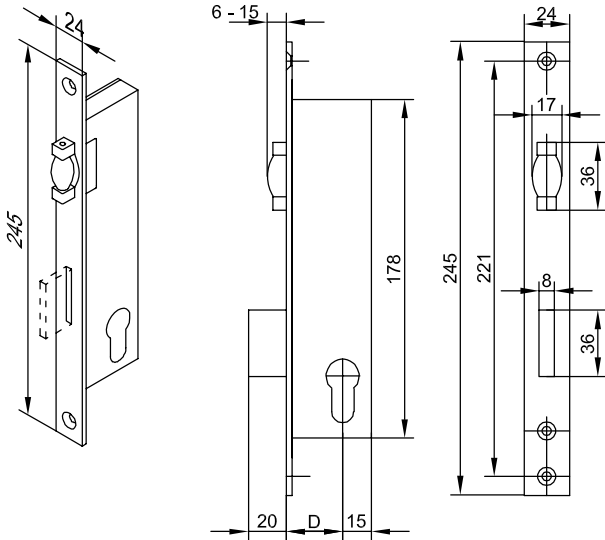
•

•

•

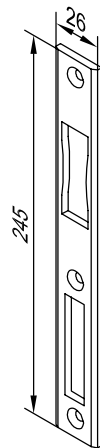
Mortise lock with adjustable roller latch, designated for profile cylinder, with suitable strike plates, all strike plates including fixing screws

## Door-Series



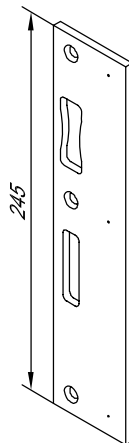
### Z 911 159

Mortise lock with rustproof front plate, 35 mm backset, single-turn, with adjustable roller latch, bolt throw **20 mm**, bolt with 2 loosely attached hardened steel pins against sawing off (with change-over), lock case and all inner parts galvanized



### Z 994 012 02 Z 994 012 64

Strike plate made of aluminium



### Z 993 615 31

Strike plate made of Niro, for doors opening **out**

2.1 EU

•

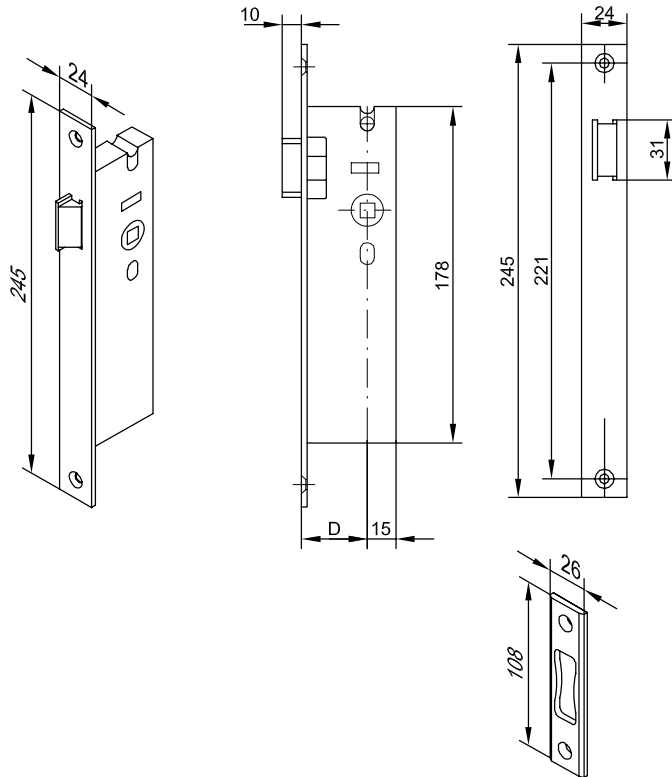
•

•

Latch with 8 mm spindle hole, for doors not intended for locking,  
with suitable strike plates, all strike plates including fixing screws

Processing and assembling drawing: Register 700

Door-Series



**Z 911 157**

Latch with rustproof front plate,  
35 mm backset, single-turn,  
without bolt,  
8 mm spindle hole,  
suitable for left and right due  
to reversible latch bolt,  
lock case and all inner parts galvanized

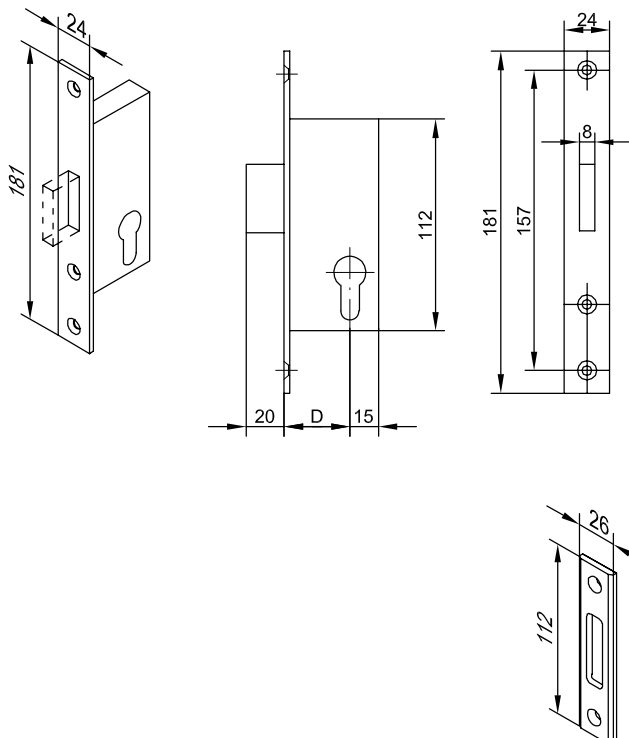
**Z 994 164 02**

**Z 994 164 64**

Strike plate made of aluminium

Bolt locks, designated for profile cylinder,  
with suitable strike plates, all strike plates including fixing screws

Processing and assembling drawing: Register 700



**Z 911 158**

Bolt lock with rustproof front plate,  
35 mm backset, single-turn,  
bolt throw **20 mm**,  
bolt with 2 loosely attached hardened  
steel pins against sawing off  
lock case and all inner parts galvanized

**Z 994 017 02**

**Z 994 017 64**

Strike plate made of aluminium

2.1 EU

•

•

•

•