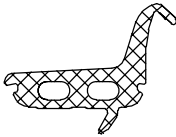
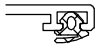
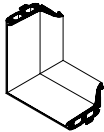
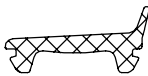
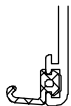
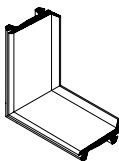
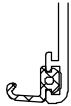
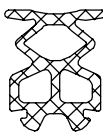
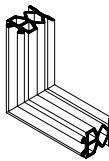

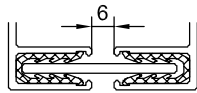

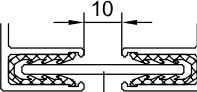

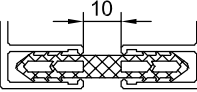


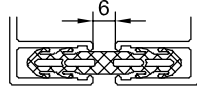

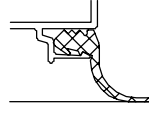
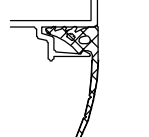
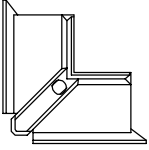
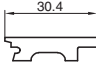
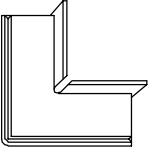

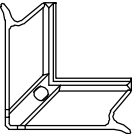
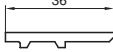

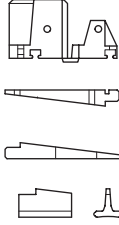




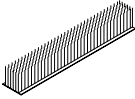
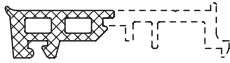
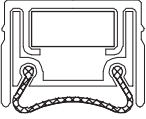



System-dependent accessories
HUECK Series 2.1 EU

		Series			Series
		2.1 EU			2.1 EU
	Z 905 800 22 Centre seal gasket, suitable for all fixed frames and transom profiles	•		Z 914 081 22 Rebate gasket, for pivoting sash, inside fixed frame and P 552 601	•
	Z 905 801 Shaped gasket piece, vulcanised, suitable for centre seal gasket Z 905 800 , for use in fixed frame for mitre and transom joints, leg length 55 mm	•		Z 905 939 22 Cover gasket, horizontal, for the lower fixed frame of pivoting sash made of EPDM, black	•
	Z 907 144 22 Rebate gasket, internal, for sash profiles, made of EPDM, black	•		Z 905 940 Vulcanized corner, suitable for cover gasket, leg length = 150 mm	•
	Z 907 423 Rebate gasket, internal, for sash profiles, made of silicone, white	•		Z 905 795 22 Pressure plate glazing gasket, made of EPDM, black for pivoting sashes	•
				Z 905 796 Vulcanized corner, suitable for cover gasket Z 905 795 , leg length = 60 mm	•

		Series			Series
		2.1 EU			2.1 EU
	<p>Z 911 081 22 Glazing gasket -external- made of EPDM, black, 4 mm spacer, for all sash profiles, fixed frame profiles and transom profiles</p>	•		<p>Z 904 107 22 Expansion gasket, made of EPDM, black, suitable for expansion profiles for housing a material thickness of 2 – 3 mm, e.g. P 496 100</p>	•
	<p>Z 911 079 22 Glazing gasket -internal- made of EPDM, black, for gap dimensions between 4 and 7 mm, can be used with glazing gaskets -external- in accordance with the glazing table</p>	•	 P 496100	<p>The indicated average assembly distance 6 or 10 mm allows for a compensation of movement of ± 3 mm. If cladding sheets are used, 33 mm must be added to the average assembly distance.</p>	
	<p>Z 911 108 22 Glazing gasket -internal- made of EPDM, black, for gap dimensions between 5.5 and 8 mm, can be used with glazing gaskets -external- in accordance with the glazing table</p>	•		<p>Z 904 126 22 Expansion gasket, made of EPDM, black, suitable for expansion profiles with accommodating channel, as above</p>	•
	<p>Z 911 078 22 Glazing gasket -internal- made of EPDM, black, for gap dimensions between 6.5 and 9 mm, can be used with glazing gaskets -external- in accordance with the glazing table</p>	•		<p>If an expansion profile is used, the required static values for the individual profiles must be observed!</p>	
	<p>Z 911 080 22 Glazing gasket -internal- made of EPDM, black, for gap dimensions between 7.5 and 10.5 mm, can be used with glazing gaskets -external- in accordance with the glazing table</p>	•		<p>Z 911 577 22 Expansion gasket, made of EPDM, black, suitable for expansion profiles with accommodating channel, as above</p>	•
	<p>Z 902 161 Gasket cord, EPDM, black, for sealing the outer snap-on profiles</p>	•		<p>If an expansion profile is used, the required static values for the individual profiles must be observed!</p>	
				<p>Z 904 088 Connecting gasket (plaster joint), made of EPDM, black, 35 mm wide, with notch for tearing off, for frame profiles with pick-up for snap-on profile</p>	•
				<p>Z 904 303 22 Connecting gasket, similar to Z 904 088, but 45 mm wide, without notch for tearing off, for frame profiles with pick-up for snap-on profile</p>	•
				<p>Z 909 876 22 Connecting gasket, made of EPDM, light grey, 30 mm wide, with notch for tearing off, for frame profiles with pick-up for snap-on profile</p>	•

		Series				Series	
		2.1 EU				2.1 EU	
	<p>Z 911 615 Corner strengthening piece for glass support webs if fixed frame profiles are used, with guide groove for sealing material Z 912 717 for sealing the mitre joints</p>	•		<p>Z 905 381 Glazing bridge, required correspondingly for 2.1 fixed frames, transom and bottom rail profiles B 542 100/300/500</p>	•		
	<p>Z 911 616 Corner strengthening piece for stabilising the sash lap over the frame, 4 required</p>	•		<p>Z 905 882 Glazing bridge, required correspondingly for 2.1 sash frames B 542 220/221/206</p>	•		
	<p>Z 911 585 Corner strengthening piece for glass support webs if profiles such as B 542 206 / 220 / 221, are used, with guide groove for sealing material Z 912 717 for sealing the mitre joints</p>	•		<p>Z 908 487 Glazing bridge, required correspondingly for 2.1 sash frames B 542 230</p>	•		

		Series			Series
Accessories for doors		2.1 EU	Accessories for doors		2.1 EU
	Z 911 025 22 Rebate gasket, for door profiles, made of EPDM, black	•		Z 994 127 Accessory set, plastic guide pieces and chamber gaskets, for a single-sash door 1 required	•
	Z 912 028 22 Threshold gasket, 10 mm high, made of EPDM, black	•		Z 994 128 Accessory set, plastic guide pieces and chamber gaskets, for a double-sash door 1 required	•
	Z 912 029 22 Threshold gasket, 11 mm high, made of EPDM, black	•		Z 994 887 Accessory set, plastic guide pieces and chamber gaskets, for a door with continuous sash 1 required	•
	Z 906 627 Woven pile weather strip for rebate door with independent swing outside, 10.8 mm high	•		Z 911 518 22 Lateral filler profile, required for use with doors with side light with fixed glazing, in combination with profile P 421 668	•
Ground seal for single-sash doors, released on hinge side, can be shortened by 50 mm at sash width 500 mm, can be shortened by 100 mm from sash width 600 mm against the release side				Z 912 499 22 Cover profile, made of EPDM, black, suitable for use with threshold profiles B 542 665	•
	Gasket length	Art. no.			
	500 mm (FB max. 522 mm)	Z 998 060	•		
	600 mm (FB max. 622 mm)	Z 998 061	•		
	700 mm (FB max. 722 mm)	Z 998 062	•		
	800 mm (FB max. 822 mm)	Z 998 063	•		
	900 mm (FB max. 922 mm)	Z 998 064	•		
	1000 mm (FB max. 1022 mm)	Z 998 065	•		
	1100 mm (FB max. 1122 mm)	Z 998 066	•		
	1200 mm (FB max. 1222 mm)	Z 998 067	•		
	1300 mm (FB max. 1322 mm)	Z 998 068	•		
	1400 mm (FB max. 1422 mm)	Z 998 069	•		
	Z 913 229 Replacement gasket for ground seal Z 998 060 - Z 998 069 length = 25 m	•			
	Z 994 426 Accessory set for ground seal, containing of : fixing material for 1 door sash	•			