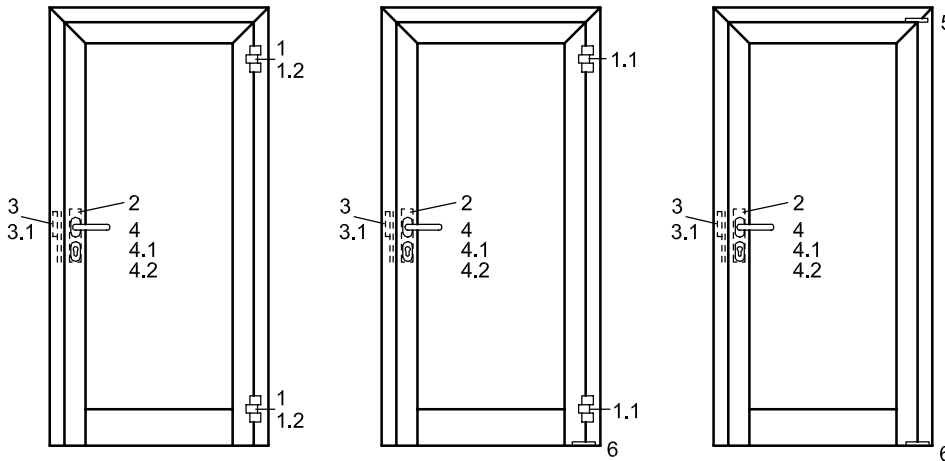


Fitting variants for door systems:

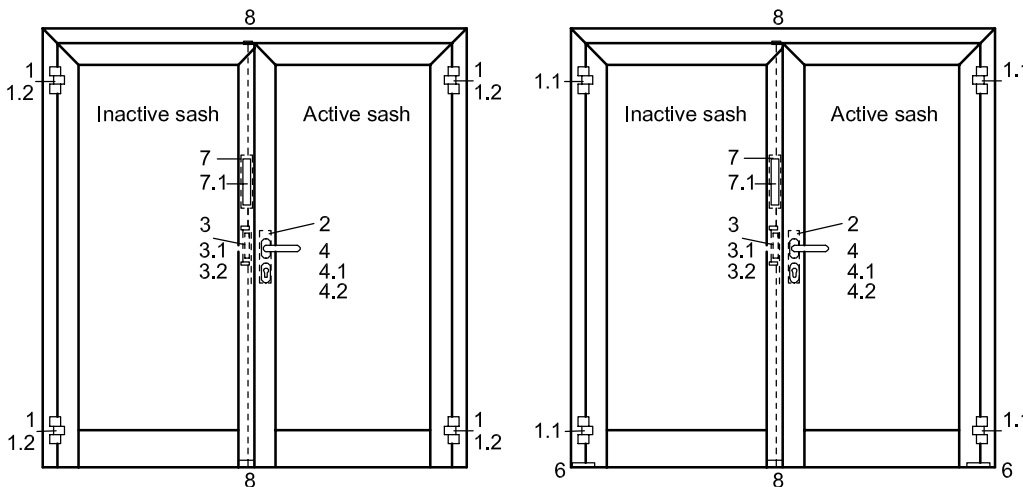
Locks with 8 mm square pin and door handles with 8 mm square without emergency exit or anti-panic function

Inside views



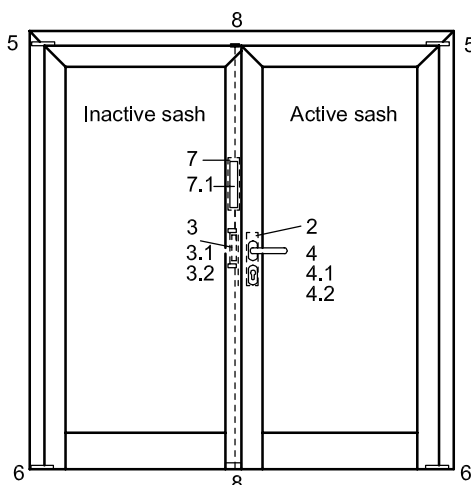
Standard door element

- 1 Supplementary door hinge, 20 mm
- 1.1 Supplementary door hinge, 36 mm
- 1.2 Barrel hinge
- 2 Mortise lock
- 3 Strike plate
- 3.1 Strike plate for electric opener
- 4 Handle
- 4.1 Push grip
- 4.2 Push bar
- 5 Top pivot
- 6 Bottom door closer/ pivot bearing



Standard door element

- 1 Supplementary door hinge, 20 mm
- 1.1 Supplementary door hinge, 36 mm
- 1.2 Barrel hinge
- 2 Mortise lock
- 3 Strike plate
- 3.1 Strike plate for electric opener
- 3.2 Coupling piece for operating rod / electric opener
- 4 Handle
- 4.1 Push grip
- 4.2 Push bar
- 5 Top pivot
- 6 Bottom door closer/ pivot bearing
- 7 Flush bolt
- 7.1 Exposed espagnolette bolt
- 8 Locking parts



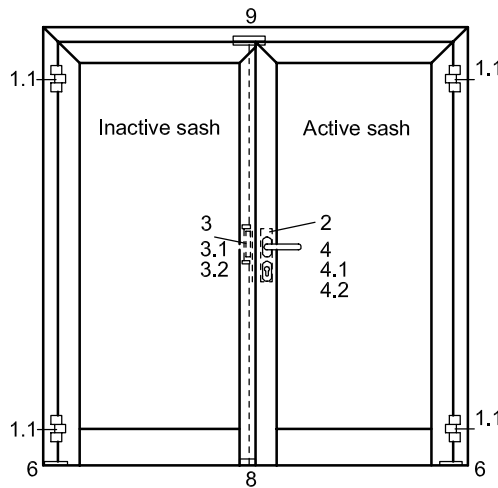
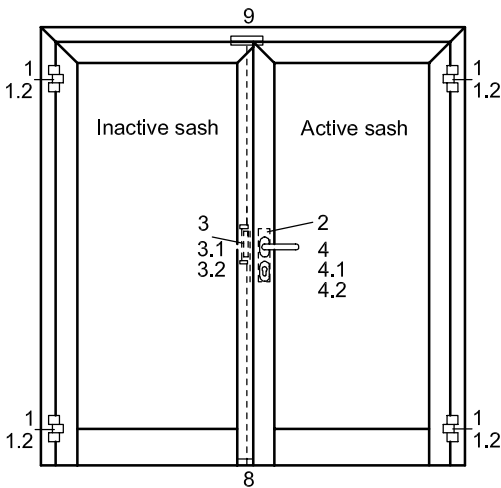
Standard door element

- 2 Mortise lock
- 3 Strike plate
- 3.1 Strike plate for electric opener
- 3.2 Coupling piece for operating rod / electric opener
- 4 Handle
- 4.1 Push grip
- 4.2 Push bar
- 5 Top pivot
- 6 Bottom door closer/ pivot bearing
- 7 Flush bolt
- 7.1 Exposed espagnolette bolt
- 8 Locking parts

Fitting variants for door systems:

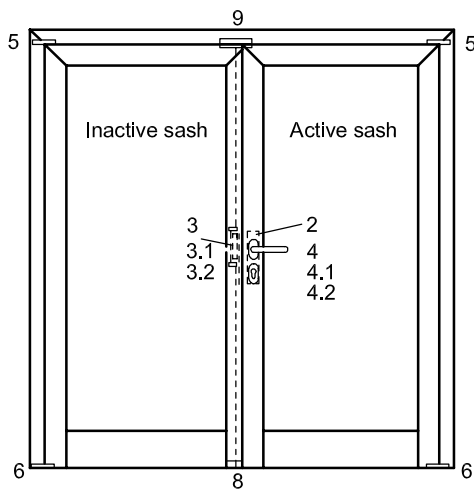
Locks with 8 mm square pin and door handles with 8 mm square without emergency exit or anti-panic function

Inside views



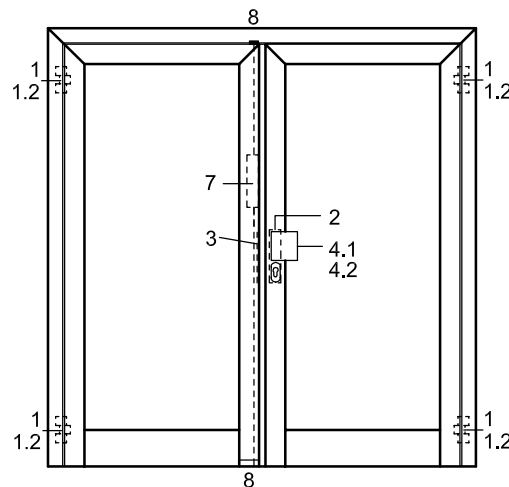
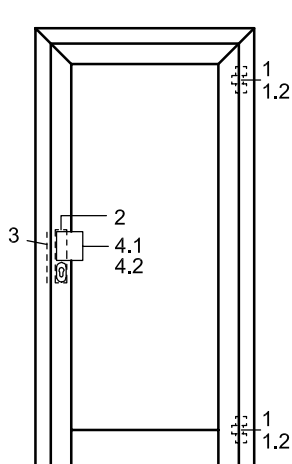
Standard door element with ECO dual catch, opening in only

- 1 Supplementary door hinge, 20 mm
- 1.1 Supplementary door hinge, 36 mm
- 1.2 Barrel hinge
- 2 Mortise lock
- 3 Strike plate
- 3.1 Strike plate for electric opener
- 3.2 Coupling piece for operating rod / electric opener
- 4 Handle
- 4.1 Push grip
- 4.2 Push bar
- 5 Top pivot
- 6 Bottom door closer/ pivot bearing
- 9 ECO dual catch, opening in only



Standard door element with ECO dual catch, opening in only

- 2 Mortise lock
- 3 Strike plate
- 3.1 Strike plate for electric opener
- 3.2 Coupling piece for operating rod / electric opener
- 4 Handle
- 4.1 Push grip
- 4.2 Push bar
- 5 Top pivot
- 6 Bottom door closer/ pivot bearing
- 9 ECO dual catch, opening in only



Rebate door with independent swing outside

- 1 Supplementary door hinge, outwards
- 1.2 Barrel hinge, outwards
- 2 Mortise lock
- 3 Strike plate
- 4.1 Push grip
- 4.2 Push bar
- 7 Flush bolt
- 8 Locking parts