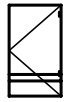


## **Series A72 Door**

**Door construction in  
entirely aluminium design**

<b>Information on the Series*</b>	<b>Design features</b>	<ul style="list-style-type: none"> <li>• Various design possibilities for doors, partitions and porches</li> <li>• Max. sash weight 170 kg</li> <li>• Max. sash sizes 1300 mm wide x 2200 mm high or 1100 mm wide x 2300 mm high</li> <li>• Can be coated at a later time without restrictions</li> <li>• Numerous easy to mount wall connecting variants</li> </ul>
	<b>Modular system</b>	<ul style="list-style-type: none"> <li>• System components suitable for all the series: fittings, accessories, supplementary profiles, auxiliary accessories, tools</li> <li>• Series 1.0 Door, 1.0 Door Contour, A 72, RS C and BS C with identical optics: identical with regard to elevation width, gap dimension, gaskets and glass bite</li> </ul>
	<b>Surfaces</b>	<ul style="list-style-type: none"> <li>• Anodisation in accordance with DIN 17611</li> <li>• Plastic coating (wet paint, powder coating lacquer) in accordance with DIN 50939</li> </ul>
	<b>Connecting technology</b>	<ul style="list-style-type: none"> <li>• Corner bracket: crimpable, nailable, retro gluing after assembly</li> <li>• T-bracket for fixed frame and transom joints</li> </ul>
	<b>Elevation width</b>	<ul style="list-style-type: none"> <li>• Narrow elevation width of fixed and sash frame from 137.5 mm</li> </ul>
	<b>Profile depth</b>	<ul style="list-style-type: none"> <li>• Fixed frame: 45 mm, Sash: 45 mm</li> </ul>
	<b>Glazing</b>	<ul style="list-style-type: none"> <li>• Glass thickness between 5 mm and 26 mm depending on the sash profile</li> <li>• Optionally round or angular glazing beads</li> </ul>
	<b>Gaskets</b>	<ul style="list-style-type: none"> <li>• Glazing/rebate gasket: narrow elevation widths on inside and outside, gaskets can be drawn in continuously</li> </ul>
	<b>Insert elements</b>	 <ul style="list-style-type: none"> <li>• One or two sashes</li> <li>• Opening in or out</li> </ul>
	<b>Fittings</b>	<ul style="list-style-type: none"> <li>• All common fitting variants</li> <li>• Barrel hinges out of aluminium, steel or stainless steel</li> <li>• Surface-mounted hinges out of aluminium</li> <li>• Dual locking system for automatic secondary leaf locking</li> </ul>
<b>Safety constructions</b>	<ul style="list-style-type: none"> <li>• Escape door systems: emergency exit locks in accordance with EN 179 and panic locks in accordance with EN 1125, door hinges in accordance with EN 1935</li> </ul>	

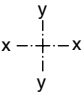
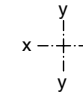
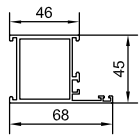
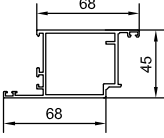
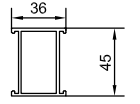
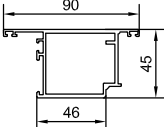
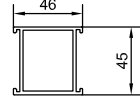
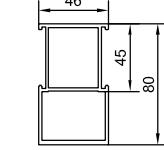
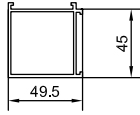
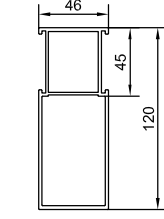
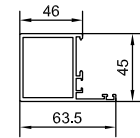
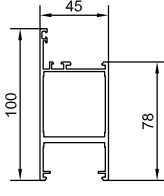
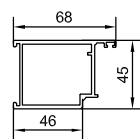
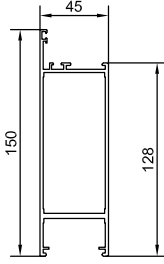
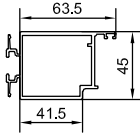
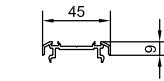
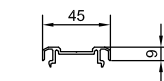
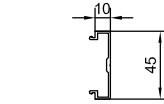
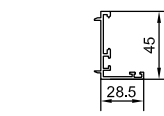
<b>Building physics*</b>	<b>Thermal insulation</b>	DIN V 4108-4	<b>U<sub>f,BW</sub> = 7.0 W/m<sup>2</sup>K</b>
		EN ISO 10077-2	<b>U<sub>f</sub> = 7.0 W/m<sup>2</sup>K</b>

\* All standards referred to herein, were valid at time of printing.

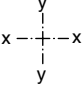
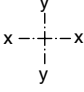
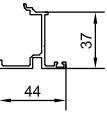
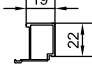
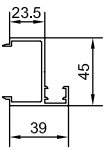
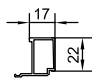
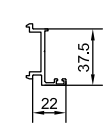
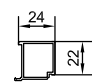
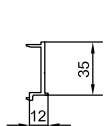
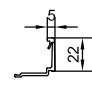
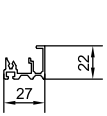
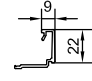
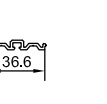
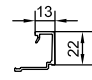
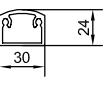
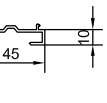
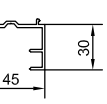
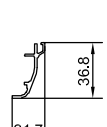
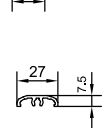

Valid test reports as well as technical information can be found in the download area of the site [www.hueck-hartmann.com](http://www.hueck-hartmann.com)

<b>Windows/Doors Europe</b>	
<b>Contents Series A72 Door</b>	<b>Page</b>
1. Contents	3
2. Profile overview   Static profile values	4 – 5
3. Profiles   Connections	7 – 10
• Corner bracket table	11
• Supplementary profiles	12
4. Glazing	
• Glazing beads and glazing bead tables	1 – 2
• Glazing bridges	3
5. Sections   Details	1 – 10

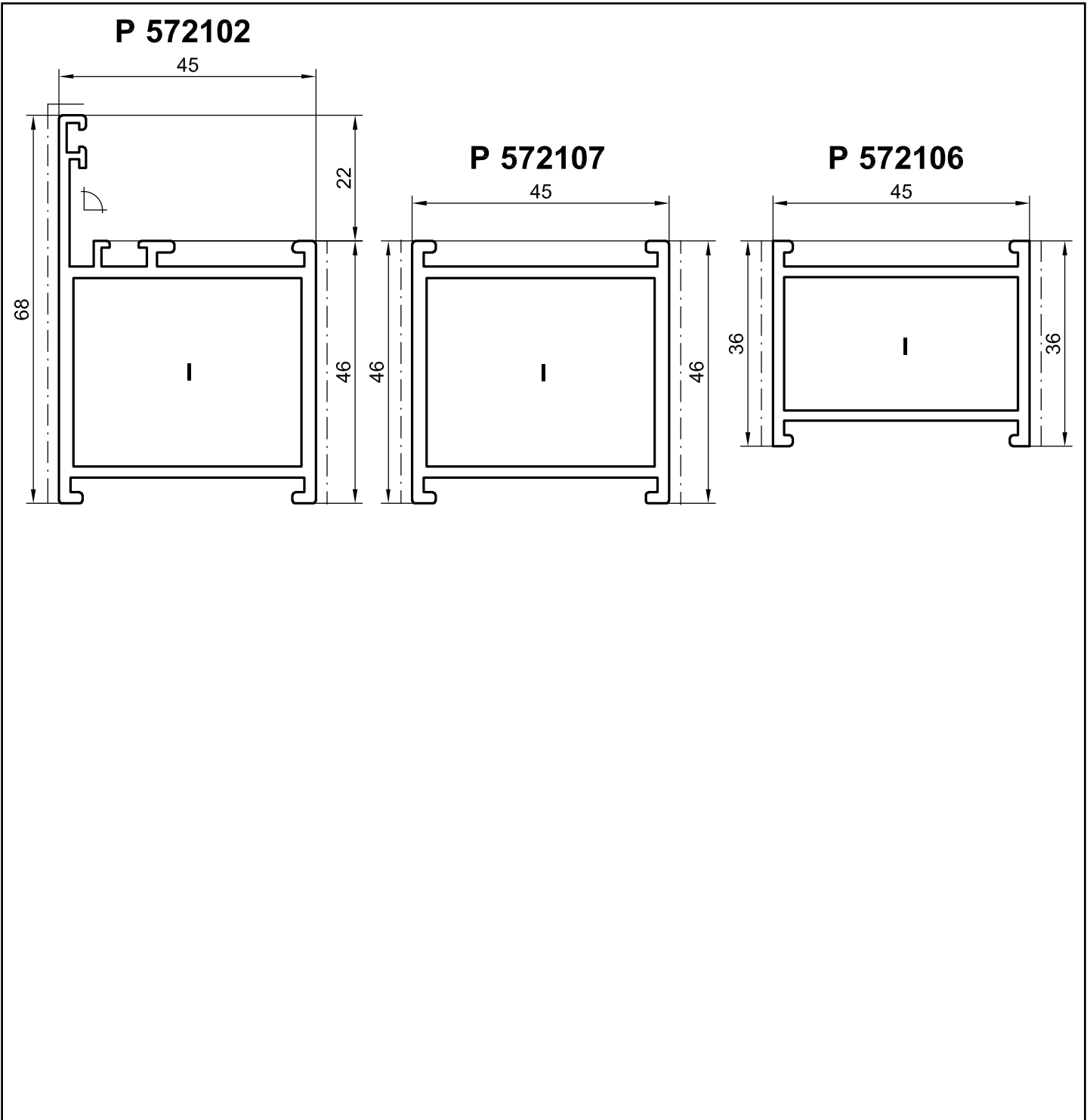
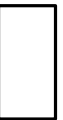
## Profile overview and static profile values for Series A72 Door





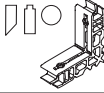
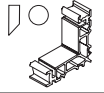
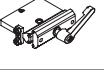





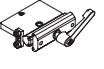


	Profile number	Horizontal axis		Vertical axis		Overall perimeter mm	Page A72 Door		Profile number	Horizontal axis		Vertical axis		Overall perimeter mm	Page A72 Door
		$J_x$ [cm <sup>4</sup> ]	$W_x$ [cm <sup>3</sup> ]	$J_y$ [cm <sup>4</sup> ]	$W_y$ [cm <sup>3</sup> ]					$J_x$ [cm <sup>4</sup> ]	$W_x$ [cm <sup>3</sup> ]	$J_y$ [cm <sup>4</sup> ]	$W_y$ [cm <sup>3</sup> ]		
	P572102	14.7	5.9	15.5	3.8	303	6		P572260	-	-	-	-	347	8
	P572106	9.0	4.0	4.1	2.3	195	6		P572261	-	-	-	-	347	8
	P572107	12.8	5.7	9.4	4.1	215	6		P572306	52.0	12.5	17.9	7.6	285	7
	P572108	12.4	4.9	12.4	4.9	231	7		P572307	133.4	21.4	25.2	10.9	365	7
	P572112	13.6	3.49	13.52	5.39	277	8		P572500	20.9	8.6	44.1	7.9	426	9
	P572160	-	-	-	-	259	8		P572501	30.0	12.6	161.7	19.5	526	9
	P572161	-	-	-	-	331	8		P472652	-	-	-	-	182	11
									P472653	-	-	-	-	181	11
									P472655	-	-	-	-	-	9
									P472657	-	-	-	-	224	9

## Profile overview glazing beads and supplementary profiles for Series A72 Door

	Profile number	Surface finishing: A minimum parameter of 130 mm is taken as the basis for calculation.					External perimeter excluding insulating zone	Page A72 Door		Profile number	Surface finishing: A minimum parameter of 130 mm is taken as the basis for calculation.					External perimeter excluding insulating zone	Page A72 Door Glazing
		-	-	-	-	-					-	-	-	-	-		
	<b>P472676</b>	-	-	-	-	-	238	11		<b>P594057</b>	-	-	-	-	-	109	1
	<b>P472677</b>	-	-	-	-	-	275	11		<b>P594058</b>	-	-	-	-	-	109	1
	<b>P472680</b>	-	-	-	-	-	176	11		<b>P594059</b>	-	-	-	-	-	110	1
	<b>P472681</b>	-	-	-	-	-	124	11		<b>P494071</b>	-	-	-	-	-	121	1
	<b>P472682</b>	-	-	-	-	-	176	11		<b>P494072</b>	-	-	-	-	-	131	1
	<b>P472683</b>	-	-	-	-	-	118	9		<b>P494073</b>	-	-	-	-	-	139	1
	<b>P472684</b>	-	-	-	-	-	101	9			-	-	-	-	-	-	
	<b>P572684</b>	-	-	-	-	-	180	9			-	-	-	-	-	-	
	<b>P472685</b>	-	-	-	-	-	292	9			-	-	-	-	-	-	
	<b>P472686</b>	-	-	-	-	-	136	11			-	-	-	-	-	-	
	<b>P472687</b>	-	-	-	-	-	95	11			-	-	-	-	-	-	
	<b>P497120</b>	-	-	-	-	-					-	-	-	-	-	-	

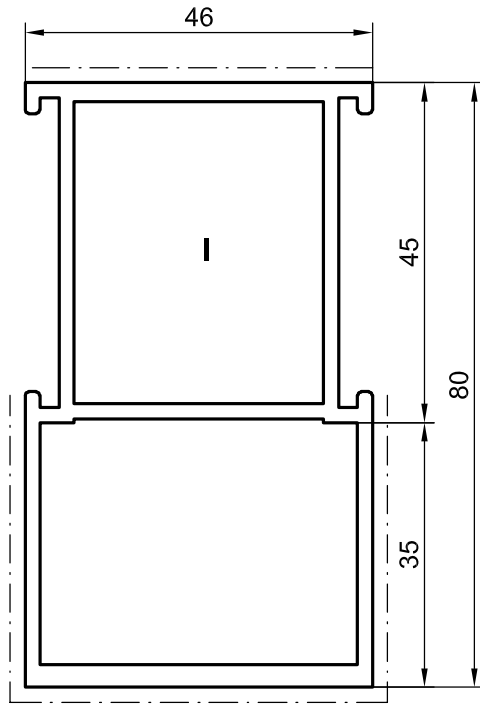




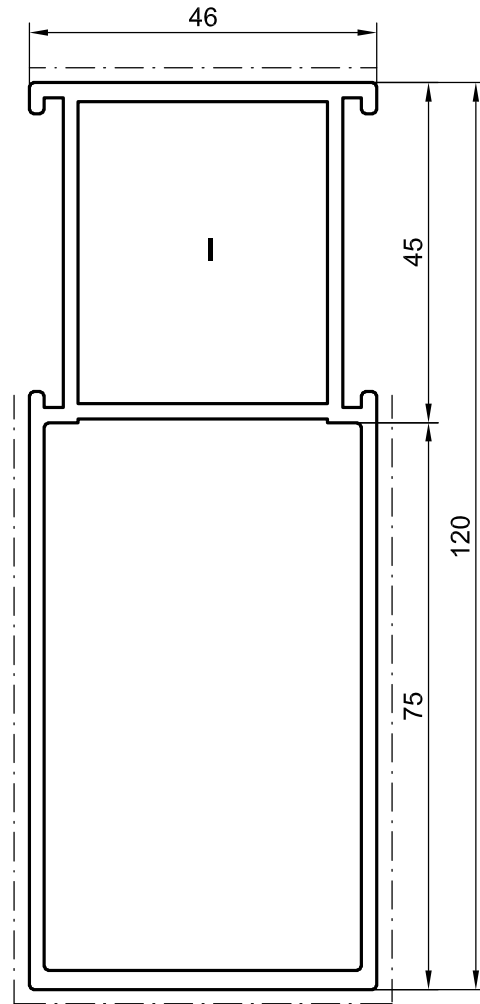
 crimpable  nailable  retro gluing after assembly	Chamber I					
						
P 572 106	Z 907 315	Z 912 326	Z 912 327	Z 908 551	2 x Z 900 023	Z 903 233
P 572 107	-	Z 912 328	Z 912 329	Z 908 551	2 x Z 900 023	Z 903 233
						
P 572 106	-	Z 908 936	-	Z 909 084	2 x Z 907 422	Z 911 187
P 572 107	-	Z 908 940	-	Z 909 084	2 x Z 907 422	Z 911 187



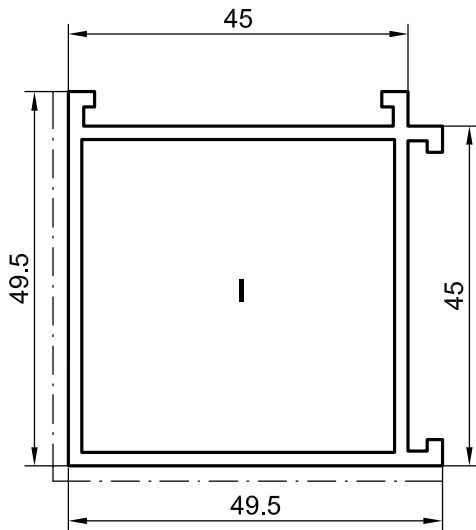
**P 572306**





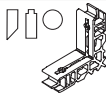
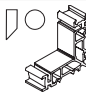









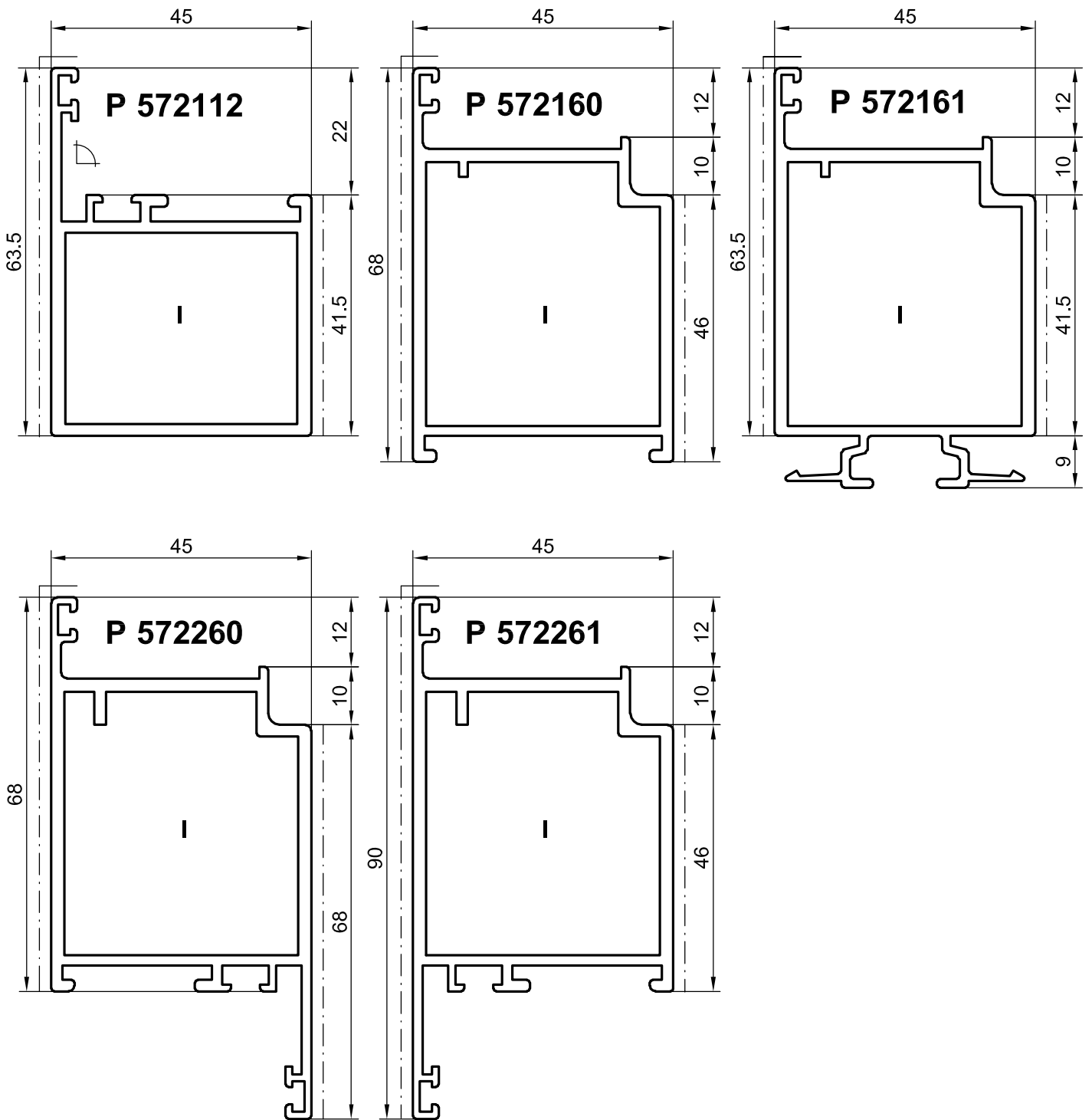
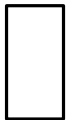
**P 572307**



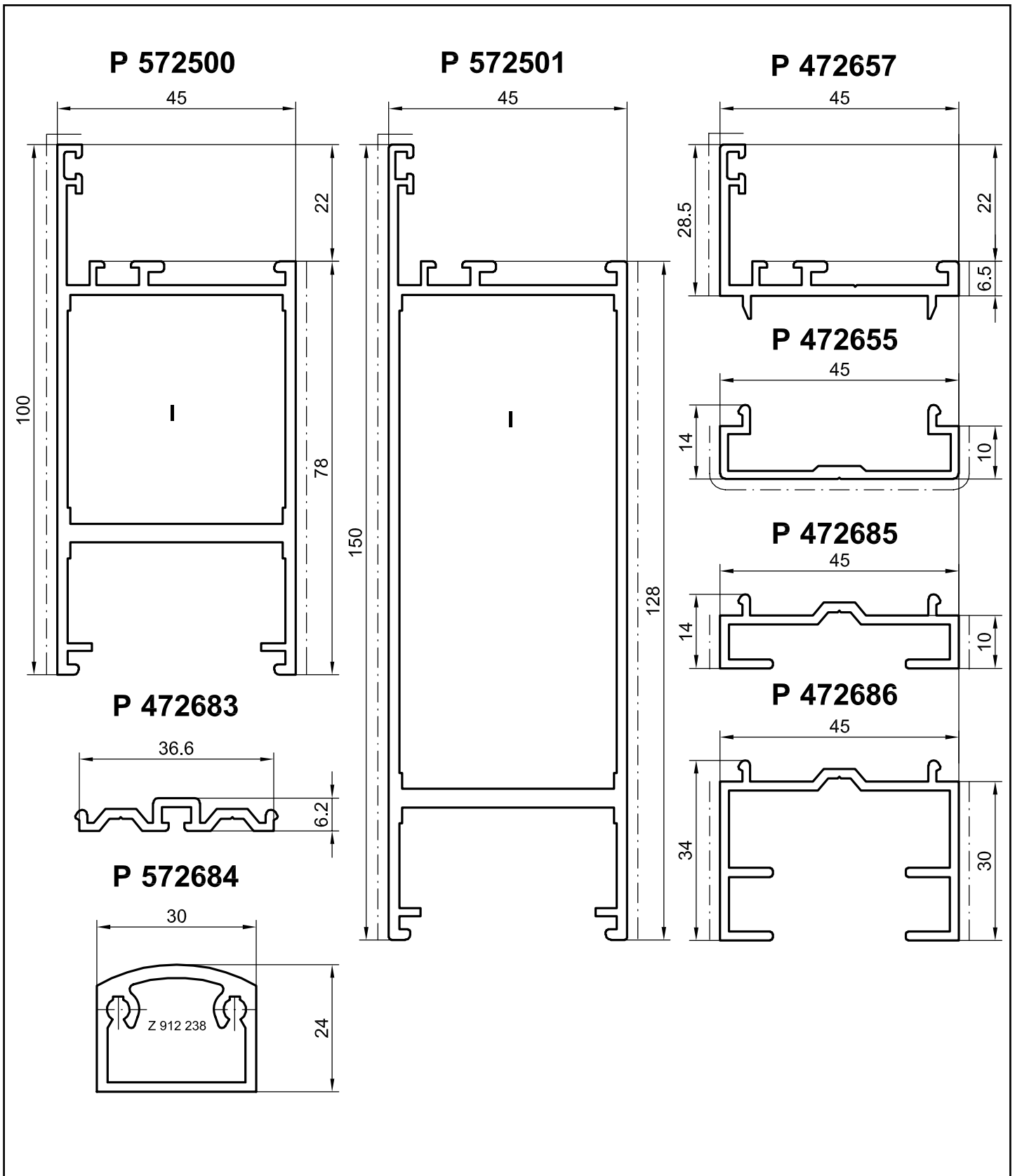
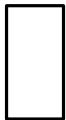
**P 572108**


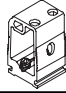






<ul style="list-style-type: none"> <li> crimpable</li> <li> available</li> <li> retro gluing after assembly</li> </ul>	Chamber I					
	P 572 306	 Z 907 315	 Z 912 328	 Z 912 329	 Z 908 551	 2 x Z 900 023
P 572 306 / P 572 307	-	 Z 908 940	 -	 Z 909 084	 2 x Z 907 422	 Z 911 187



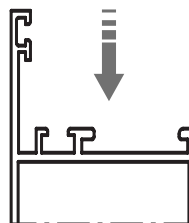
crimpable nailable retro gluing after assembly	Chamber I					
P 572 112	Z 907 315	Z 912 328	Z 912 329	Z 908 551	2 x Z 900 023	Z 903 233
P 572 160 / 161	-	Z 912 159	Z 912 249	Z 912 439	4 x Z 900 024	Z 903 233
P 572 260 / 261	Z 907 315	Z 912 159	Z 912 249	Z 912 439	4 x Z 900 024	Z 903 233
P 572 112	-	Z 908 933	-	Z 909 084	2 x Z 907 422	Z 911 187



	Outer chamber I					
						
P 572 500	-	Z 908 937	-	Z 909 084 Z 907 359	2 x Z 907 422	Z 911 187
P 572 501	-	Z 908 938	-	Z 909 084 Z 907 359	2 x Z 907 422	Z 911 187

## Table for T-brackets Fixing material

Connection on this  
profile construction



(Profiles with rebate such as P 572 100)

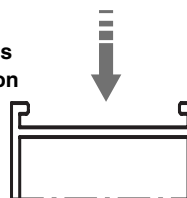
T-bracket Art. no.	For profiles	Length mm	Aluminium roll pins		Drilling jigs
			Z 907 432 6.5 x 8.5	Z 907 422 6.5 x 13	
Z 908 931	P 572 100/103/104/105/300	13.5	2	–	Z 909 084
Z 908 932	P 572 301	22.9	2 x Z 907 684		Z 909 084
Z 908 933	P 572 102/302/308	32.5	–	2	Z 909 084
Z 908 933	P 572 107/306/307	32.5	–	2	Z 909 084
Z 908 934	P 572 303	62.6	2 x Z 907 684		Z 909 084
Z 908 935	P 572 304	102.5	2 x Z 907 684		Z 909 084
Z 908 936	P 572 101	22.9	–	2	Z 909 084
Z 908 936	P 572 106	22.9	–	2	Z 909 084
Z 908 937	P 572 500	42.7	–	2	Z 909 084 + Z 907 359 <sup>1)</sup>
Z 908 938	P 572 501	92.7	–	2	Z 909 084 + Z 907 359 <sup>1)</sup>
Z 908 947	P 572 108	40.9	–	2	Z 909 084 Z 908 785
Z 908 950	P 572 315	13.5	2	2 x Z 900 859	Z 909 084
Z 908 946	P 573 004	142.5	2 x Z 907 684		Z 909 084

1) = drilling jig for lower bottom rail profile

\* See also **HW** register

**Z 907 592**  
Drilling jig for profiles with screw channel  
P 572 301/303/304

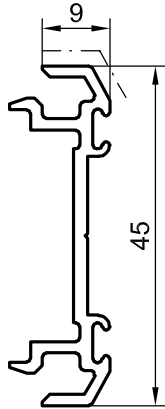
Connection on this  
profile construction



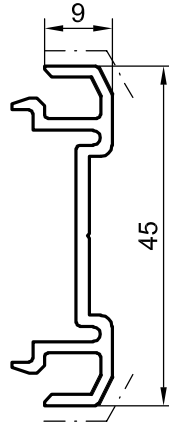
(Profiles with rebate such as P 572 106)

T-bracket Art. no.	For profiles	Length mm	Aluminium roll pins		Drilling jigs
			Z 907 432 6.5 x 8.5	Z 907 422 6.5 x 13	
Z 908 939	P 572 106	22.9	–	2	Z 909 084
Z 908 940	P 572 107/306/307	32.5	–	2	Z 909 084
Z 908 939	P 572 101/109	22.9	–	2	Z 909 084
Z 908 940	P 572 102/302/308	32.5	–	2	Z 909 084
Z 908 942	P 572 100/103/104/105/300	13.7	2	–	Z 909 084
Z 908 943	P 572 500	42.7	–	2	Z 909 084 + Z 907 359
Z 908 944	P 572 501	92.7	–	2	Z 909 084 + Z 907 359
Z 908 948	P 572 108	40.6	–	2	Z 909 084 + Z 908 785
Z 909 086	P 572 303	62.5	2 x Z 907 684		Z 909 084
Z 909 087	P 572 304	102.5	2 x Z 907 684		Z 909 084
Z 909 088	P 572 301	22.9	2 x Z 907 684		Z 909 084

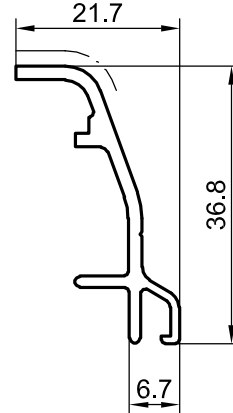
**P 472652**



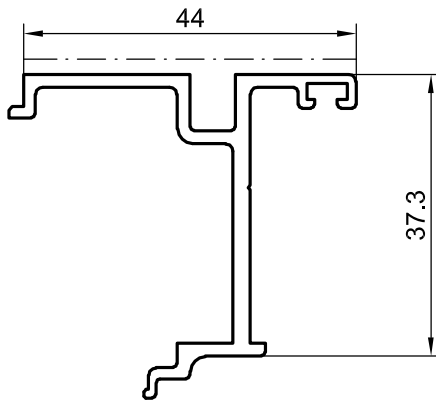
**P 472653**



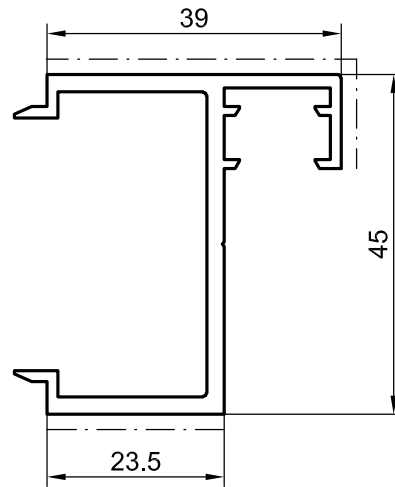
**P 472687**



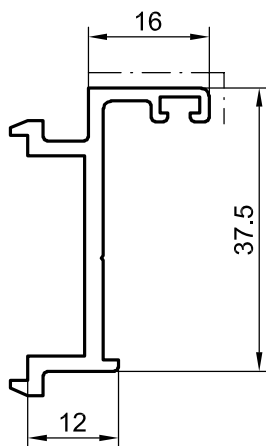
**P 472676**



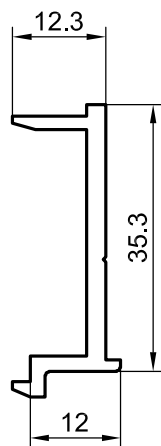
**P 472677**



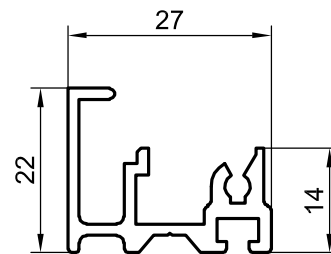
**P 472680**



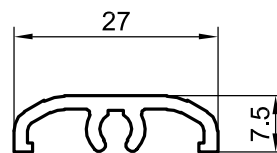
**P 472681**



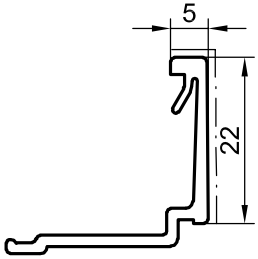
**P 472682**



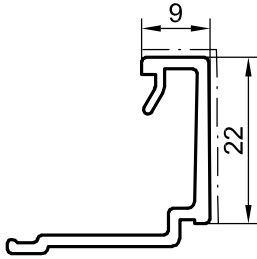
**P 497120**



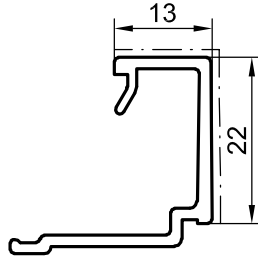
**P 494071**



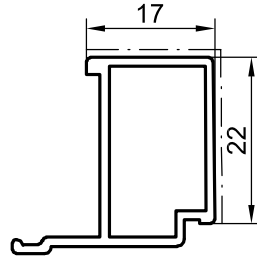
**P 494072**



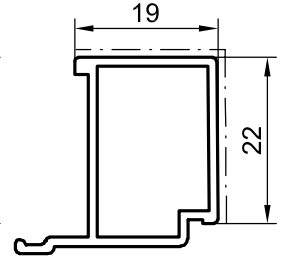
**P 494073**



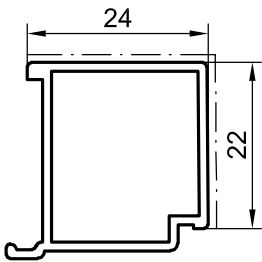
**P 594058**

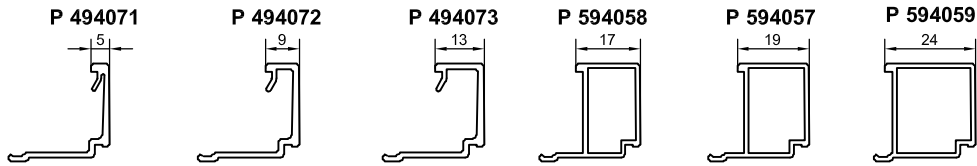


**P 594057**

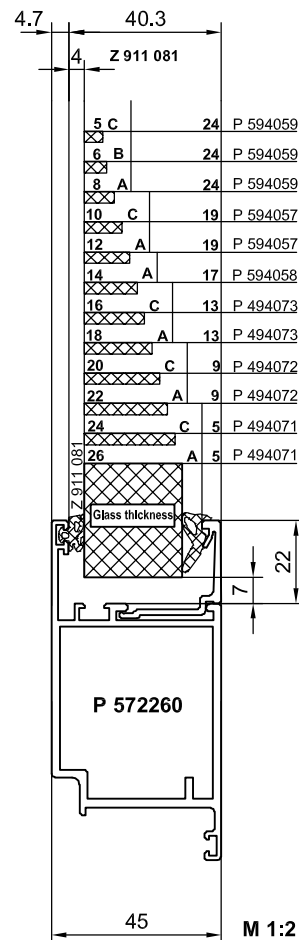
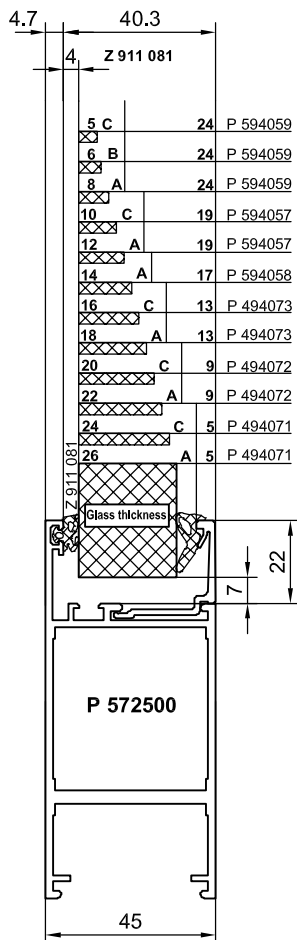


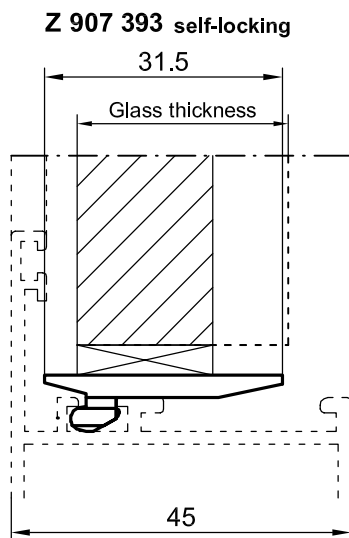
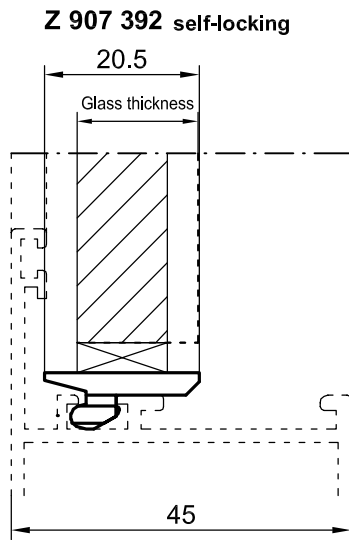
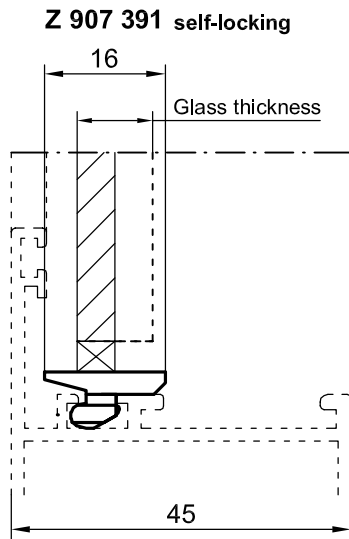
**P 594059**





	external	internal			
	Glazing gaskets				
Article no.	Z 911 081	Z 911 079	Z 911 108	Z 911 078	Z 911 080
Gap dimension in mm	4	4.0 - 7.0	5.5 - 8.0	6.5 - 9.0	7.5 - 10.5

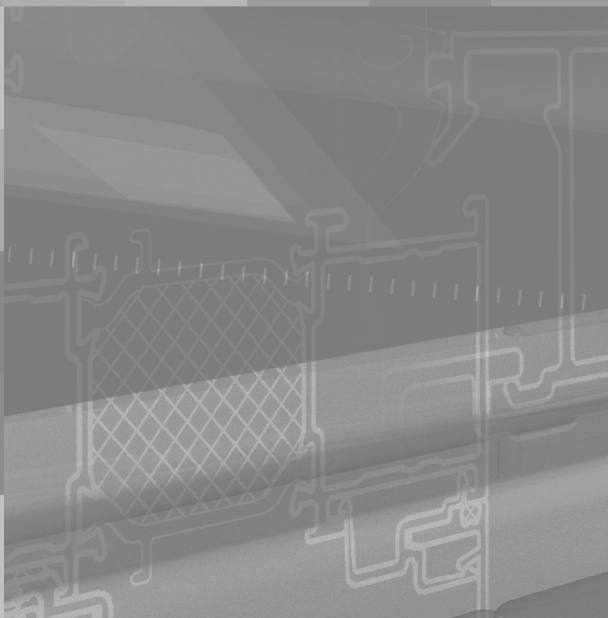




For details see Processing Information

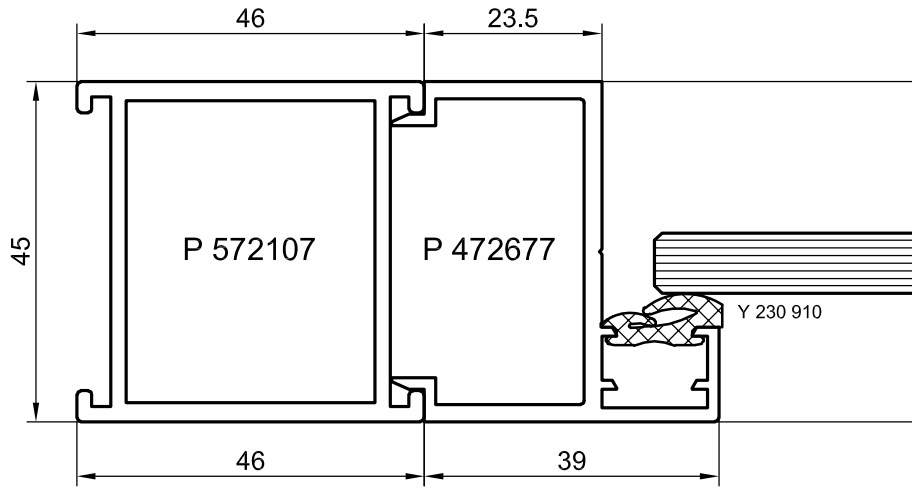
Art. no.	Glass thickness	Profiles	Window-Series		
			1.0	1.0 IF	A 72
Z 907 391	05 - 10 mm	P 572100/101 P 572102/103 P 572104/105  P 572250/251  P 572300/301 P 572302/303 P 572304/305  P 572500/501 P 472657			•
Z 907 392	12 - 16 mm	P 572100/101 P 572102/103 P 572104/105  P 572250/251  P 572300/301 P 572302/303 P 572304/305  P 572500/501 P 472657			•
Z 907 393	18 - 28 mm	P 572100/101 P 572102/103 P 572104/105  P 572250/251  P 572300/301 P 572302/303 P 572304/305  P 572500/501 P 472657			•

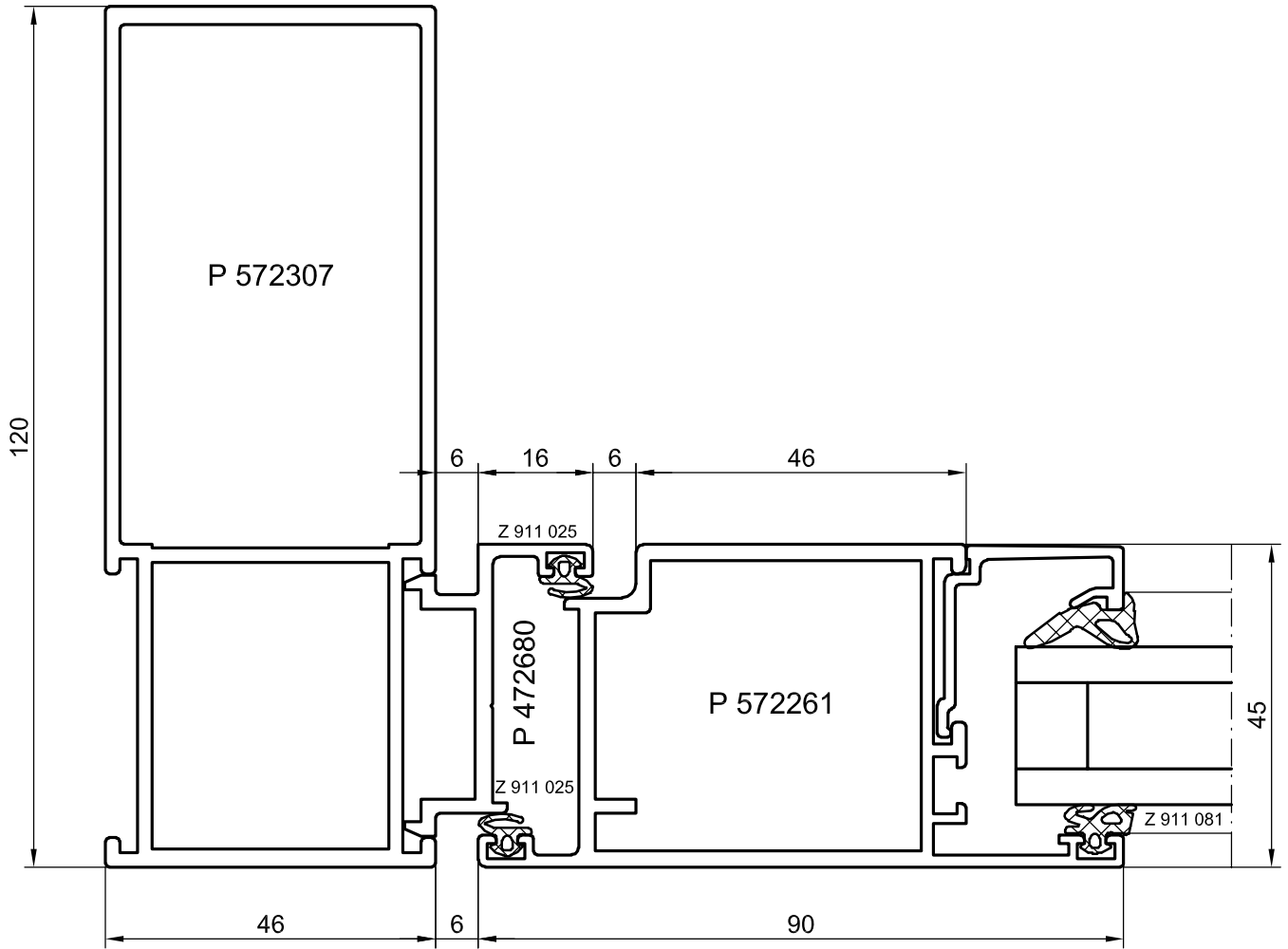




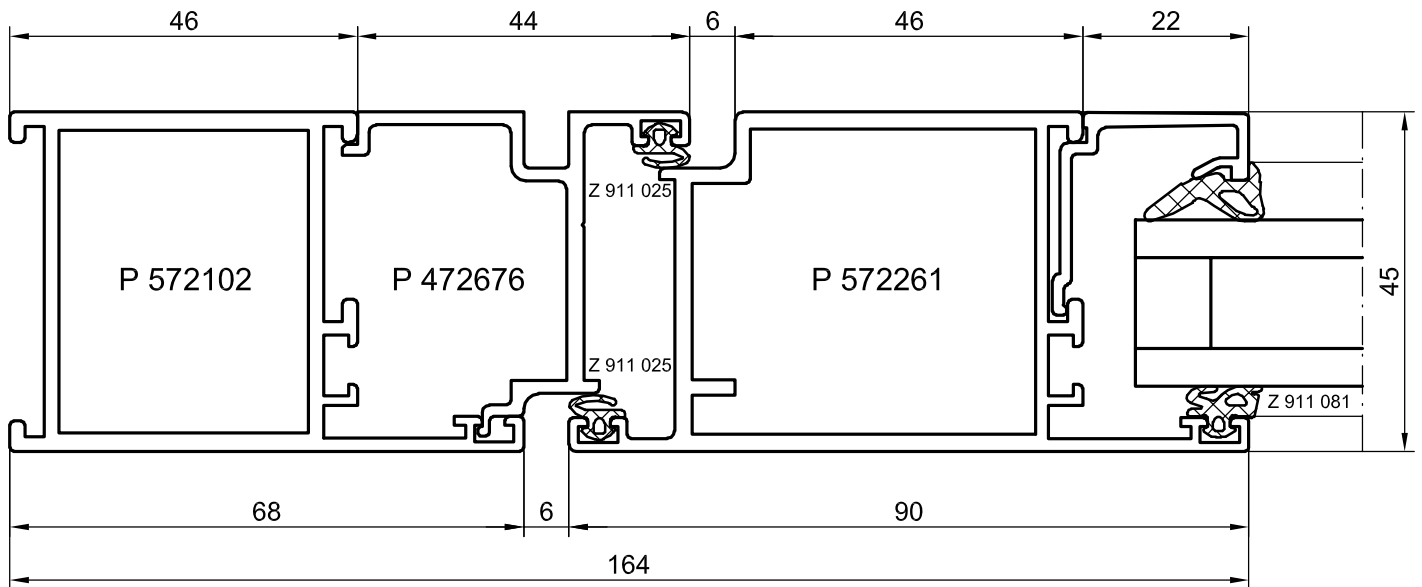
## **Sections HUECK Series A72 Door**

**Frames for entirely glass doors**



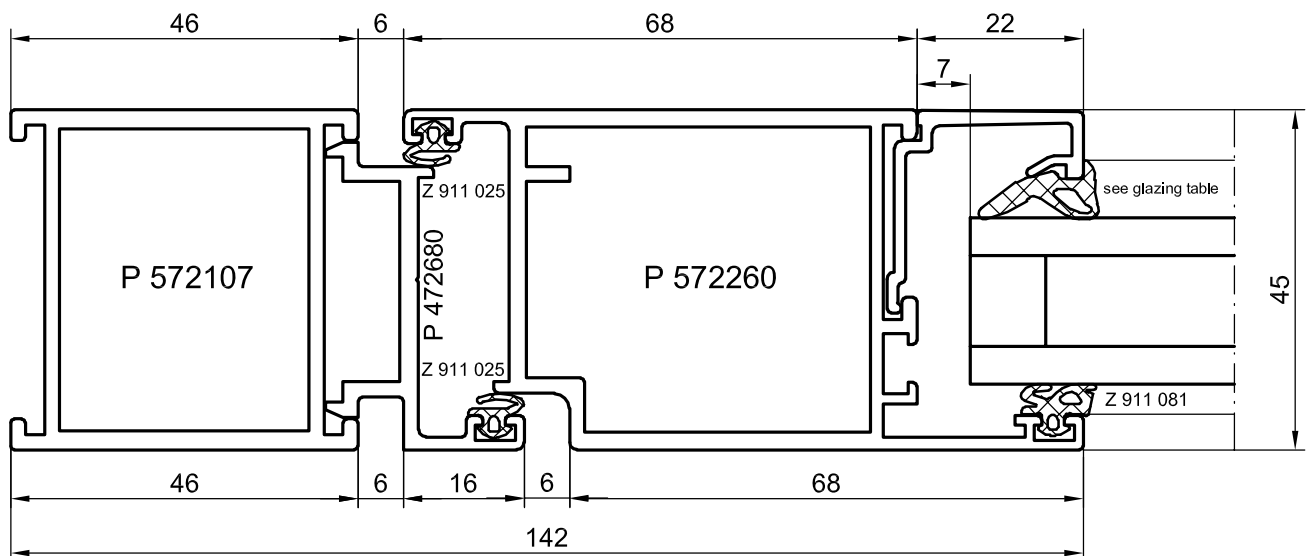
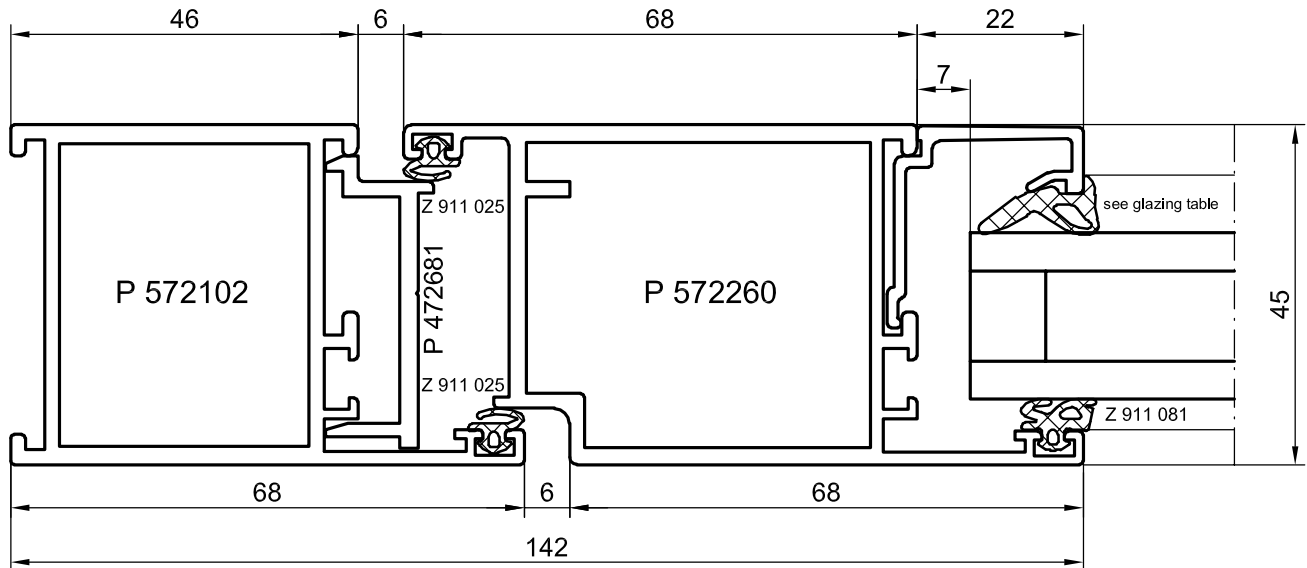
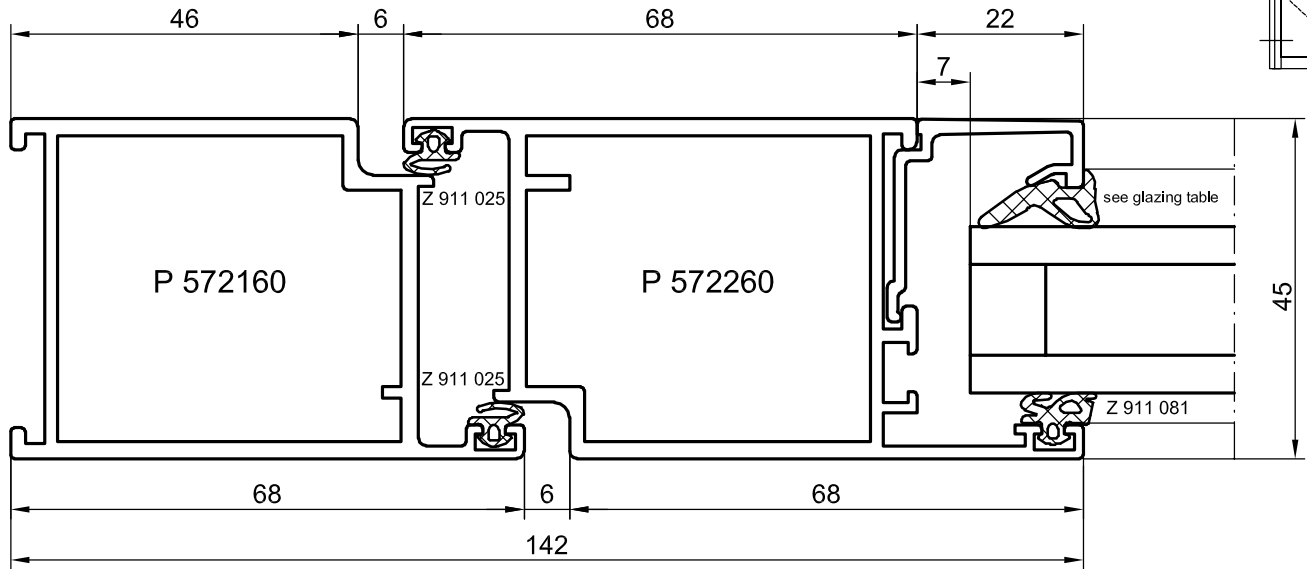
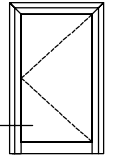


Exchange profile for doors opening in

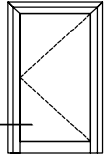


M 1:1

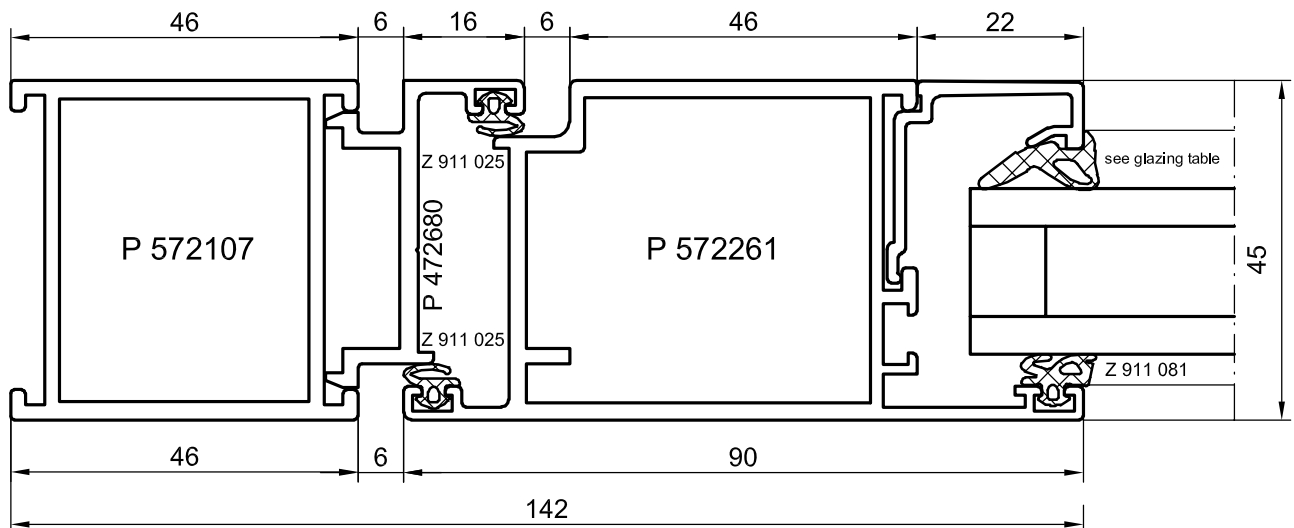
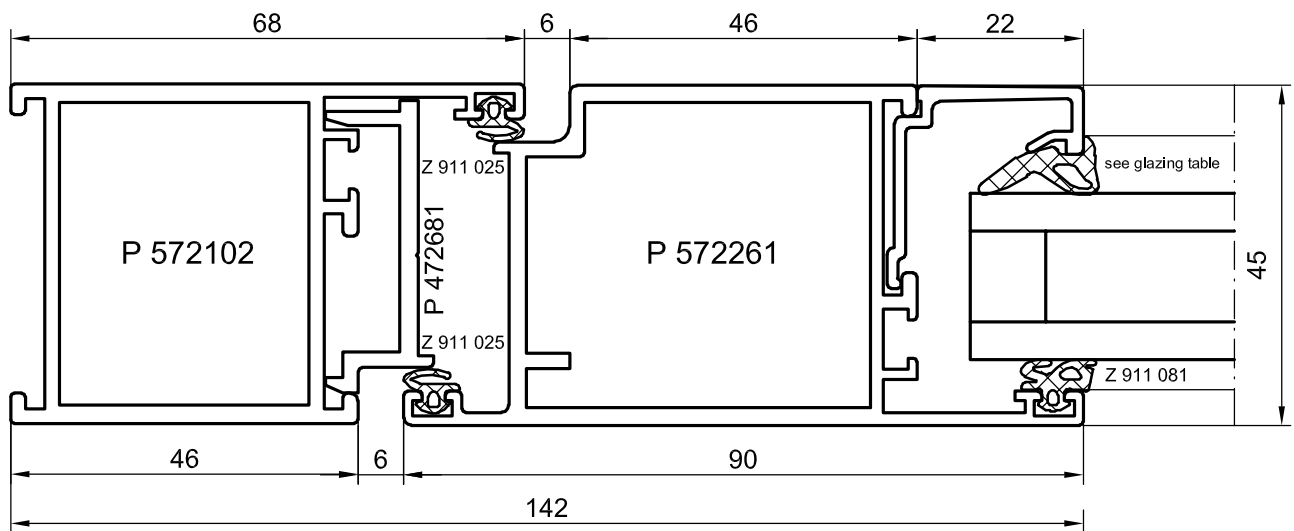
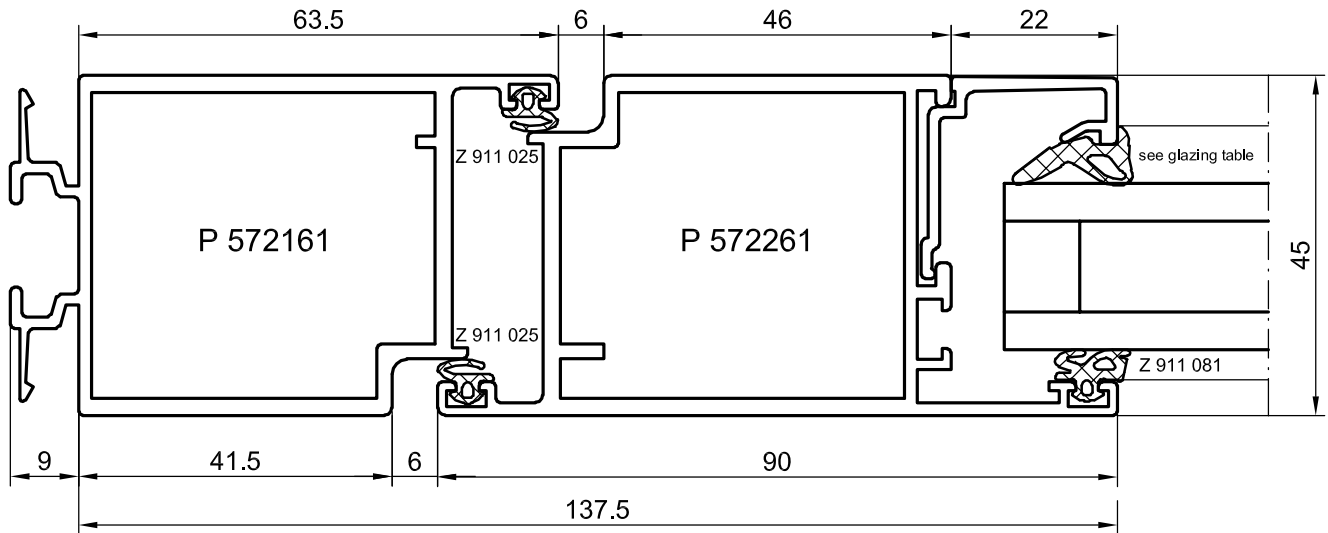
Horizontal section for doors opening in



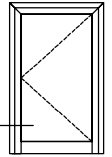
M 1:1



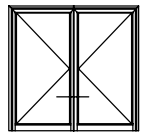
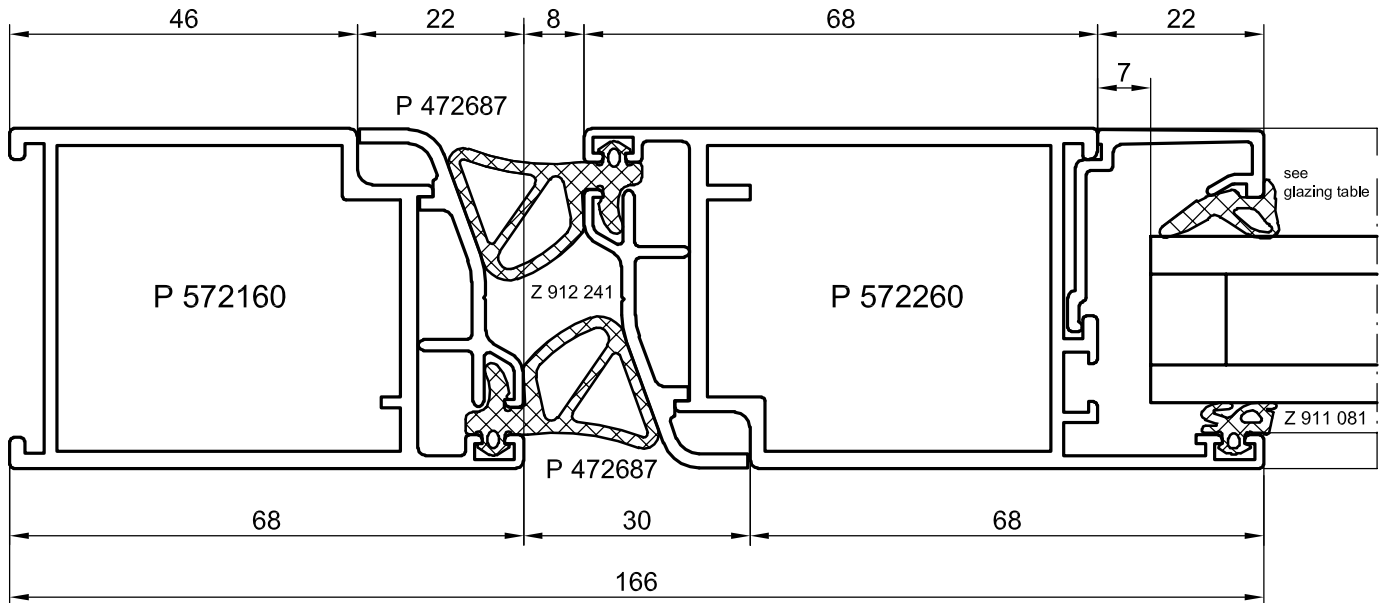
## Horizontal section for doors opening out



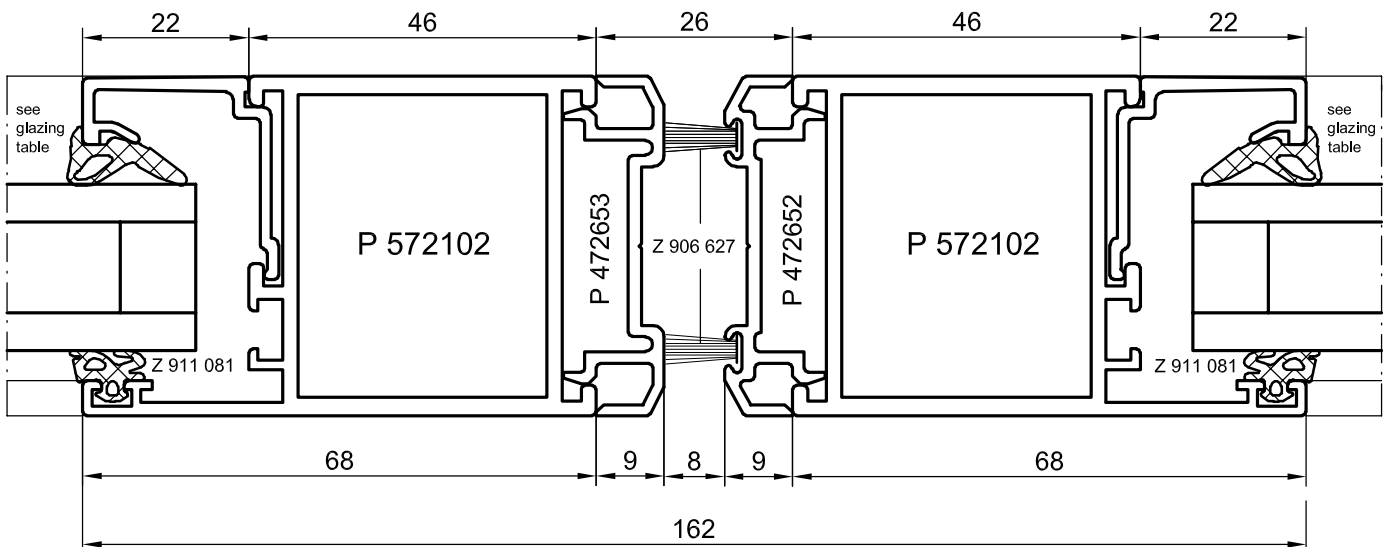
M 1:1



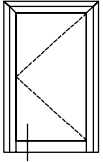
**Horizontal section for anti-fingertrap doors**



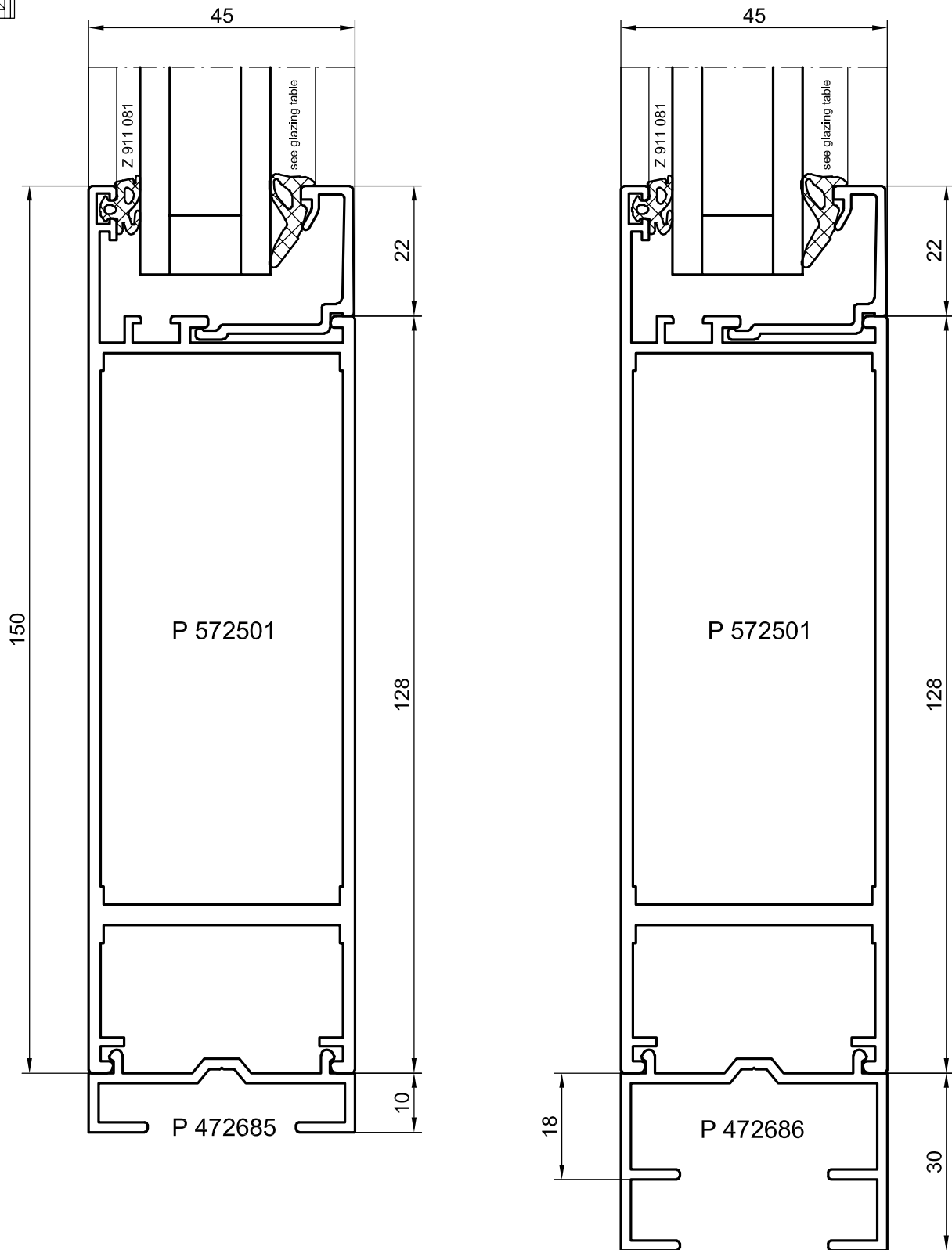
**Horizontal section meeting stiles for swing doors**



**M 1:1**



## Vertical section - Bottom rail variants



**Vertical section - Bottom rail variants**

