


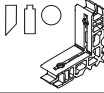
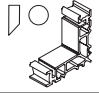









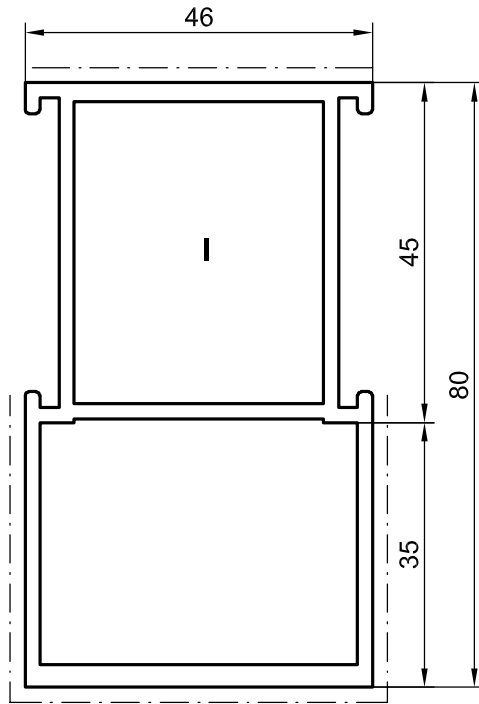
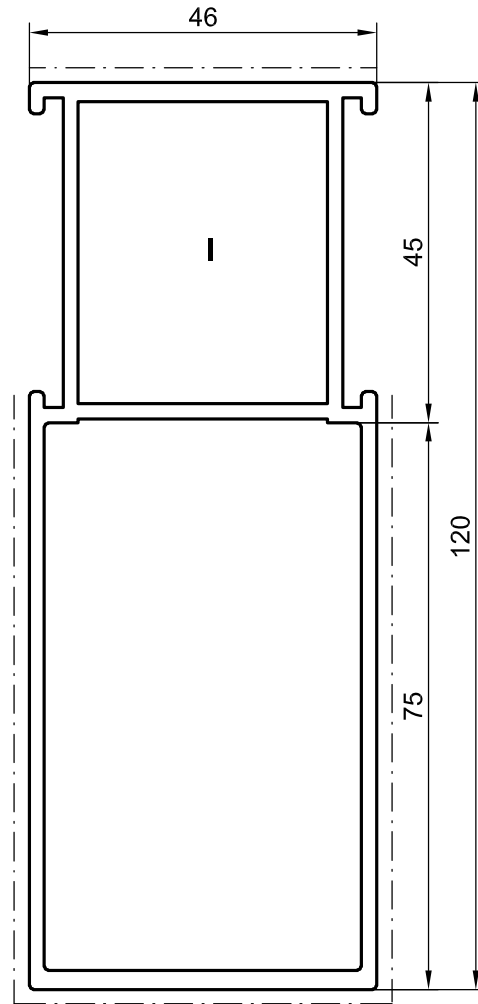
 crimpable  nailable  retro gluing after assembly	Chamber I					
						
P 572 106	Z 907 315	Z 912 326	Z 912 327	Z 908 551	2 x Z 900 023	Z 903 233
P 572 107	-	Z 912 328	Z 912 329	Z 908 551	2 x Z 900 023	Z 903 233
						
P 572 106	-	Z 908 936	-	Z 909 084	2 x Z 907 422	Z 911 187
P 572 107	-	Z 908 940	-	Z 909 084	2 x Z 907 422	Z 911 187



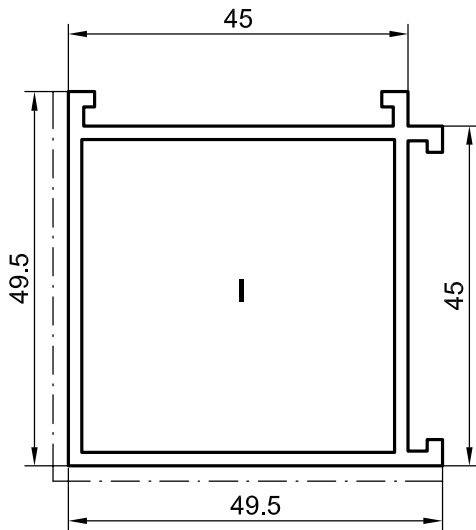
P 572306





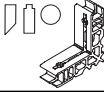
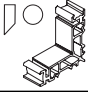










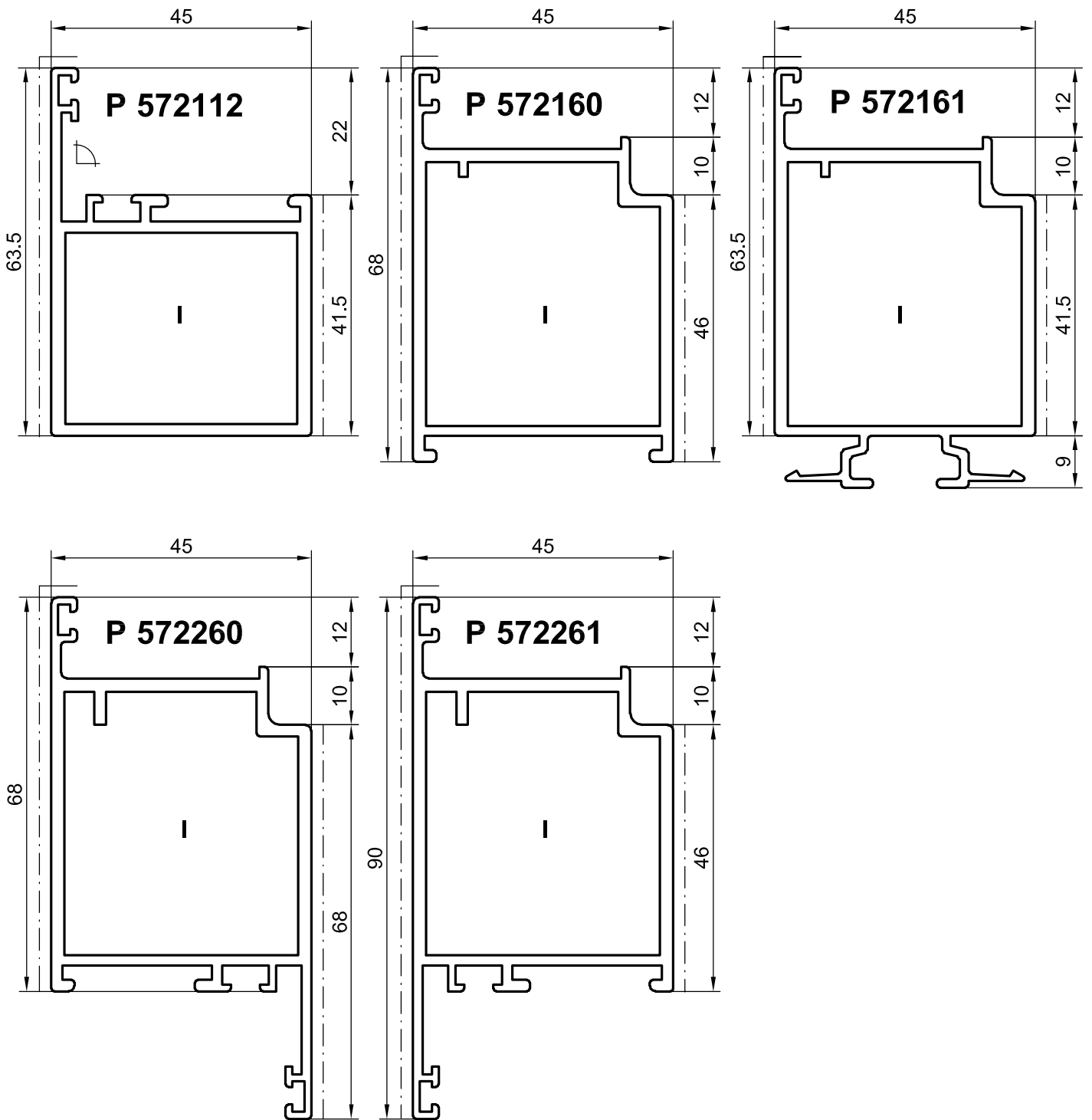
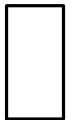
P 572307



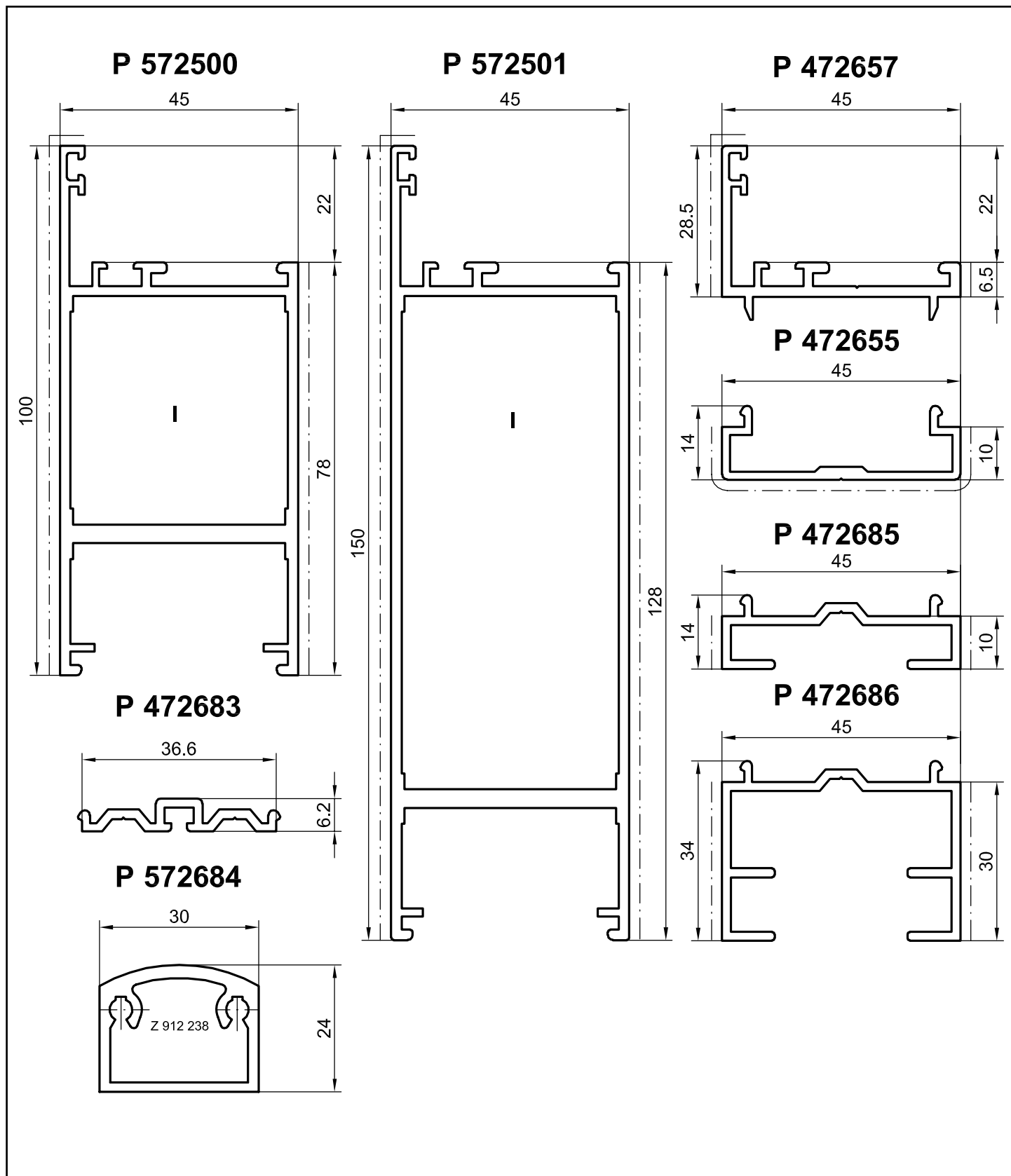
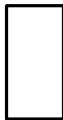
P 572108



<ul style="list-style-type: none">  crimpable  available  retro gluing after assembly 	Chamber I					
	P 572 306	 Z 907 315	 Z 912 328	 Z 912 329	 Z 908 551	 2 x Z 900 023
P 572 306 / P 572 307	 -	 Z 908 940	 -	 Z 909 084	 2 x Z 907 422	 Z 911 187



crimpable nailable retro gluing after assembly	Chamber I					
P 572 112	Z 907 315	Z 912 328	Z 912 329	Z 908 551	2 x Z 900 023	Z 903 233
P 572 160 / 161	-	Z 912 159	Z 912 249	Z 912 439	4 x Z 900 024	Z 903 233
P 572 260 / 261	Z 907 315	Z 912 159	Z 912 249	Z 912 439	4 x Z 900 024	Z 903 233
P 572 112	-	Z 908 933	-	Z 909 084	2 x Z 907 422	Z 911 187



	Outer chamber I					
P 572 500	-	Z 908 937	-	Z 909 084 Z 907 359	2 x Z 907 422	Z 911 187
P 572 501	-	Z 908 938	-	Z 909 084 Z 907 359	2 x Z 907 422	Z 911 187