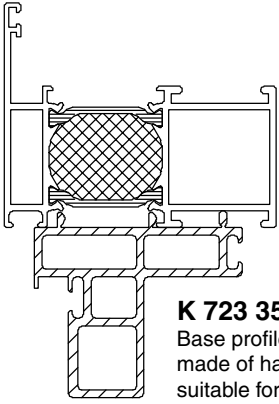
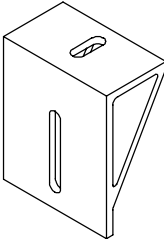
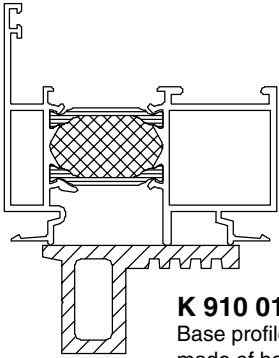
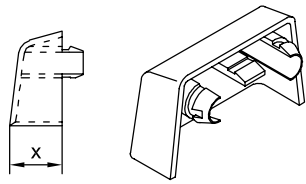
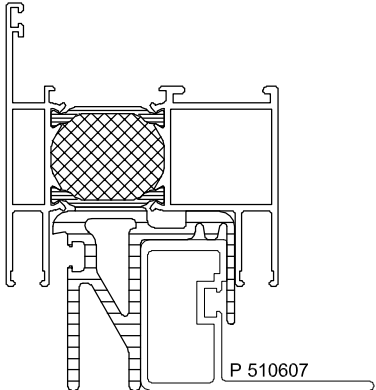
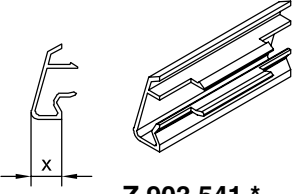
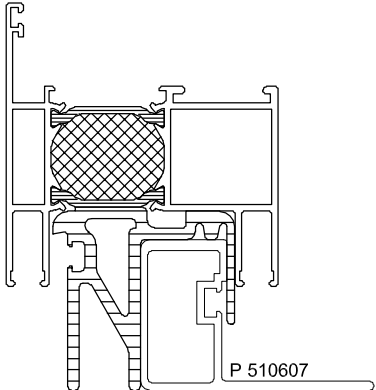
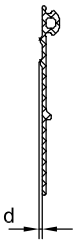
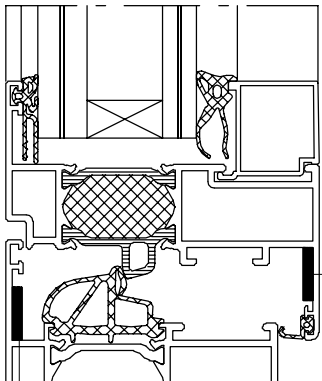
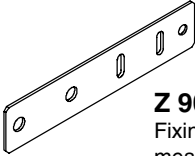
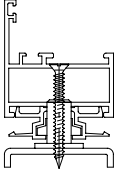
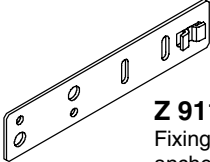
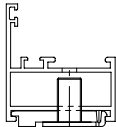
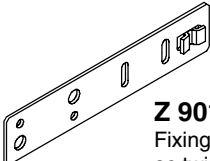
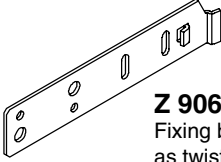
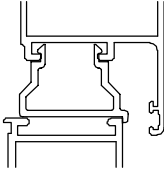
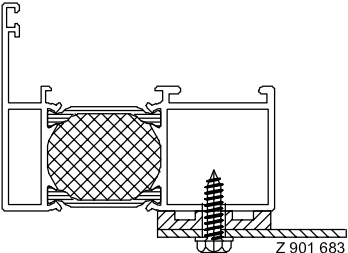

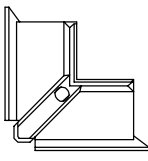
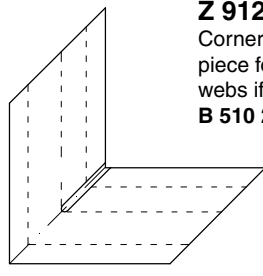
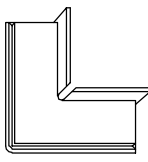
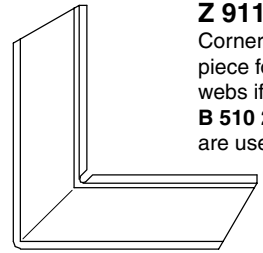
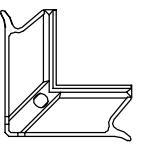
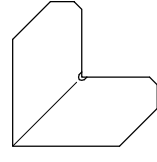
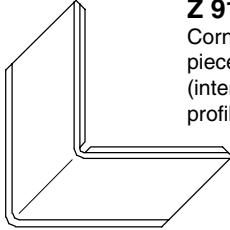
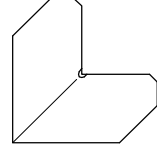
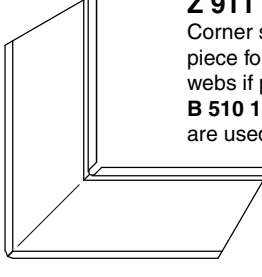
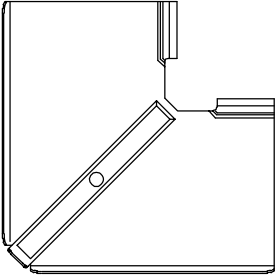
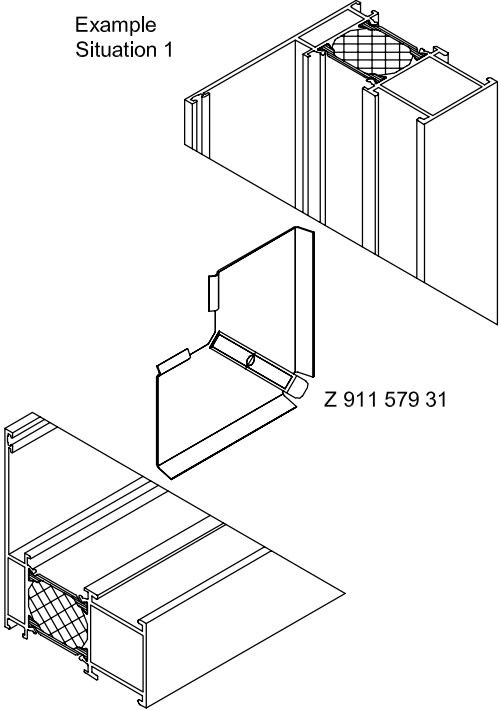
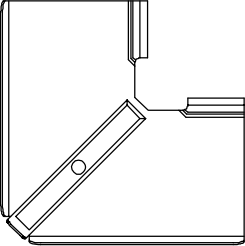
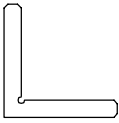
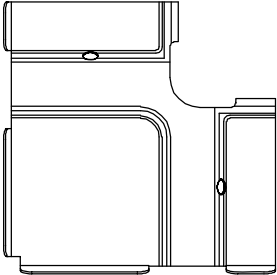
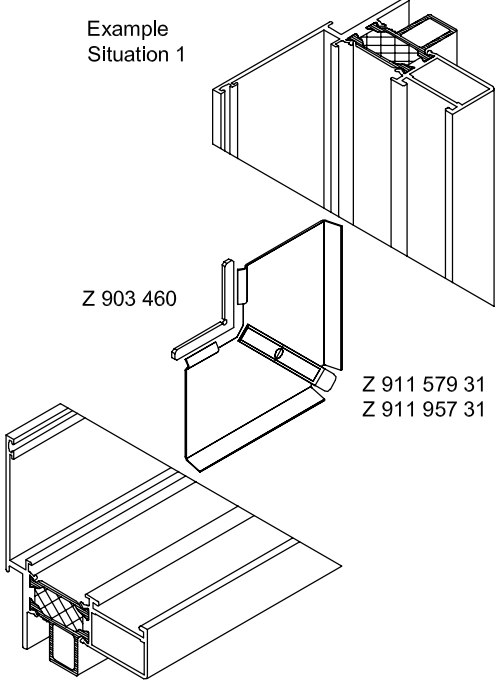
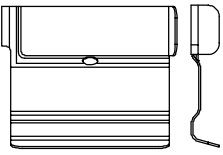
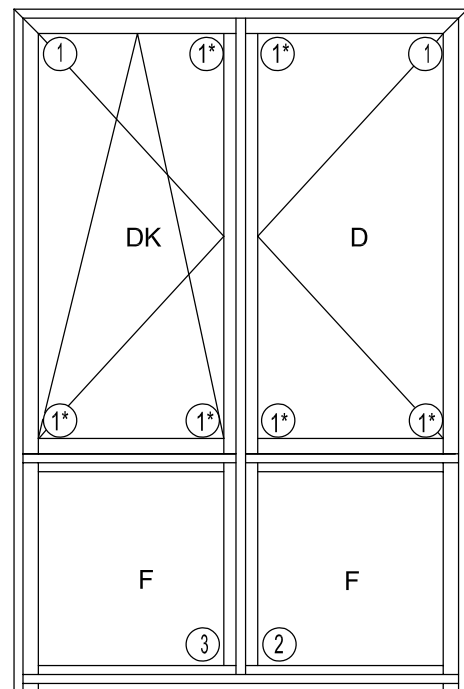
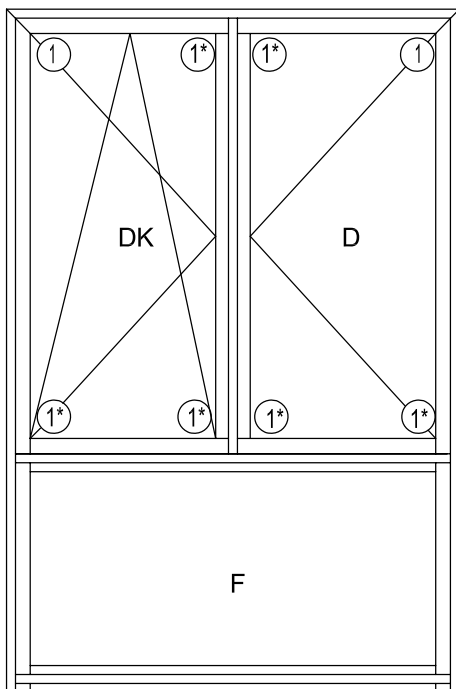
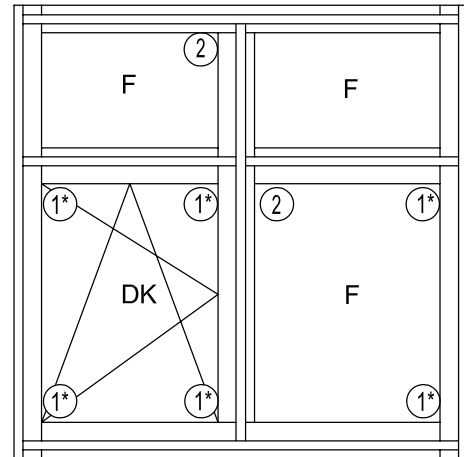
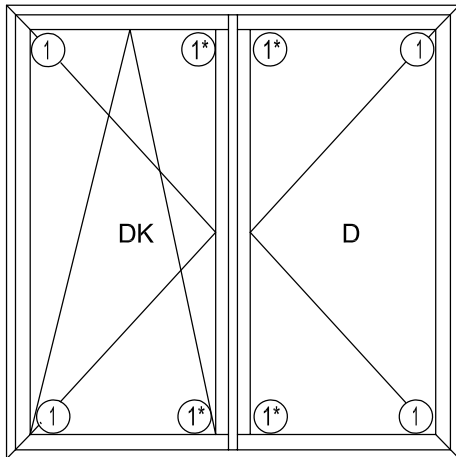


	Series				Series		
	1.0	1.0 IF	A 72		1.0	1.0 IF	A 72
 <p>K 723 351 Base profile, made of hard PVC, suitable for fixed frames Length = 6.0 m</p>	•	•		 <p>Z 908 849 Bracket for window connection, suitable for fixed frames, to be used in combination with K 910 058 and P 510 607</p>	•	•	
 <p>K 910 011 Base profile, made of hard PVC, suitable for fixed frames such as B 510 104 Length = 6.50 m</p>	•	•	<p>Drain caps for covering the drainage slots in the fixed frame, slot dimensions: 8 x 30 mm for a wall thickness between 1.8 and 2.0 mm For punching tools see: Tools</p>  <p>Z 906 510 02 Z 906 510 64 Drain cap made of polycarbonate, can be painted, x = 14 mm, particularly suitable for ventilation slots in case of fixed glazing</p>	•	•	•	
 <p>K 910 058 Base profile, made of hard PVC, suitable for fixed frames Length = 6.5 m</p>	•	•	 <p>Z 903 541 * Z 903 541 02 Z 906 541 64 Drain cap made of aluminium, x = 8.5 mm</p>	•	•	•	
 <p>K 910 058 Base profile, made of hard PVC, suitable for fixed frames Length = 6.5 m</p>	•	•	<p>Z 912 448 Heavy-duty foil, 2 x 14 x 1400 mm, self-adhesive on one side, for windows of sound resistant class 5 (SSK 5)</p>	•			
 <p>Z 908 806 Sealing tape, made of EPDM, black, with foil, diam. = 0.8, for sealing wall connections L = 330 mm</p>	•	•	 <p>Z 912 448</p>				
<p>See Processing Information</p>							

	Series				Series		
	1.0	1.0 IF	A 72		1.0	1.0 IF	A 72
 <p>Z 901 683 Fixing bracket to be fixed by means of screws, suitable for profiles such as B 510 104 / 106 / 140</p>	•			 <p>Z 990 706 Connecting piece, as a spacer with set screw, suitable for profile P 472 604 Adjustment area = 20 mm</p>			•
 <p>Z 911 263 Fixing bracket as twist-on anchor bracket, suitable for profiles such as B 510 101</p>	•			 <p>Z 907 312 Connecting piece, as a spacer with set screw, suitable for profiles P 572 100 / 101 / 102 Adjustment area = 20 mm</p>			•
 <p>Z 901 687 Fixing bracket for windows, as twist-on anchor bracket, suitable for profile P 472 604</p>			•				
 <p>Z 906 825 Fixing bracket for windows, as twist-on anchor bracket, suitable for profiles such as P 572 100 / 101 / 102 / 160</p>			•	 <p>Z 906 316 Connecting piece for fixed sashes, length = 100 mm, 8 required for each sash -> see Processing: Drawing Register 200</p>	•	•	•
 <p>Z 903 428 Plastic base for fixing bracket Z 901 683 if profiles such as B 510 100 / 102 are used To be fixed by means of screw Z 903 432 and washer Z 901 133 -> see: Tools and auxiliary accessories</p>	•			 <p>Z 912 337 Connecting piece, as glazing bead retainer, required if round glazing beads P 594 100 - 109 are used</p> <p>Installation: cf. Processing Information!</p>	•		•

	Series				Series		
	1.0	1.0 IF	A 72		1.0	1.0 IF	A 72
 <p>Z 911 615 Corner strengthening piece for glass support webs if fixed frame profiles are used, with guide groove for sealing material Z 912 717 for sealing the mitre joints</p>	•		•	 <p>Z 912 363 Corner strengthening piece for glass support webs if profiles such as B 510 230 are used</p>	•		
 <p>Z 911 616 Corner strengthening piece for stabilising the sash lap over the frame, 4 required</p>	•		•	 <p>Z 911 183 Corner strengthening piece for glass support webs if profiles such as B 510 240 / 241 are used</p>	•		
 <p>Z 911 585 Corner strengthening piece for glass support webs if profiles such as B 510 200 / 201 / 203, are used, with guide groove for sealing material Z 912 717 for sealing the mitre joints</p>	•			 <p>Z 907 315 Corner strengthening piece for glass support webs if profiles such as P 572 100 - 103 are used</p>			•
 <p>Z 911 458 Corner strengthening piece for B 510 203 (internal rabbet) and profile B 510 205</p>	•			 <p>Z 907 316 Corner strengthening piece for stabilising the external profile stop of profile P 572 205</p>			•
 <p>Z 911 182 Corner strengthening piece for glass support webs if profiles such as B 510 140 / 340 are used</p>	•						
See Processing Information							

		Series						
		1.0	1.0 IF	A 72				
<p>see illustration Situation 1</p> 	<p>Z 911 579 31 Corner strengthening piece for stabilising the external profile stop of profiles B 510 170 - 173 / 370</p>		•		<p>Example Situation 1</p>  <p>Z 911 579 31</p> <p>Z 911 957 31</p>			
<p>see illustration Situation 1</p> 	<p>Z 911 957 31 Corner strengthening piece for stabilising the external profile stop of profiles B 510 176 / 177</p>		•					
	<p>Z 903 460 Corner strengthening piece for stabilising the external profile stops for combinations with Z 911 579 31 / 957 31</p>		•					
<p>see illustration Situation 1*</p> 	<p>Z 911 388 31 Corner strengthening piece for stabilising the external profile stop of profiles B 510 370 - 373 B 510 170 - 175</p>		•				<p>Example Situation 1</p>  <p>Z 903 460</p> <p>Z 911 579 31 Z 911 957 31</p>	
<p>see illustration Situation 2 - R Situation 3 - L</p> 	<p>Z 911 389 31 L Z 911 395 31 R Corner strengthening piece for stabilising the external profile stop of profiles B 510 370 / 371 mit B 510 371 / 372</p>		•					
	<p>Z 907 776 02 Z 907 776 12 Corner strengthening piece for stabilising the external profile stop of profiles B 510 372</p>		•		<p>See next page for scheme for situation 1 to 3</p>			



DK = turn-tilt sash
D = side-hung sash
F = fixed glazing
Corner strengthening piece for Situation 1 to 3
-> see Accessories