

HUECK Bullet-proof system

Bullet-proof system

Series 1.0 / 1.0 Door

Bullet-proof construction made from thermally insulated profiles with an external planking in a special aluminium alloy.

Construction features

Profile depth: frame: 72 mm, sash: 83 mm (Series 1.0); 72 mm (Series 1.0 Door)

Planking depth: 15 mm

Bullet-proof: FB4-NS according to DIN EN 1522 (non splinters).
For windows, doors and shutters.

Filling element

Glazing: BR4-NS according to DIN EN 1063, insulating glass

Panel: bullet-proof, optional thermally insulated

Types

Series 1.0: turn-tilt windows, side-hung windows, bottom-hung windows, fixed fields, element couplings, 0-90° corners

Series 1.0 Door: one sash, opening out. All common fitting variants, panic and emergency exit devices according to DIN EN 179/1125

Surface refinement

Profiles: as Series 1.0/1.0 Door

Planking: synthetic coating (wet paint and powder coating) with surface preparation either DIN 50939 or DIN EN ISO 3892 (Anodization not possible)

Burglar resistant: WK1 /WK2 according to DIN V ENV 1627; as Series 1.0/1.0 Door

Insulating zone: as Series 1.0/1.0 Door

Glazing/rebate gaskets: as Series 1.0/1.0 Door

System proofs: as Series 1.0/1.0 Door

Insulation: as Series 1.0/1.0 Door

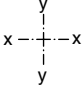
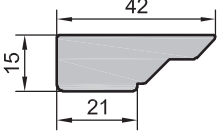
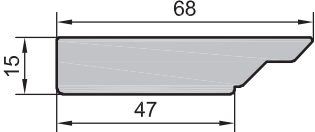
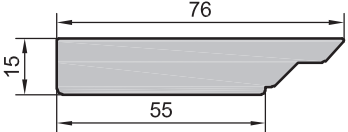
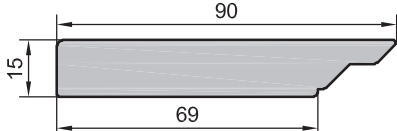
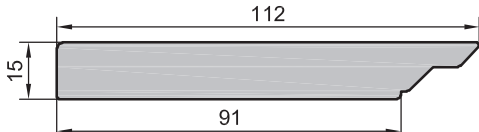
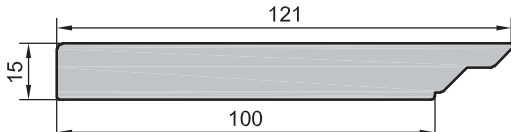
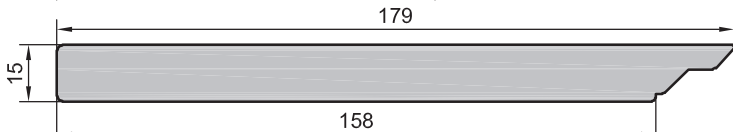
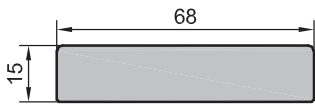
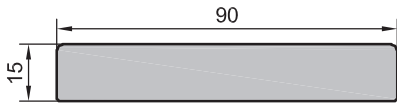
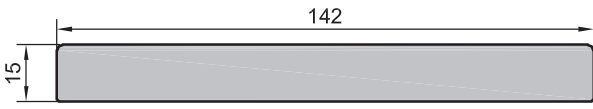
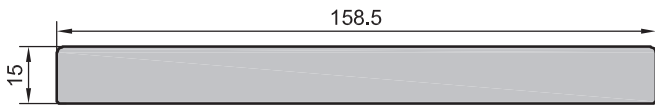
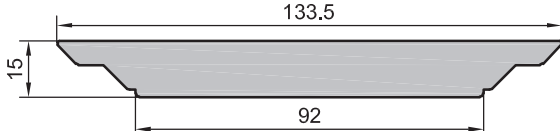
Soundproof: up to $R_{w,R} = 45$ dB, depending on the glass.

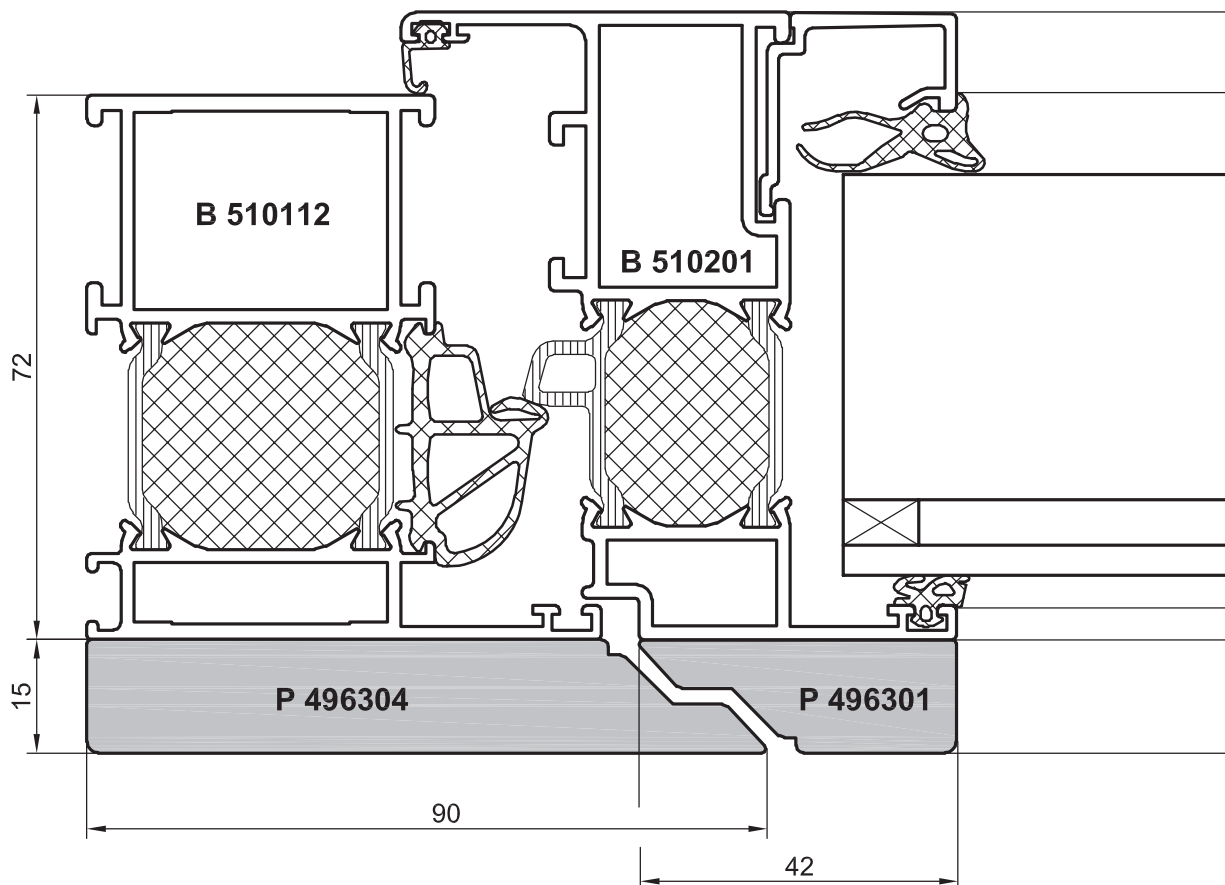
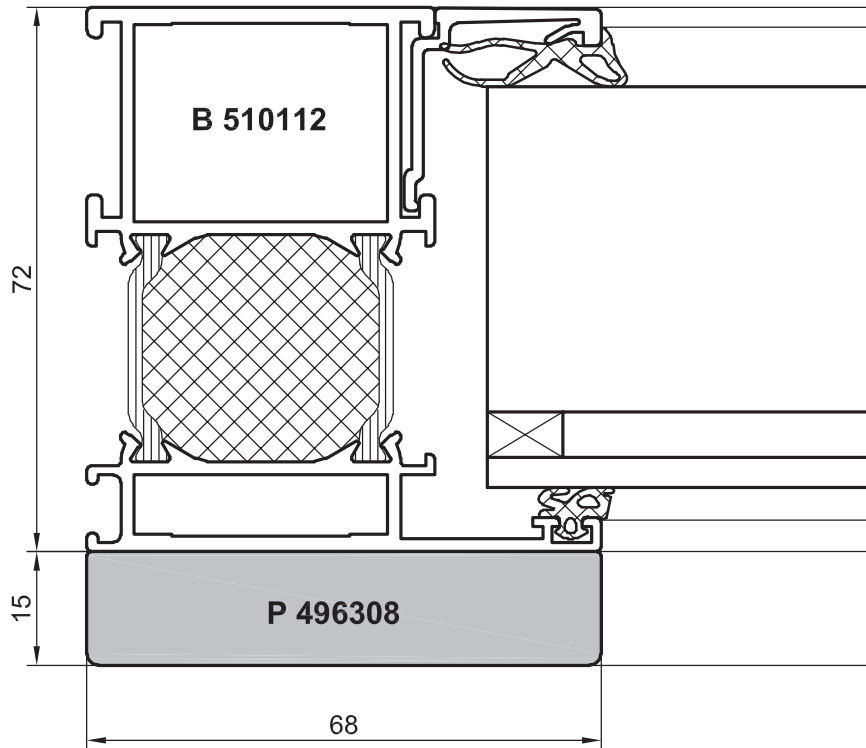
Quality management system: DIN EN ISO 9001.

Assembly

Optimum production ensured by means of well-coordinated system components (profiles, fittings, planking, accessories) and EDP solutions.

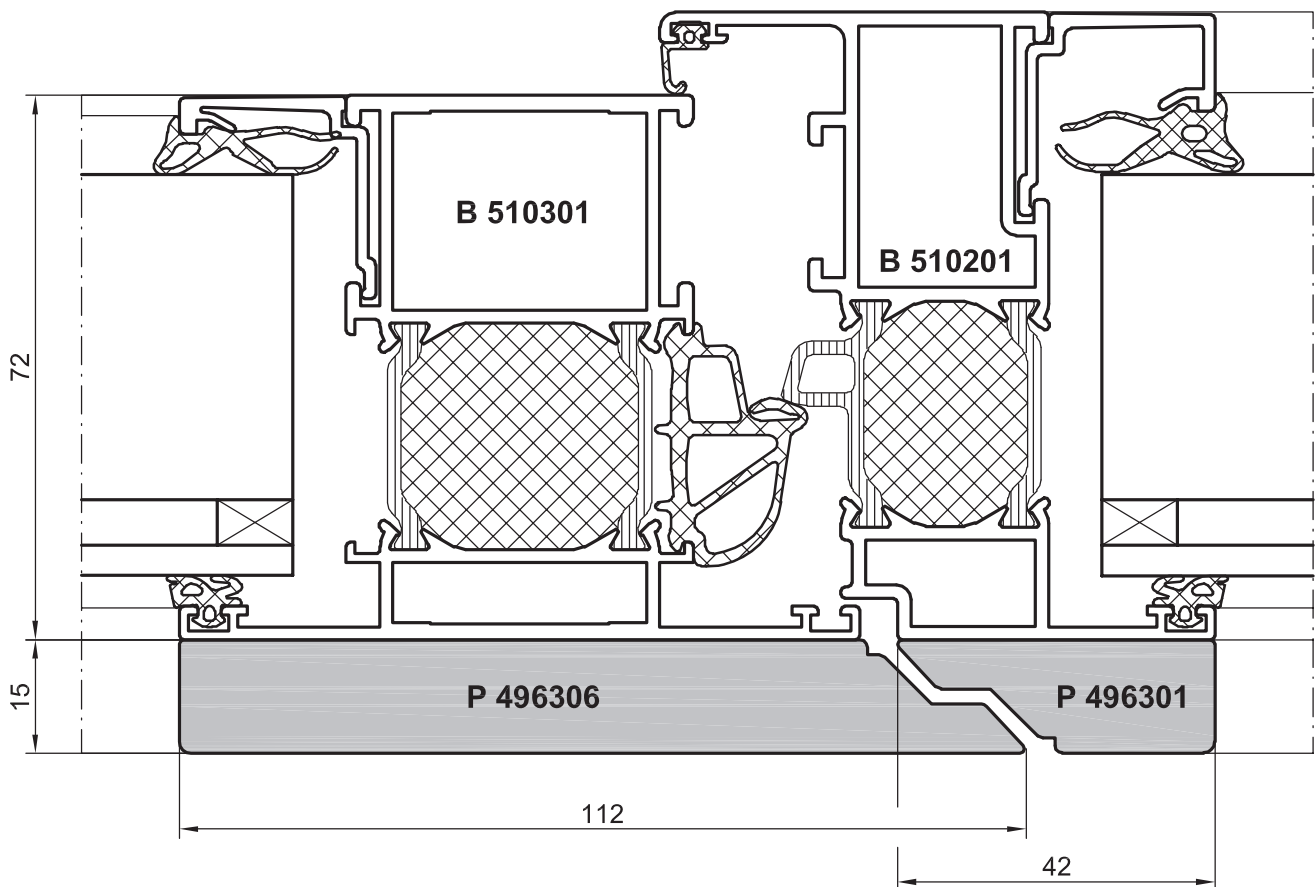
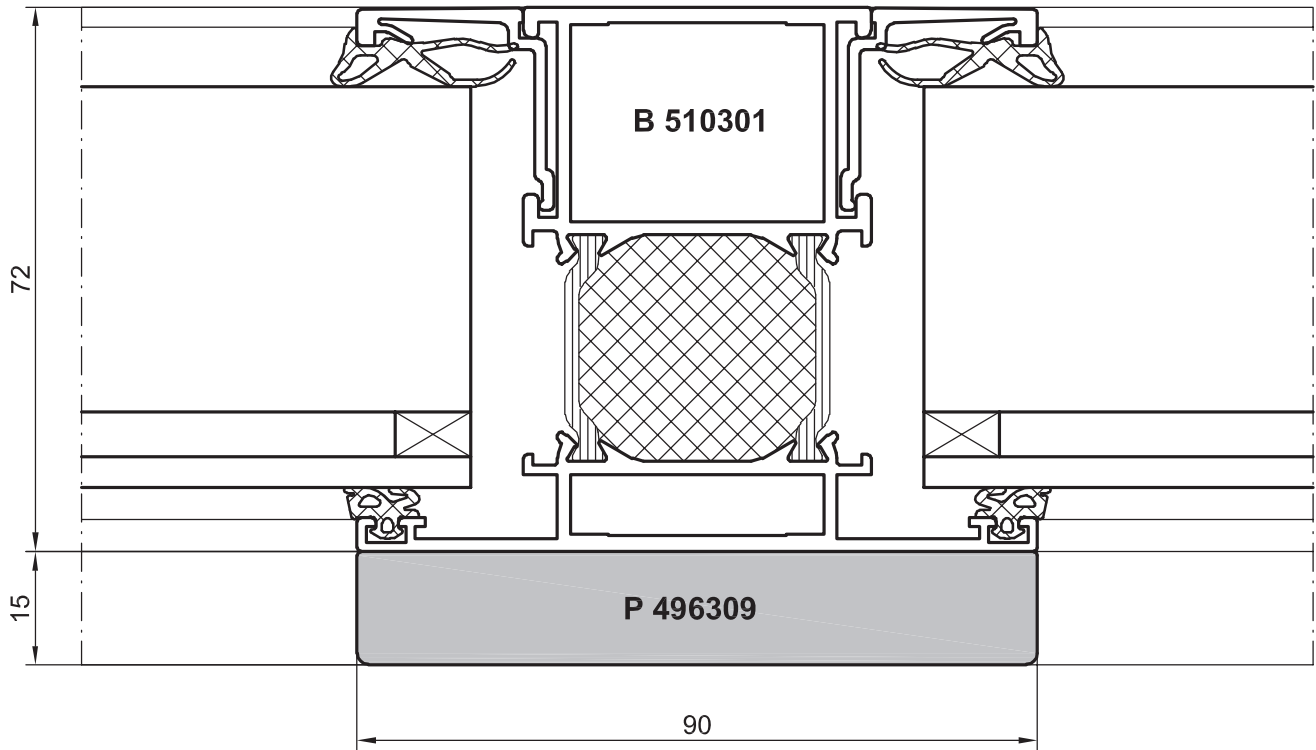
Profile overview - Planking for bullet-proof system

	All profiles can be ordered with the following coating	Profile number	Perimeter in mm	Page
	00 = mill finish 68 = RAL shade	P496 301	106	4/5/6
		P496 303	158	7
		P496 314	173	7
		P496 304	202	4/7
		P496 306	246	5
		P496 302	264	7/11
		P496 311	381	/
		P496 308	166	4
		P496 309	210	5
		P496 310	314	8
		P496 312	346	10
		P496 313	282	6



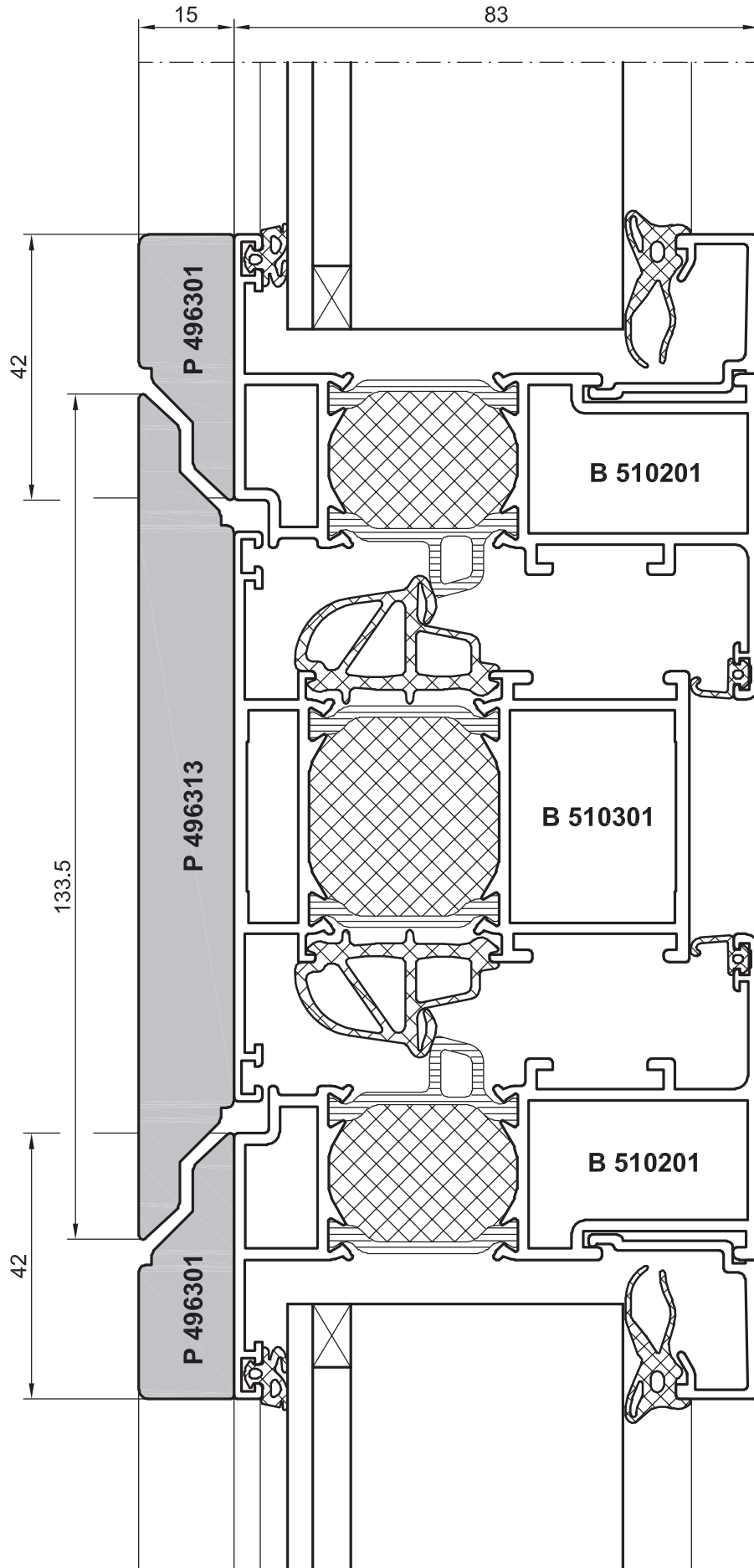
The bullet-proof materials are tested and approved products by HUECK-Hartmann. Alternative materials are not permitted.

M 1:1



The bullet-proof materials are tested and approved products by HUECK-Hartmann. Alternative materials are not permitted.

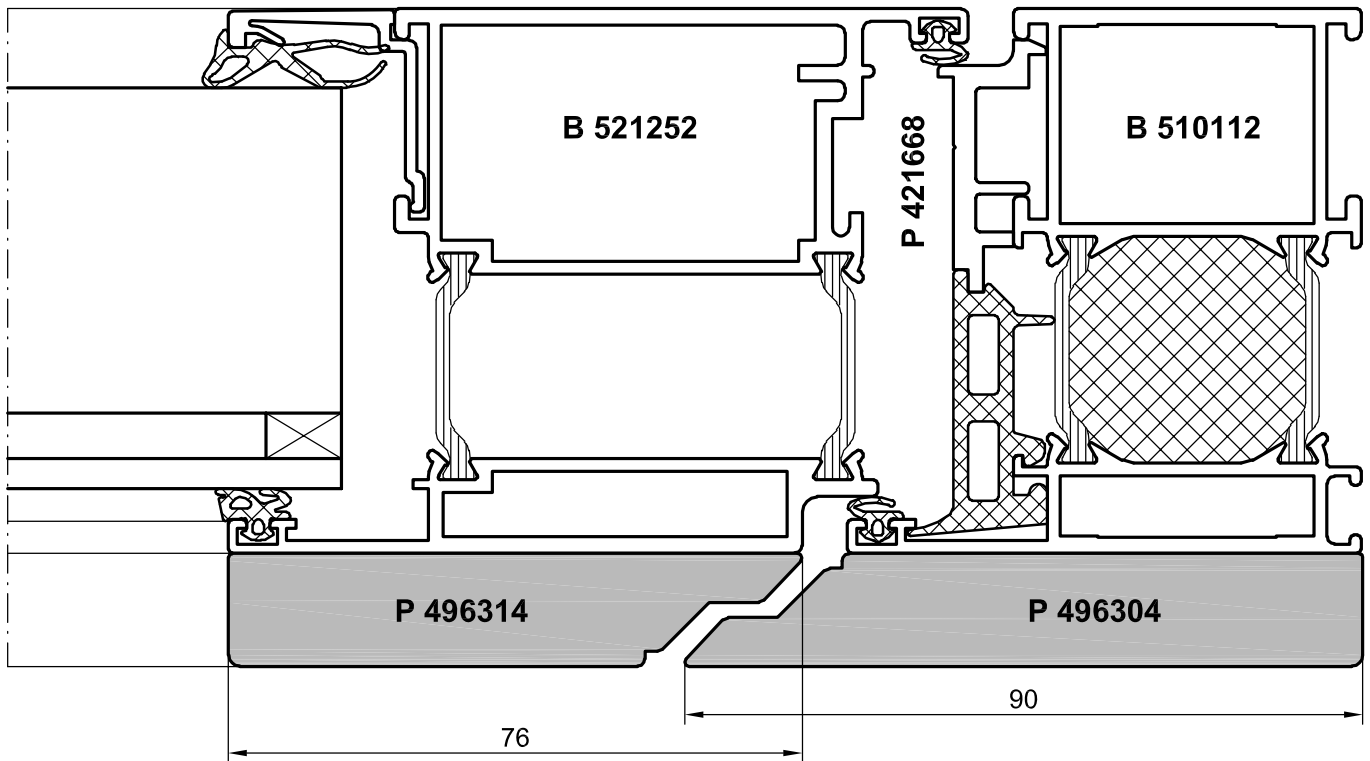
M 1:1



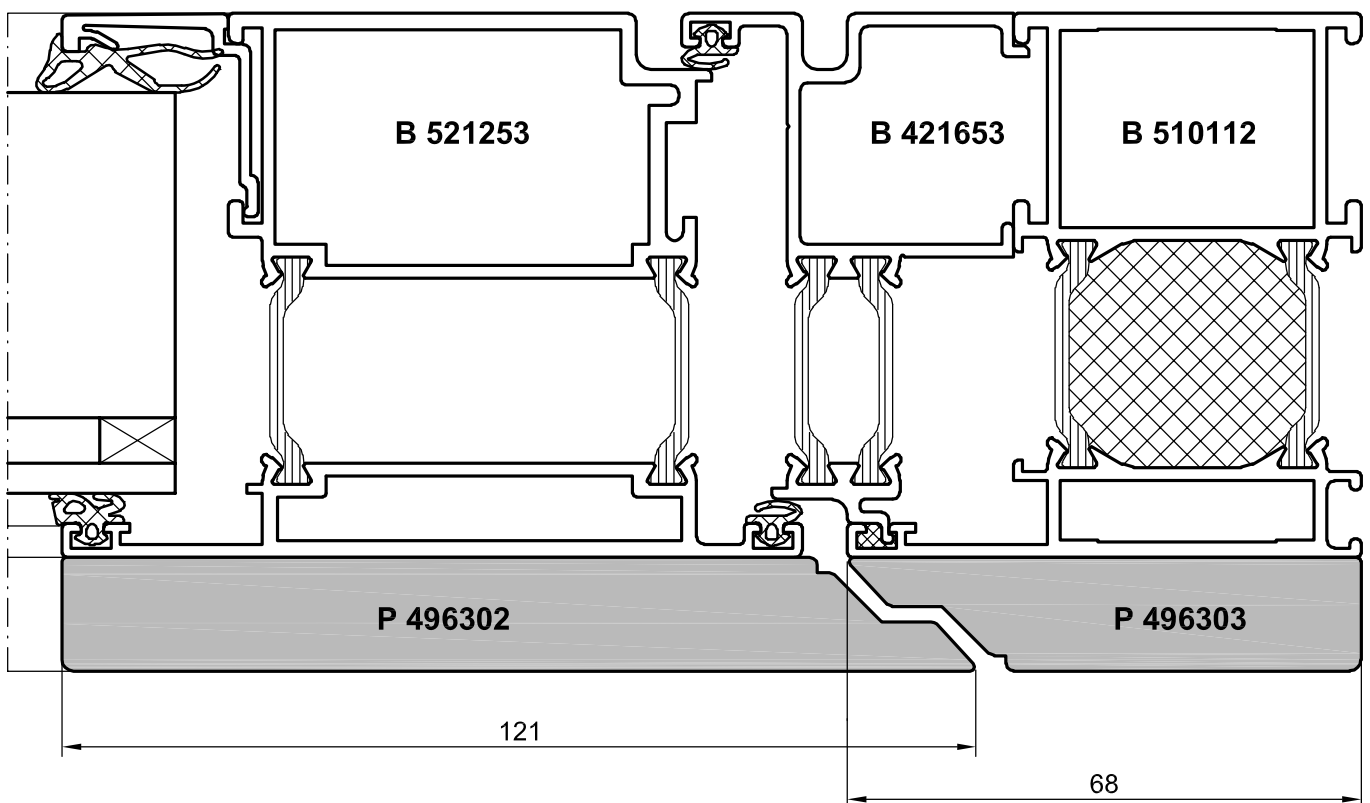
The bullet-proof materials are tested and approved products by HUECK-Hartmann. Alternative materials are not permitted.

M 1:1

Horizontal section - opening in

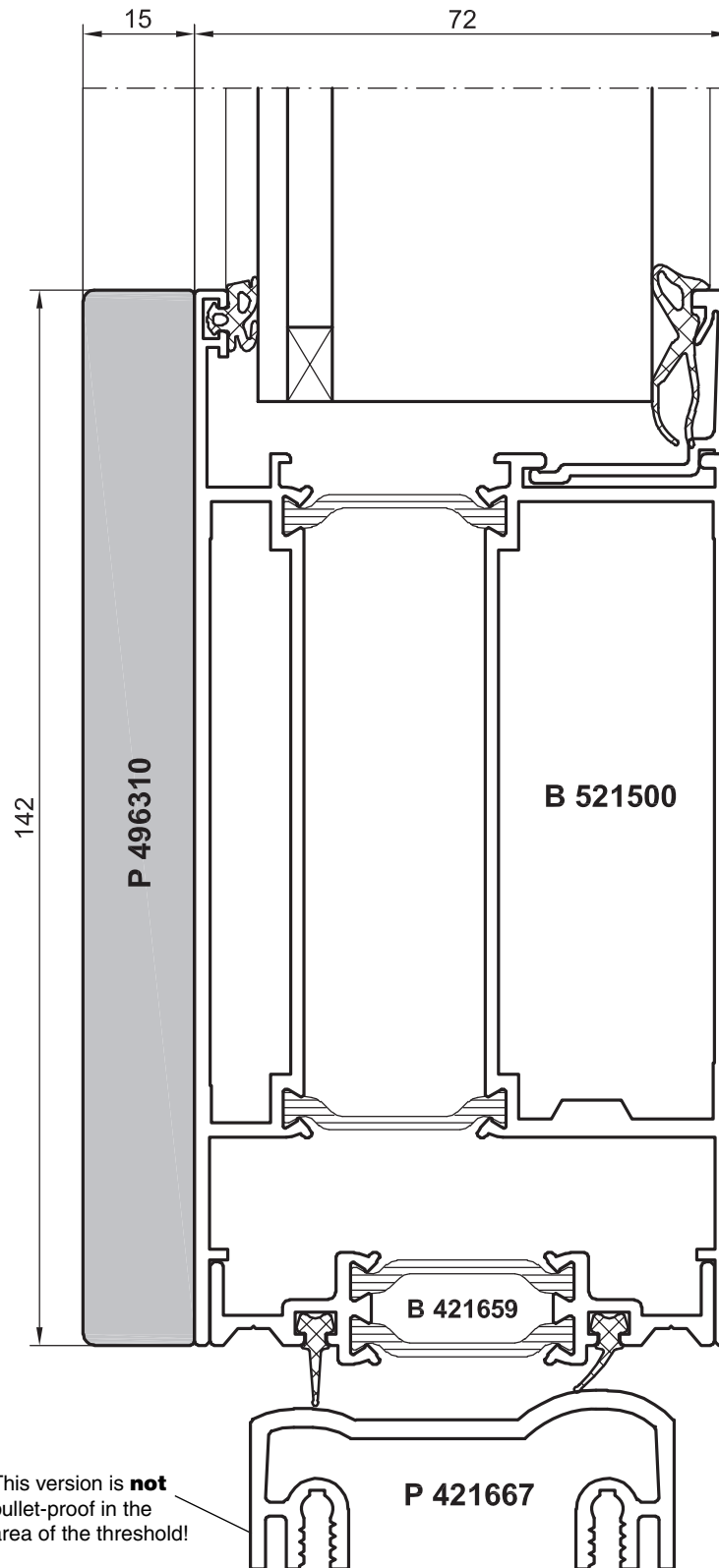


Horizontal section - opening out



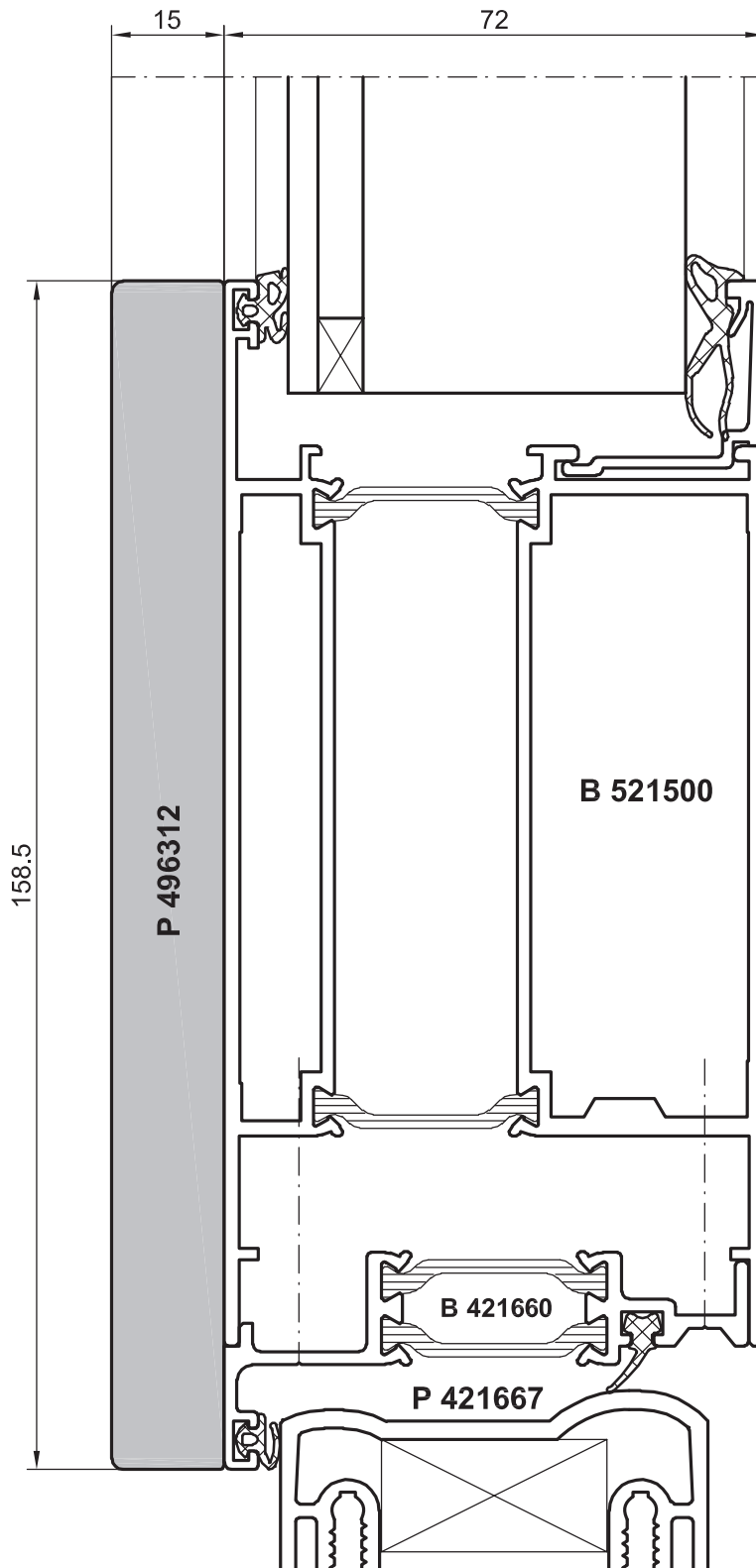
The bullet-proof materials are tested and approved products by HUECK-Hartmann. Alternative materials are not permitted.

M 1:1



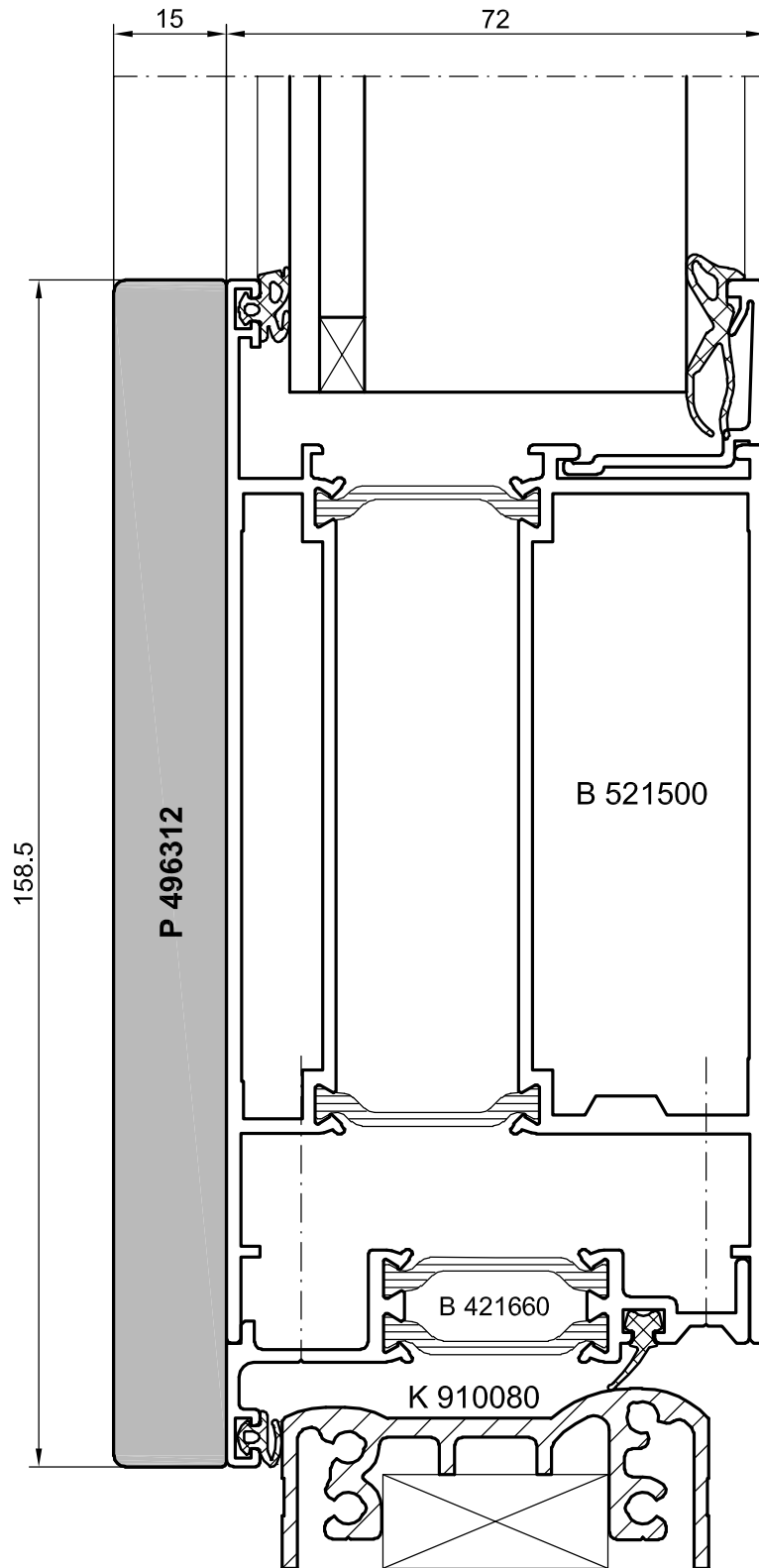
The bullet-proof materials are tested and approved products by HUECK-Hartmann. Alternative materials are not permitted.

M 1:1



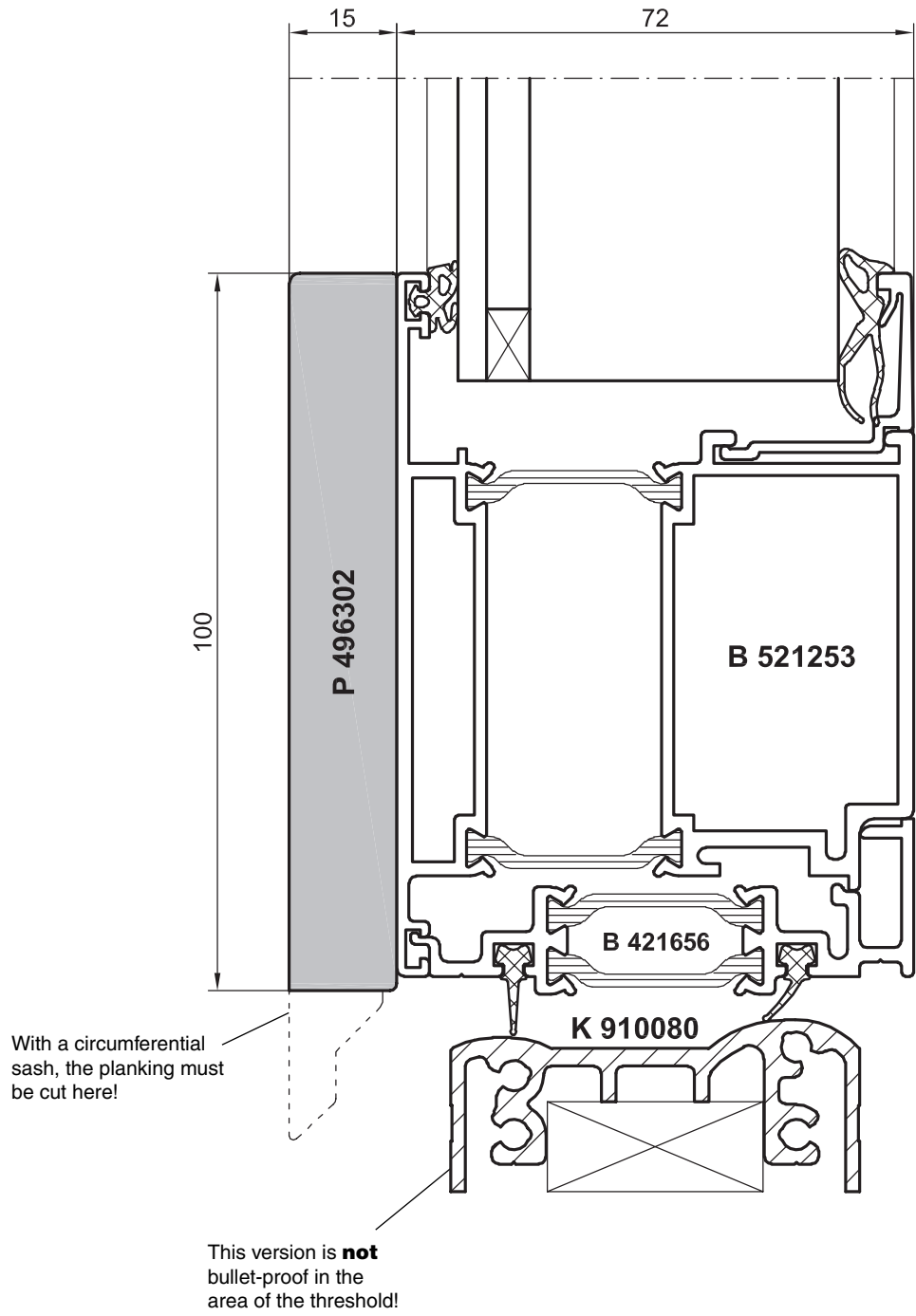
The bullet-proof materials are tested and approved products by HUECK-Hartmann. Alternative materials are not permitted.

M 1:1



The bullet-proof materials are tested and approved products by HUECK-Hartmann. Alternative materials are not permitted.

M 1:1



The bullet-proof materials are tested and approved products by HUECK-Hartmann. Alternative materials are not permitted.

M 1:1



Accessories for safety constructions, bullet-proof window FB 4 - NS

Turn/tilt fitting, clamp-on design, concealed, with external pivoting point,
for heavy glass weights, max. sash weight 160 kg
Processing and assembling drawing: Register 100

Series

1.0

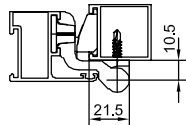
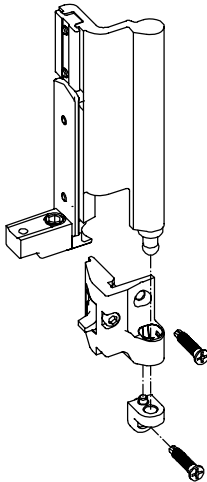
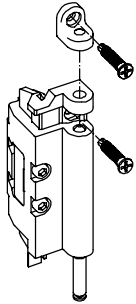


**(A) Basic fitting,
excluding handle**

**Z 995 997 02 DIN L
Z 995 997 64**

**Z 995 998 02 DIN R
Z 995 998 64**

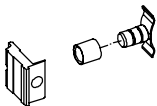
600 mm stay-arm hinge,
made of rustproof material,
stay-arm bearing and corner
bearing with additional screws,
max. sash weight **160 kg**,
complete, excluding operating rods
P 496 099



Minimum space required
at the frame = 22 mm

**(B) Z 994 156
Additional vertical lock,**
required from a sash height of 1400 mm

**(C) Z 994 257
Additional horizontal lock,**
required from a sash width of 1400 mm



Reinforced corner brackets must be used in
the fixed frame on the hinge side.

Use corner connections for pegging only on inquiry!
Use T-brackets only on inquiry!

Corner brackets for hinge side:

Z 912 904

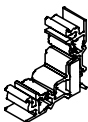
Corner bracket for profile chamber height 25.1 mm
for profiles B 510100 - 107

Z 912 906

Corner bracket for profile chamber height 33.6 mm
for profiles B 510112

Z 912 902

Backing plate for corner bracket



- **Please note!**
For bullet-proof windows we recommend
the use of basic fittings
Z 995 997 02
Z 995 997 64
Z 995 998 02
Z 995 998 64
cf. Register: **Fittings**

- **Please observe the application
diagrams under consideration
of the heavy glass weights
cf. Register: **Fittings****

- **Further fitting data can be taken
of Register **Fittings****

- **Accessories for window units
can be taken of **Series 1.0**
cf. Register: **Accessories****

- **Attention!**
Take care with the choice of glazing tables
glass sizes and glass weights!

- **Please observe the assembly instructions
for bullet-proof units!**

