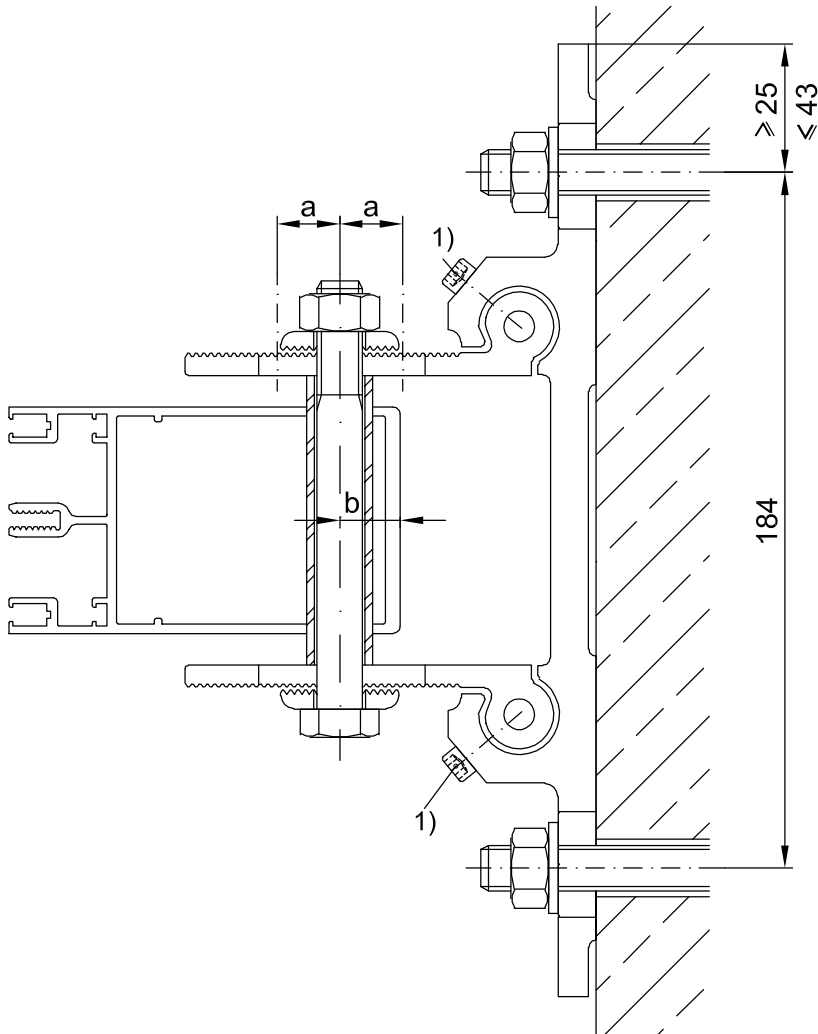


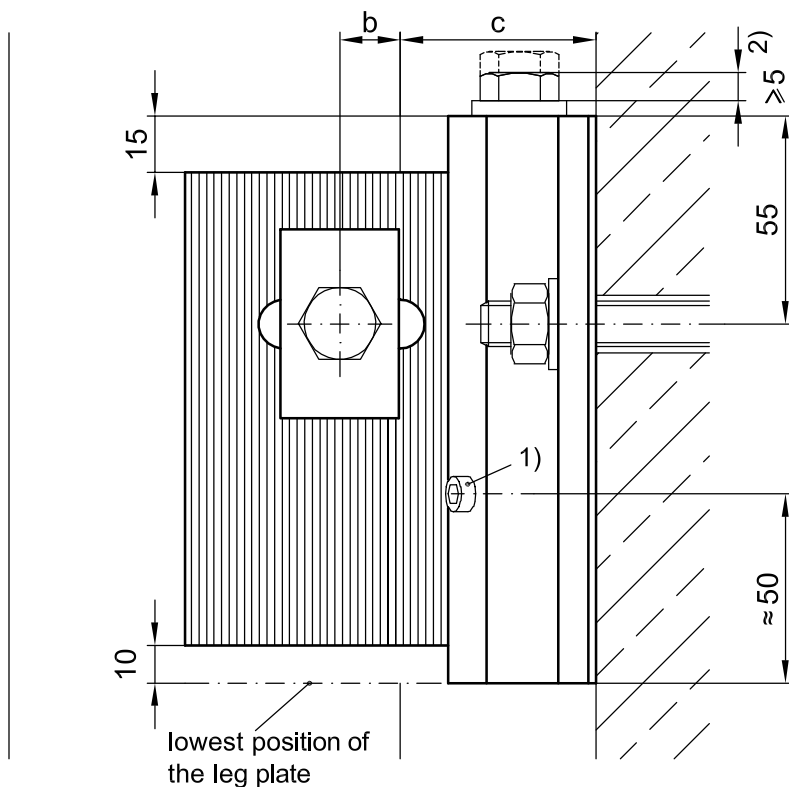
**Mullion adjustment area
Long console
Façade 1.0 VF60**



Mullion depth	a	b	c	
			min	max
76.5	16	16	36	68
103.5	16	16	36	68
≥ 136.5	16	38	14	46

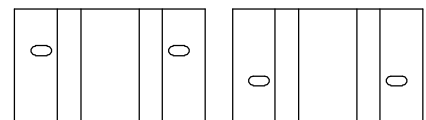
1) For fixed bearing only:
Screw 24 081 0 (4.8x19)
or alternatively 912 749.
Pre-drill wall panel,
diameter 5 mm.
Leg plate to be drilled
by building contractor,
diameter 4.5 mm,
after height adjustment.

2) For movable bearing



Information:

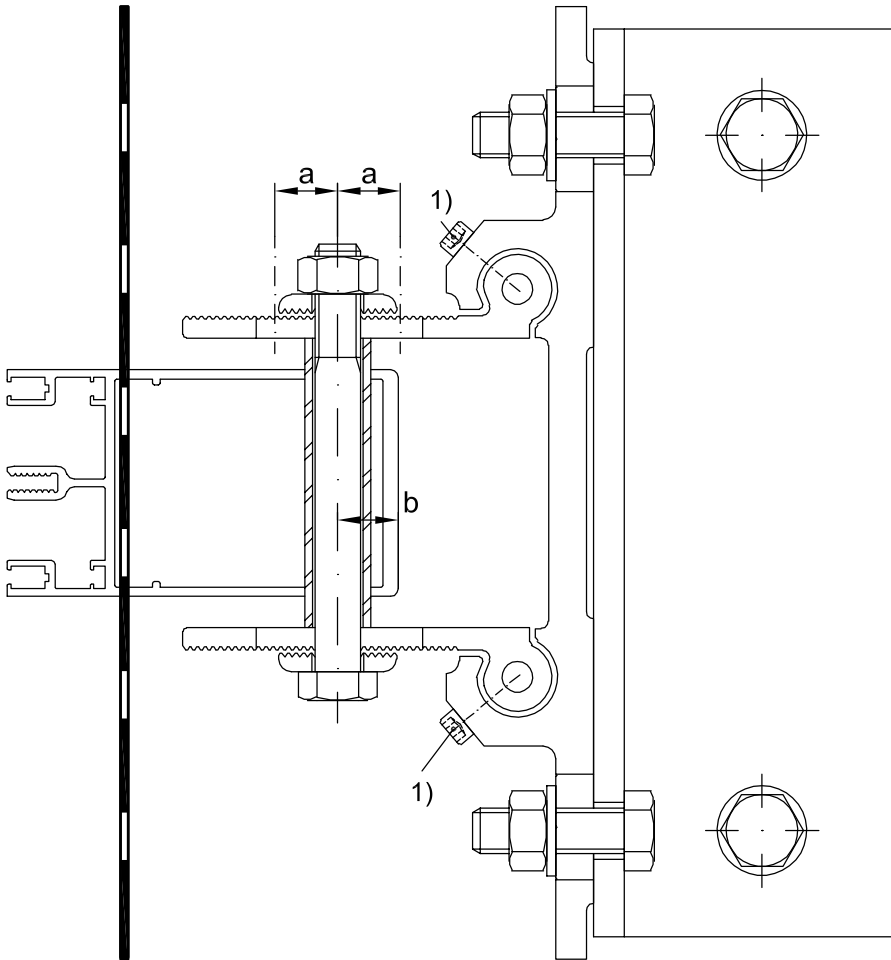
Please observe the position of the slots in the wall panel.



correct

incorrect

Mullion adjustment area
Short console
Façade 1.0 VF60



Mullion depth	a	b	c	
			min	max
76.5 ³⁾	16	16	36	68
103.5	16	16	36	68
≥136.5	16	38	14	46

- 1) For fixed bearing only:
 Screw 24 081 0 (4.8x19)
 or alternatively 912 749.
 Pre-drill wall panel,
 diameter 5 mm.
 Leg plate to be drilled
 by building contractor,
 diameter 4.5 mm,
 after height adjustment.
- 2) Slot milling for connection
 foil to the structure
- 3) Not in connection with
 short console at
 head and sill

