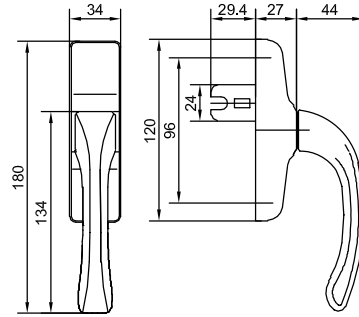


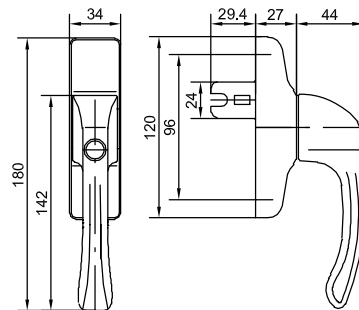
## Handles including fixing screws for side-hung and turn-tilt sash fittings

### Series

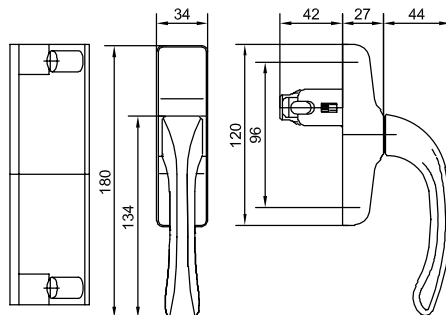
	1.0	1.0 IF	A 72
<b>Z 911 590 02</b> <b>Z 911 590 64</b> Gear handle, rotating handle, including fixing screws	•	•	•
<b>Z 911 592 02</b> <b>Z 911 592 64</b> Gear handle, rotating handle, lockable, including fixing screws	•	•	•
<b>Z 994 188 02</b> <b>Z 994 188 64</b> Gear handle, rotating handle, including safety device to prevent false operation, including fixing screws	•	•	•
<b>Z 994 189 02</b> <b>Z 994 189 64</b> Gear handle, rotating handle, lockable, including safety device to prevent false operation, including fixing screws	•	•	•
<b>Z 994 190 02</b> <b>Z 994 190 64</b> Gear handle DIN left, rotating handle, lockable, with TBT - function (tilt before turn), including safety device to prevent false operation, including fixing screws	•	•	•
<b>Z 994 191 02</b> <b>Z 994 191 64</b> Gear handle DIN right, rotating handle, lockable, with TBT - function (tilt before turn), including safety device to prevent false operation, including fixing screws	•	•	•



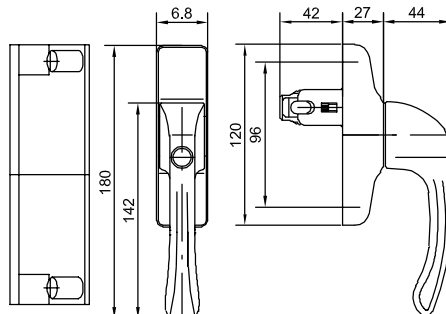
**Z 911 590 02**  
**Z 911 590 64**  
Gear handle,  
rotating handle,  
including fixing screws



**Z 911 592 02**  
**Z 911 592 64**  
Gear handle,  
rotating handle, lockable,  
including fixing screws



**Z 994 188 02**  
**Z 994 188 64**  
Gear handle,  
rotating handle,  
including safety device to  
prevent false operation,  
including fixing screws

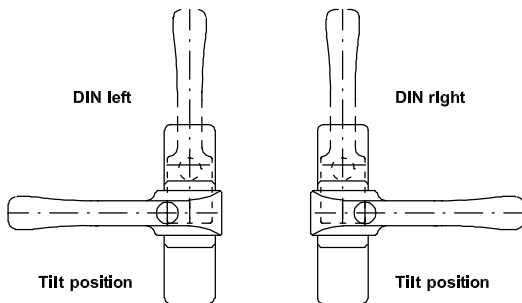


**Z 994 189 02**  
**Z 994 189 64**  
Gear handle,  
rotating handle, lockable,  
including safety device to  
prevent false operation,  
including fixing screws

DIN left

DIN right

Locked position



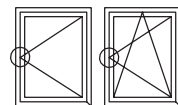
Tilt position

Tilt position

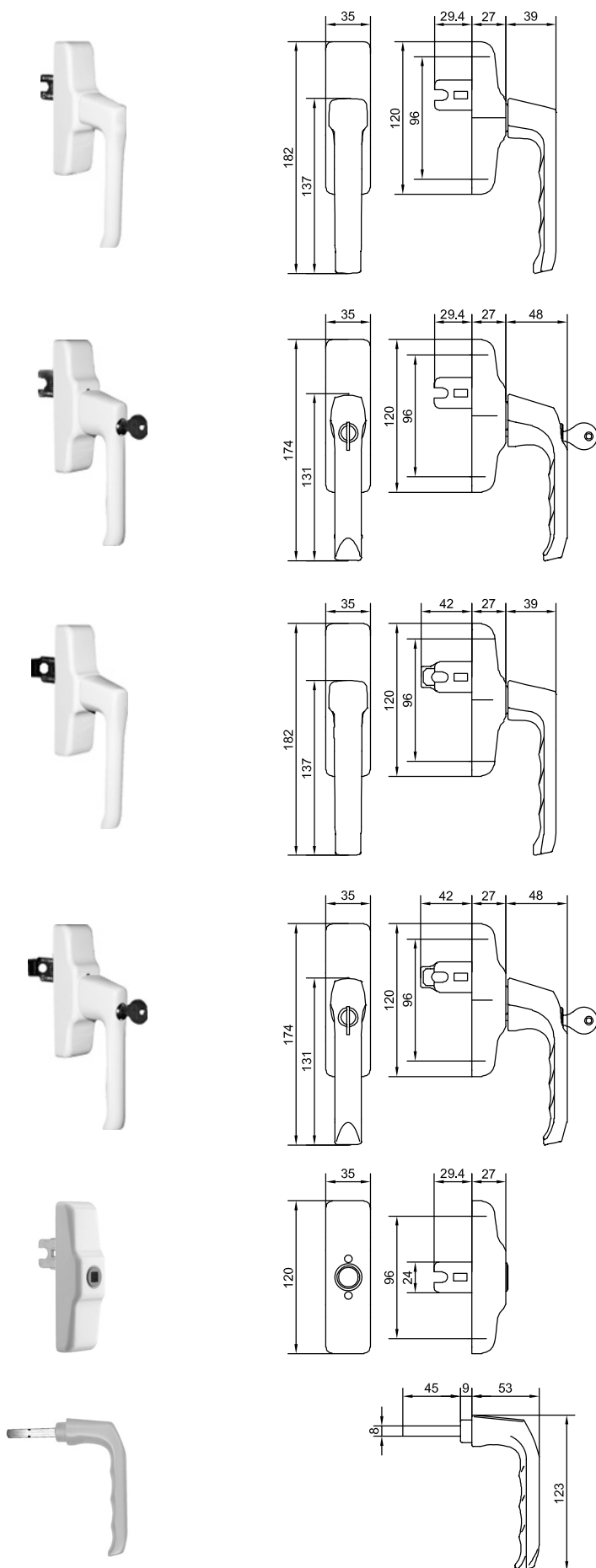
If locked, these handles enable the window to be operated from the locked position to the tilted position. The side-hung position remains locked.

Left handles are required for DIN L turn-tilt fittings while right handles are required for DIN R.

If no lockable version is required, handles **Z 911 590**, **Z 911 767**, **Z 994 188** and **Z 994 209** can be used.



## Handles including fixing screws for side-hung and turn-tilt sash fittings



**Z 911 767 02**  
**Z 911 767 64**  
Gear handle,  
rotating handle,  
including fixing screws

**Z 911 768 02**  
**Z 911 768 64**  
Gear handle,  
rotating handle, lockable,  
including fixing screws

**Z 994 209 02**  
**Z 994 209 64**  
Gear handle,  
rotating handle,  
including safety device to  
prevent false operation,  
including fixing screws

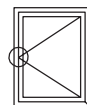
**Z 994 210 02**  
**Z 994 210 64**  
Gear handle,  
rotating handle, lockable,  
including safety device to  
prevent false operation,  
including fixing screws

**Z 911 723 02**  
**Z 911 723 64**  
Budget lock, can be used  
optional to side-hung and  
turn/tilt sash fittings

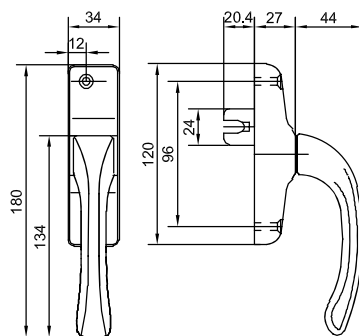
**Z 911 758 64**  
Square socket key,  
suitable for  
budget lock **Z 911 723**

### Series

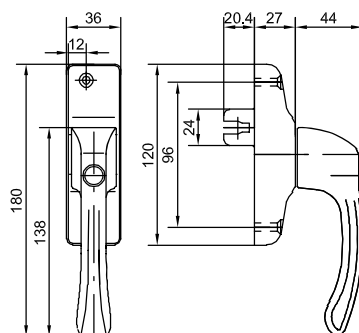
	1.0	1.0 IF	A 72
Z 911 767 02 Z 911 767 64	•	•	•
Z 911 768 02 Z 911 768 64	•	•	•
Z 994 209 02 Z 994 209 64	•	•	•
Z 994 210 02 Z 994 210 64	•	•	•
Z 911 723 02 Z 911 723 64	•	•	•
Z 911 758 64	•	•	•



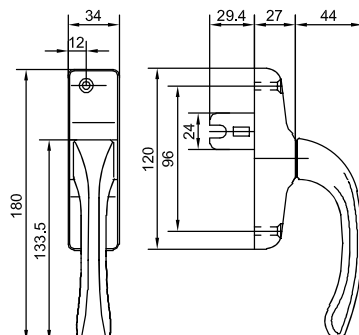
## Handles, including fixing screws for side-hung fittings



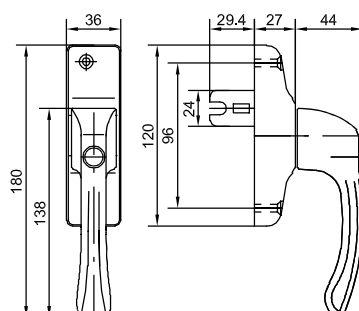
**Z 912 044 02**  
**Z 912 044 64**  
Gear handle,  
rotating handle,  
including fixing screws  
for side-hung sash opening out



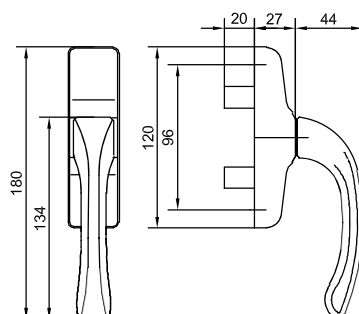
**Z 912 376 02**  
**Z 912 376 64**  
Gear handle,  
rotating handle, lockable  
including fixing screws  
for side-hung sash opening out



**Z 912 027 02**  
**Z 912 027 64**  
Gear handle,  
rotating handle,  
including fixing screws  
for side-hung sash opening out



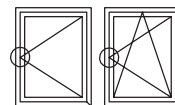
**Z 914 012 02**  
**Z 914 012 64**  
Gear handle,  
rotating handle, lockable  
including fixing screws  
for side-hung sash opening out



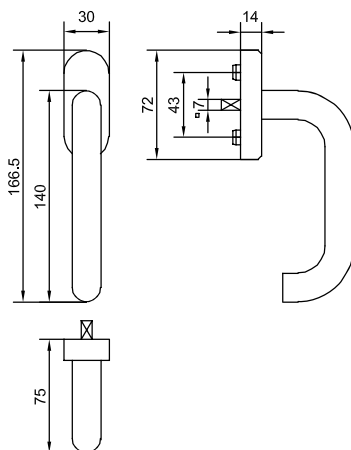
**Z 911 763 02**  
**Z 911 763 64**  
Gear handle,  
rotating handle,  
with two forks,  
including fixing screws,  
for secondary sash elements  
with two side-hung sashes

### Series

	1.0	1.0 IF	A 72
Z 912 044 02 Z 912 044 64	•		
Z 912 376 02 Z 912 376 64	•		
Z 912 027 02 Z 912 027 64			•
Z 914 012 02 Z 914 012 64			•
Z 911 763 02 Z 911 763 64			•

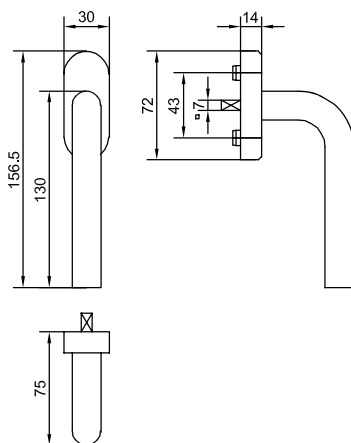


Window handles, suitable for rebate gears Z 993 450 and Z 909 290  
for side-hung and turn-tilt sash fittings



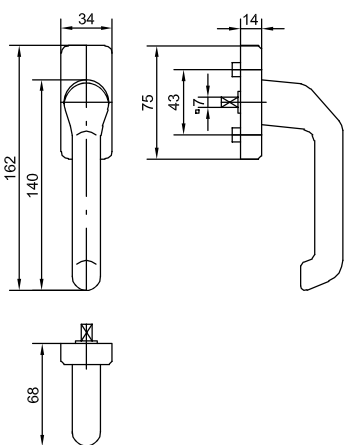
**Z 909 714 02**  
**Z 909 714 31**  
Window handle,  
with 7 mm square pin,  
Length = 12.5 mm,  
for rebate gears

**Z 900 255**  
Fixing screw,  
DIN 965,  
M5 x 20,  
2 each required



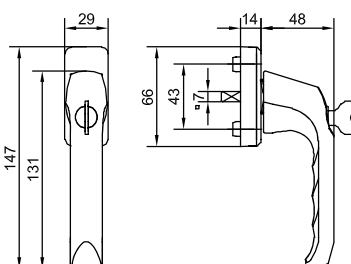
**Z 909 715 02**  
**Z 909 715 31**  
Window handle,  
with 7 mm square pin,  
Length = 12.5 mm,  
for rebate gears

**Z 900 255**  
Fixing screw,  
DIN 965,  
M5 x 20,  
2 each required



**Z 909 427 02**  
**Z 909 427 64**  
Window handle,  
with 7 mm square pin,  
Length = 12.5 mm,  
for rebate gears

**Z 901 212**  
Fixing screw,  
DIN 965,  
M5 x 25,  
2 each required



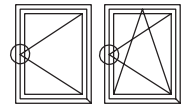
**Z 909 875 02**  
**Z 909 875 64**  
Window handle,  
with 7 mm square pin,  
Length = 12.5 mm,  
for rebate gears, lockable,  
with TBT - function  
(tilt before turn)

**Z 901 212**  
Fixing screw,  
DIN 965,  
M5 x 25,  
2 each required

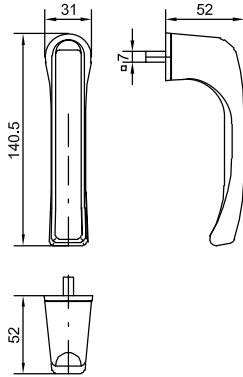
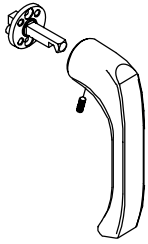
If locked, this window handle allows window  
operation from closed to tilted position while  
the turning position remains blocked.

## Series

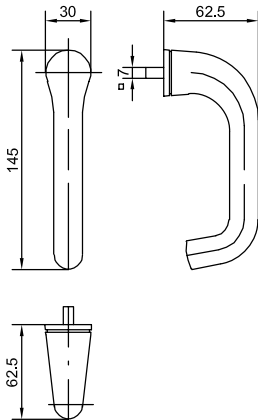
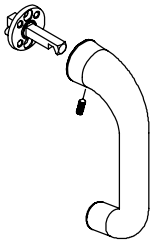
	1.0	1.0 IF	A 72
<b>Z 909 714 02</b> <b>Z 909 714 31</b>	•	•	•
<b>Z 909 715 02</b> <b>Z 909 715 31</b>	•	•	•
<b>Z 909 427 02</b> <b>Z 909 427 64</b>	•	•	•
<b>Z 909 875 02</b> <b>Z 909 875 64</b>	•	•	•
<b>Z 901 212</b>	•	•	•



Window handles, suitable for rebate gears Z 993 450 and Z 909 290  
for side-hung and turn-tilt sash fittings

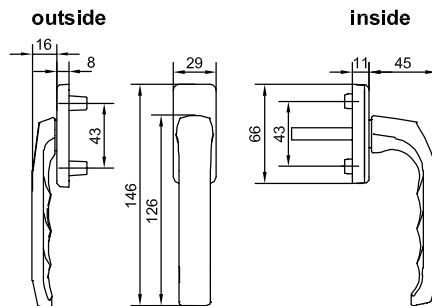


**Z 994 081 02**  
**Z 994 081 64**  
Window handle, complete,  
without Rosette,  
with 7 mm square pin,  
suitable for rebate gears

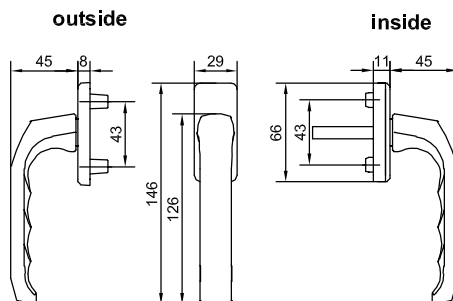


**Z 994 082 02**  
**Z 994 082 64**  
Window handle, complete,  
without Rosette,  
with 7 mm square pin,  
suitable for rebate gears

Window handles, with square pin, for inside and outside operation  
for rebate gear Z 993 130



**Z 993 139 02**  
**Z 993 139 64**  
Window handles,  
with 7 mm square pin,  
for inside and outside operation,  
suitable for roller shutter installation,  
including fixing screws  
**Z 911 572** - DIN 965 - M5 x 90



**Z 993 132 02**  
**Z 993 132 64**  
Window handles,  
with 7 mm square pin,  
for inside and outside operation,  
**not** suitable for roller shutter  
installation, including fixing screws  
**Z 911 572** - DIN 965 - M5 x 90

### Series

	1.0	1.0 IF	A 72
Z 994 081 02 Z 994 081 64	•	•	•
Z 994 082 02 Z 994 082 64	•	•	•
Z 993 139 02 Z 993 139 64	•		
Z 993 132 02 Z 993 132 64	•		