

Mortise locks with 9 mm spindle hole, designated for profile cylinder, with suitable strike plates, analogously to the mortise anti-panic locks, however without panic function

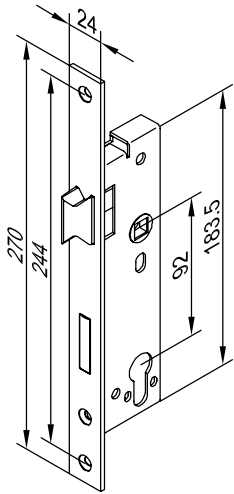
Processing and assembling drawing: Register 700

WILKA ●

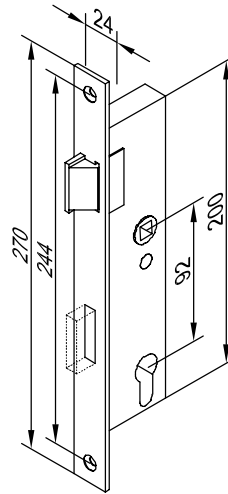
Door-Series

BKS ■

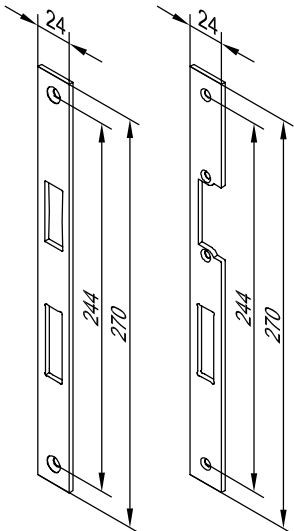
Door-Series



Z 994 779
Mortise lock with rustproof front plate, 35 mm backset, single-turn, (with change-over), 9 mm spindle hole, designated for profile cylinder, suitable for left and right due to reversible latch bolt



Z 994 649
Mortise lock with rustproof front plate, 35 mm backset, single-turn, (with change-over), 9 mm spindle hole, designated for profile cylinder, suitable for left and right due to reversible latch bolt

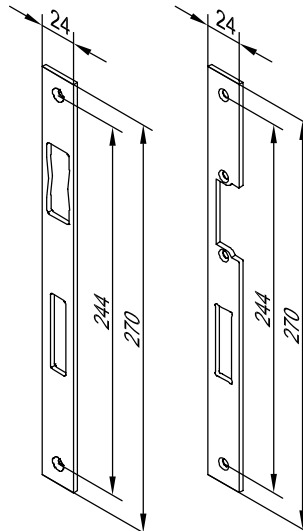


Z 994 648 31

Z 994 471 31

Z 994 648 31
Strike plate, stainless steel, suitable for **DIN L** and **DIN R**, 270 x 24 x 3 mm

Z 994 471 31
Strike plate, stainless steel, designated for electric door opener, suitable for **DIN L** and **DIN R**, 270 x 24 x 3 mm

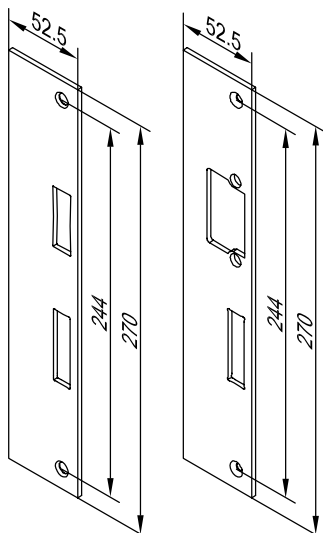


Z 992 998 31

Z 994 472 31

Z 992 998 31
Strike plate, stainless steel, suitable for **DIN L** and **DIN R**, 270 x 24 x 3 mm

Z 994 472 31
Strike plate, stainless steel, designated for electric door opener, suitable for **DIN L** and **DIN R**, 270 x 24 x 3 mm



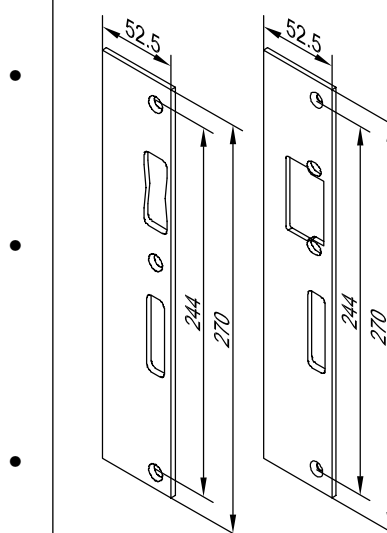
Z 994 786 31

Z 994 787 31
Z 994 788 31

Z 994 786 31
Strike plate, stainless steel, suitable for **DIN L** and **DIN R**, 270 x 52.5 x 3 mm, for doors opening **out**

Z 994 787 31
Strike plate, stainless steel, designated for electric door opener, **DIN Left**, 270 x 52.5 x 3 mm, for doors opening **out**

Z 994 788 31
Strike plate, stainless steel, designated for electric door opener, **DIN Right**, 270 x 52.5 x 3 mm, for doors opening **out**



Z 994 669 31

Z 994 645 31
Z 994 646 31

Z 994 669 31
Strike plate, stainless steel, suitable for **DIN L** and **DIN R**, 270 x 52.5 x 3 mm, for doors opening **out**

Z 994 645 31
Strike plate, stainless steel, designated for electric door opener, **DIN Left**, 270 x 52.5 x 3 mm, for doors opening **out**

Z 994 646 31
Strike plate, stainless steel, designated for electric door opener, **DIN Right**, 270 x 52.5 x 3 mm, for doors opening **out**

1.0
●
●
●
●
●
●
●
●
●
●
●

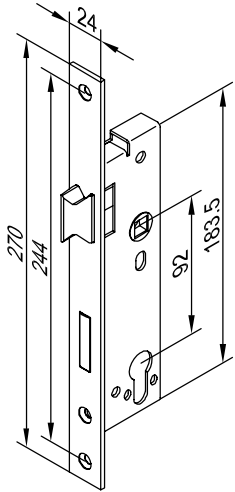
1.0
●
●
●
●
●
●
●
●
●
●
●

Electric door opener cf. Page 30

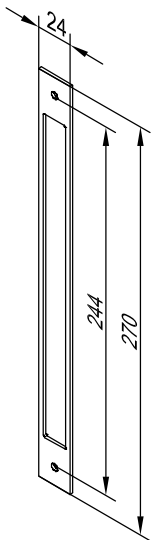
Mortise locks with 9 mm spindle hole, designated for profile cylinder, with suitable strike plates, analogously to the mortise anti-panic locks, however without panic function

Processing and assembling drawing: Register 700

WILKA ●

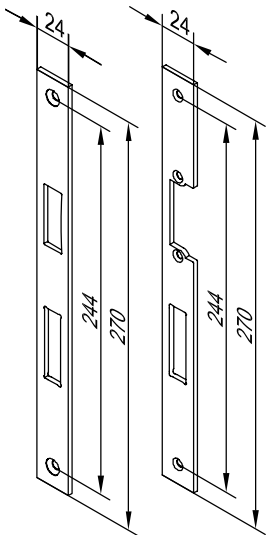


Z 994 779
Mortise lock with rustproof front plate, 35 mm backset, single-turn, (with change-over), 9 mm spindle hole, designated for profile cylinder, suitable for left and right due to reversible latch bolt



Z 912 706
Base for lock and strike plate, suitable for **DIN L** and **DIN R** 270 x 24 x 3 mm

For Series RSC only
Please order separately!



Z 994 648 31
Strike plate, stainless steel, suitable for **DIN L** and **DIN R**, 270 x 24 x 3 mm

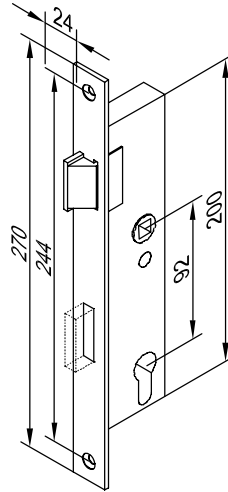
Z 994 471 31
Strike plate, stainless steel, designated for electric door opener, suitable for **DIN L** and **DIN R**, 270 x 24 x 3 mm

Z 994 648 31 Z 994 471 31

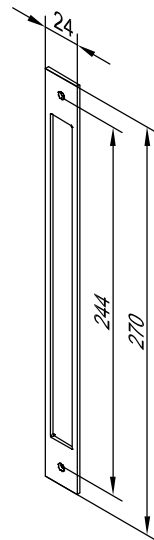
Door-Series

RSC without RS	A 72
●	●
●	
●	●
●	●

BKS ■

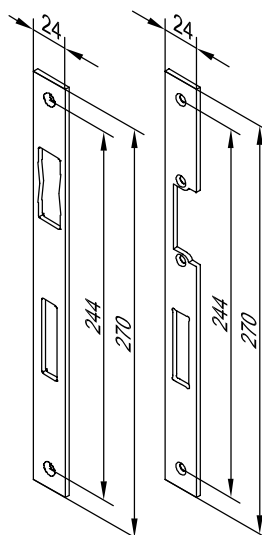


Z 994 649
Mortise lock with rustproof front plate, 35 mm backset, single-turn, (with change-over), 9 mm spindle hole, designated for profile cylinder, suitable for left and right due to reversible latch bolt



Z 912 706
Base for lock and strike plate, suitable for **DIN L** and **DIN R** 270 x 24 x 3 mm

For Series RSC only
Please order separately!



Z 992 998 31
Strike plate, stainless steel, suitable for **DIN L** and **DIN R**, 270 x 24 x 3 mm

Z 992 472 31
Strike plate, stainless steel, designated for electric door opener, suitable for **DIN L** and **DIN R**, 270 x 24 x 3 mm

Z 992 998 31 Z 994 472 31

Electric door opener cf. Page 30

Door-Series

RSC without RS	A 72
●	●
●	
●	●
●	●