

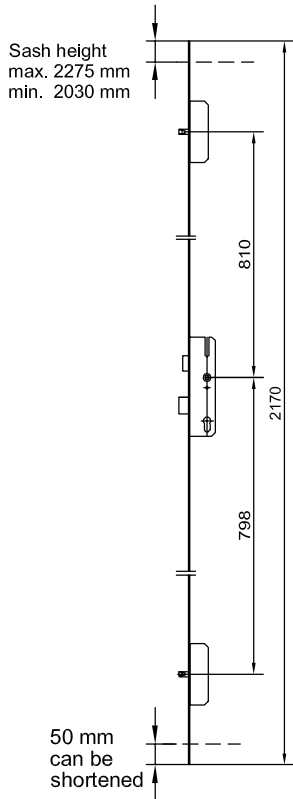
Fittings and accessories for burglar-resistant single and double-sash doors  
in accordance with DIN V ENV 1627 with sash profile B 521252 / 253, opening in and out

Processing and assembling drawing: Register 700

## Door-Series

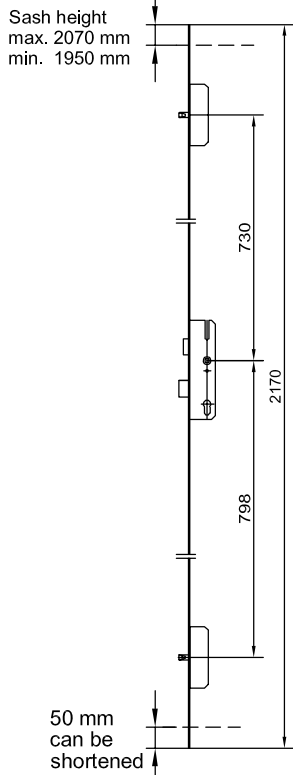
## Door-Series

Door locks WK 2, including strike plates  
for additional locks



**Z 994 361** galvanized  
**Z 994 361 64** painted  
**Z 994 361 31** rustproof

Mortise triple-bolt  
safety door lock,  
galvanized, double-turn,  
40 mm backset,  
suitable for DIN L and DIN R



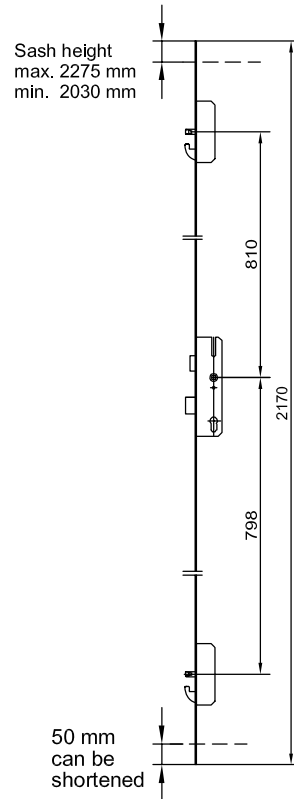
**Z 994 362** galvanized  
**Z 994 362 64** painted  
**Z 994 362 31** rustproof

Mortise triple-bolt  
safety door lock,  
galvanized, double-turn,  
40 mm backset,  
suitable for DIN L and DIN R

**1.0**

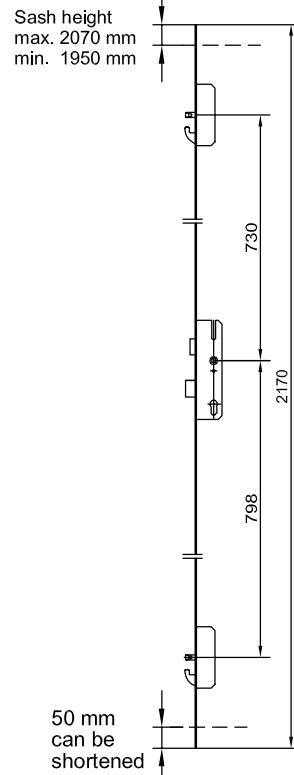
2/2007

Door locks WK 3, including strike plates  
for additional locks



**Z 994 363** galvanized  
**Z 994 363 64** painted  
**Z 994 363 31** rustproof

Mortise triple-bolt  
safety door lock,  
galvanized, double-turn,  
40 mm backset,  
suitable for DIN L and DIN R



**Z 994 364** galvanized  
**Z 994 364 64** painted  
**Z 994 364 31** rustproof

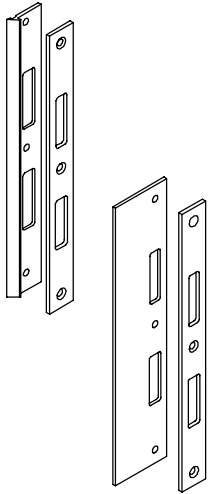
Mortise triple-bolt  
safety door lock,  
galvanized, double-turn,  
40 mm backset,  
suitable for DIN L and DIN R

**1.0**

Fittings and accessories for burglar-resistant single and double-sash doors  
in accordance with DIN V ENV 1627 with sash profile B 521252 / 253, opening in and out

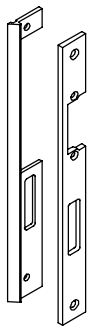
Processing and assembling drawing: Register 700

## Strike plates WK 2 / WK 3



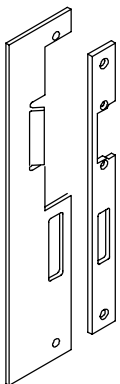
**Z 994 365 64**  
**Z 994 365 31**  
Strike plate for the main lock area on door locks Z 994 361 - 364, for doors opening **in**

**Z 994 366 64**  
**Z 994 366 31**  
Strike plate for the main lock area on door locks Z 994 361 - 364, for doors opening **out**



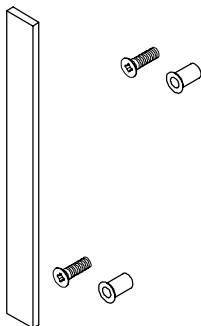
**Z 994 367 64 DIN L**  
**Z 994 367 31 DIN L**  
Strike plate for the main lock area on door locks Z 994 361 - 364, designated for electric door opener, for doors opening **in**

**Z 994 368 64 DIN R**  
**Z 994 368 31 DIN R**  
Strike plate for the main lock area on door locks Z 994 361 - 364, designated for electric door opener, for doors opening **in**



**Z 994 369 64 DIN L**  
**Z 994 369 31 DIN L**  
Strike plate for the main lock area on door locks Z 994 361 - 364, designated for electric door opener, for doors opening **out**

**Z 994 370 64 DIN R**  
**Z 994 370 31 DIN R**  
Strike plate for the main lock area on door locks Z 994 361 - 364, designated for electric door opener, for doors opening **out**



**Z 994 371**  
WK 2 fixing material set for door locks Z 994 361 / 362 and strike plates Z 994 365 - 370  
1 required per door lock

**Z 994 372**  
WK 3 fixing material set for door locks Z 994 363 / 364 and strike plates Z 994 365 - 370  
1 required per door lock

## Door-Series

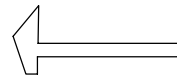
**FaFix** = Door opener with adjustable and lockable door opener latch  
**DC** = Direct current  
**AC** = Alternating current



**Z 904 269**  
Electric door opener, without unlocking, FaFix, 6 - 12 Volt DC, AC, suitable for left and right



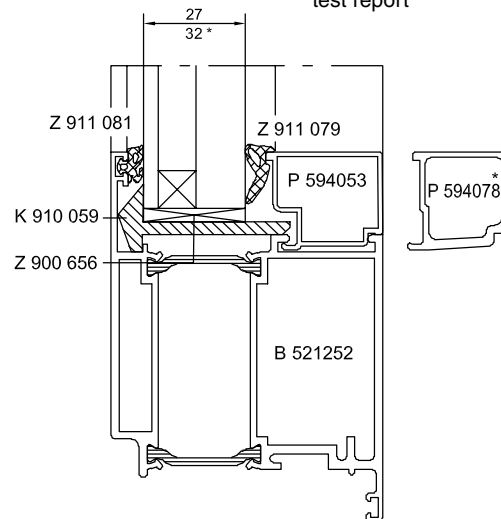
**Z 904 286**  
Electric door opener, with mechanical unlocking of electric opener latch during daytime, FaFix, 6 - 12 Volt DC, AC, suitable for left and right



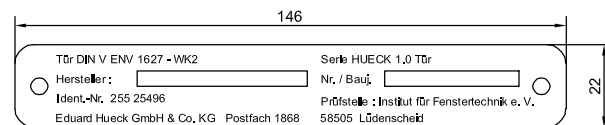
**Z 912 340**  
Electric door opener, with radius latch, without unlocking, FaFix, 6 - 12 Volt DC, AC, suitable for left and right

**Z 904 341**  
Electric door opener, with radius latch, with mechanical unlocking of electric opener latch during daytime, FaFix, 6 - 12 Volt DC, AC, suitable for left and right

**K 910 059**  
WK glazing base, Length = 5 m, continuous, with screw Z 900 656 secure in compliance with test report



**Z 912 701 - WK 2 Doors**  
**Z 912 702 - WK 3 Doors**  
Authorization shield for single and double-sash WK2 / WK3 doors



## Door-Series

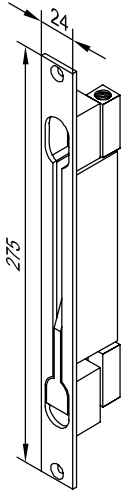
1.0



Fittings and accessories for burglar-resistant single and double-sash doors  
in accordance with DIN V ENV 1627 with sash profile B 521252 / 253, opening in and out

Processing and assembling drawing: Register 700

Fittings WK 2 / WK 3

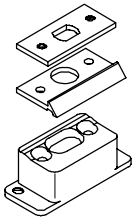


**Z 994 018**  
Flush bolt, double-sided effect,  
backset 35, galvanized,  
with lever for top-hung window,  
rod ends with M10 inner thread,  
20 mm lifting,  
**Please order operating rod  
separately!**

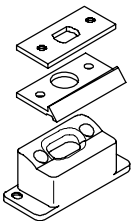
**Z 908 543**  
Operating rod, diam. 10 mm,  
M10 thread at one end,  
Length = 1500 mm  
2 required

**Z 912 699**  
Operating rod, diam. 12 mm,  
M10 thread at one end,  
Length = 1500 mm  
2 required

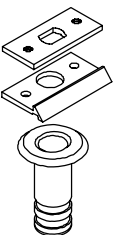
**Locking parts WK2,  
suitable for flush bolt**



**Z 994 332**  
Upper and lower locking part ,  
including fixing material,  
for doors opening **in**  
with espagnolette bolt  
Can be inserted into thresholds



**Z 994 333**  
Upper and lower locking part ,  
including fixing material,  
for doors opening **out**  
with espagnolette bolt  
can be inserted into thresholds

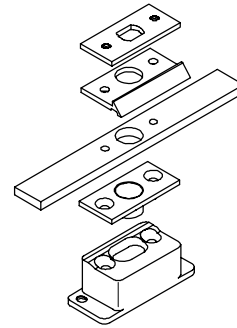


**Z 994 359**  
Upper locking part  
and ground sleeve,  
including fixing material,  
doors opening **in and out**  
with espagnolette bolt

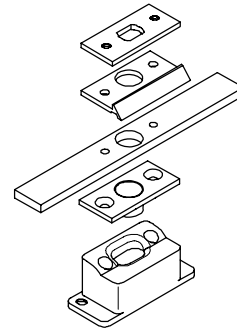
Door-Series

1.0	•
•	•
•	•
•	•
•	•
•	•
•	•

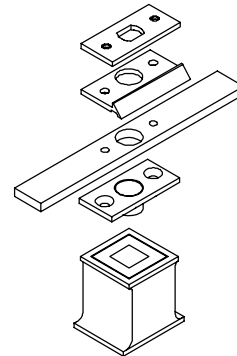
Locking parts WK3, suitable for flush bolt



**Z 994 334**  
Upper and lower locking part ,  
including fixing material,  
for doors opening **in**  
with espagnolette bolt  
Can be inserted into thresholds



**Z 994 335**  
Upper and lower locking part ,  
including fixing material,  
for doors opening **out**  
with espagnolette bolt  
can be inserted into thresholds



**Z 994 360**  
Upper locking part  
and ground sleeve,  
including fixing material,  
doors opening **in and out**  
with espagnolette bolt

Door-Series

1.0	•
•	•
•	•
•	•
•	•
•	•
•	•

Fittings and accessories for burglar-resistant single and double-sash doors  
in accordance with DIN V ENV 1627 with sash profile B 521252/253, opening in and out

Door hinges, screw-on type, with asymmetric adjustable bushes, for doors opening in and out

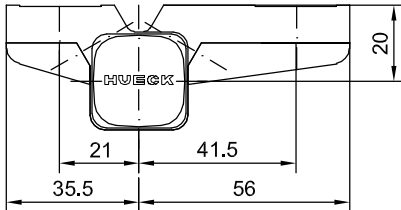
Adjustment range: horizontal =  $\pm 1.5$  mm; vertical = -1 mm, + 3 mm

Classification key: 

4	7	7	1	1	4	1	14	3-part
4	7	6	0	1	4	1	13	2-part

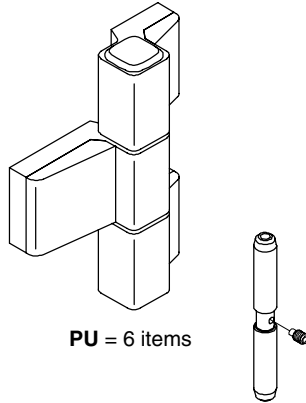
Processing and assembling drawing: Register 700

Door-Series



**Door hinge application:**  
WK 2 = doors opening in and out  
WK 3 = doors opening in

Use drilling jig  
Z 908 334



PU = 6 items

**Please note!**

Upon request, all door hinges can be supplied unassembled for special painting!

**DIN L**

**Z 994 213 02**

**Z 994 213 64**

Door hinge, 3-part, with 20 mm pivoting point  
PU = 6 items

**DIN R**

**Z 994 258 02**

**Z 994 258 64**

Door hinge, 3-part, with 20 mm pivoting point  
PU = 6 items

**Z 994 331**

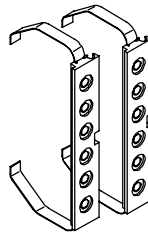
Axial pin, must be inserted on the WK2 door opening out

**Note:** Door height adjustment with axial pin Z 994 331 only possible every 180°

**Z 994 269**

Accessory set, including: Backing plates with spring, complete for one door hinge, for doors opening in and out, max. sash weight 130 kg

PU = 6 items



**Z 994 220**

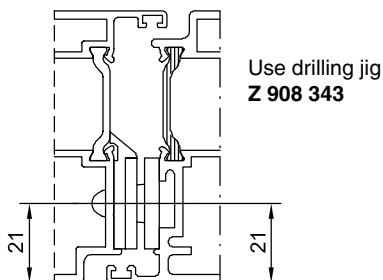
Accessory set, including: 6 spacer sleeves with screws, complete for one door hinge, for doors opening out, required if three-part hinge fixing is carried out in the inner chamber

PU = 6 items

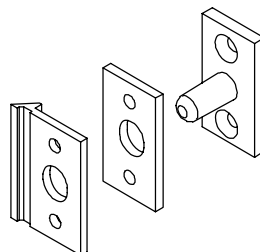


**Z 906 433**

Drive-in pin to secure screws, for hinge fastening screws, for doors opening out at least 3 required



Use drilling jig  
Z 908 343



**Z 994 663**

Safety pin with support, 3 required in hinge area

PU = Packing unit

1.0

Fittings and accessories for burglar-resistant single and double-sash doors, design WK2 / WK3  
in accordance with DIN V ENV 1627 with sash profile B 521252 / 253, opening in and out

Barrel hinges made of aluminium and steel, for doors opening in and out

Adjustment range: horizontal = max. - 2.5 mm; vertical =  $\pm 3$  mm

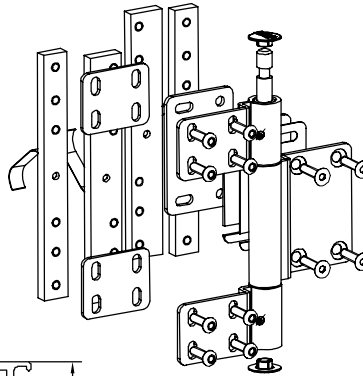
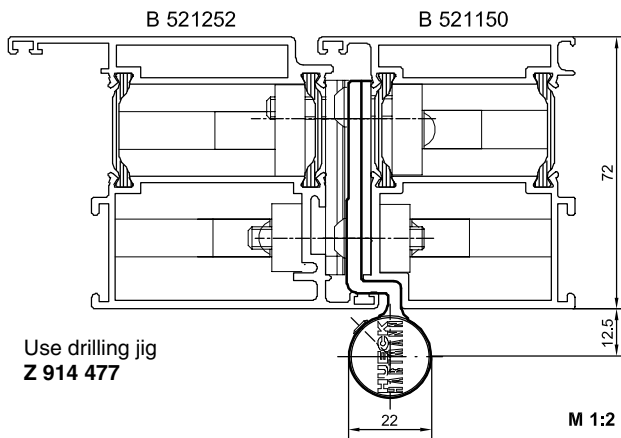
in accordance with EN 1935; Corrosion class 4; Classification key:

4	7	7	*	1	4	1	14	Alu
4	7	7	1	1	4	1	14	St / ER

Processing and assembling drawing: Register 700

Door-Series

1.0



**Z 994 647 02** silver painted

**Z 994 647 64** white coated

**Barrel hinge • Steel**

**Z 994 647 31**

**Barrel hinge • Stainless steel**

three-part,  
for doors opening in,  
Pivoting point = 12.5 mm  
complete, including accessory set  
**PU = 1 item**

**Z 994 928 02**

Accessory set height adjustment,  
for barrel hinges mentioned above,  
including: level adjustment trestle  
and threaded pin

**PU = 1 item**

**Z 994 948**

Accessory set spacer plates,  
thickness 0.5 mm,  
for correction of recess joint  
**Please order separately!**

**PU = 10 items**

**Z 994 918 02** silver painted

**Z 994 918 64** white coated

**Barrel hinge • Steel**

**Z 994 918 31**

**Barrel hinge • Stainless steel**

three-part,  
for doors opening out,  
Pivoting point = 12.5 mm  
complete, including accessory set  
**PU = 1 item**

**Z 994 919 02** silver painted

**Z 994 919 64** white coated

**Barrel hinge • Aluminium**

three-part,  
for doors opening out,  
Pivoting point = 12.5 mm  
complete, including accessory set  
**PU = 1 item**

**Z 994 928 66.0003**

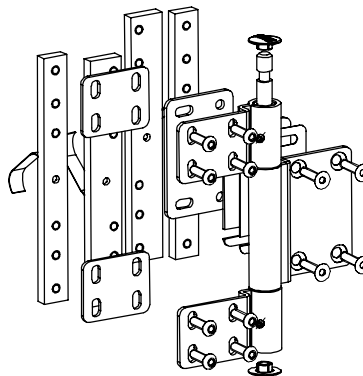
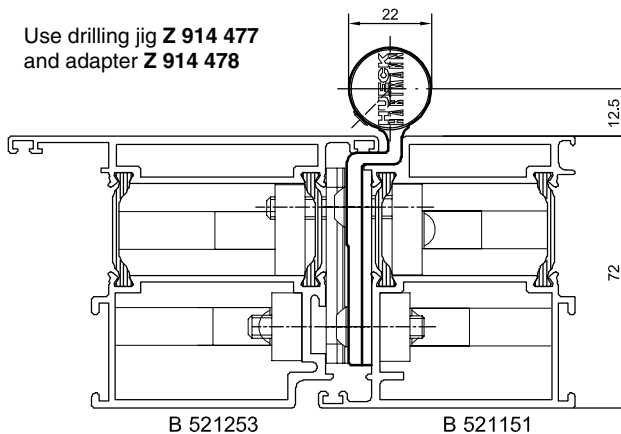
Accessory set height adjustment,  
for barrel hinges mentioned above,  
including: level adjustment trestle,  
threaded pin and spacer plates  
**PU = 1 item**

**Z 994 948**

Accessory set spacer plates,  
thickness 0.5 mm,  
for correction of recess joint  
**Please order separately!**

**PU = 10 items**

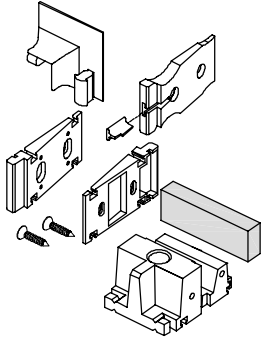
**PU = Packing unit**



Fittings and accessories for burglar-resistant single and double-sash doors  
in accordance with DIN V ENV 1627 with sash profile B 521252 / 253, opening in and out

Processing and assembling drawing: Register 700

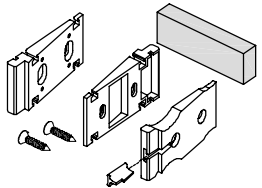
WK 2 / WK 3 Door accessories



**Z 994 036**  
**WK 2 / WK 3**  
Accessory set,  
plastic guide pieces  
and chamber gaskets,  
for single-sash door,  
1 required

**Z 994 037**  
**WK 2**  
Accessory set,  
plastic guide pieces  
and chamber gaskets,  
for double-sash door,  
1 required

**Z 994 353**  
**WK 3**  
Accessory set,  
plastic guide pieces  
and chamber gaskets,  
for double-sash door,  
1 required

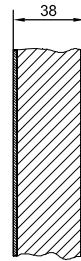


**Z 994 121**  
**WK 2 / WK 3**  
Accessory set,  
plastic guide pieces  
and chamber gaskets,  
for double-sash door,  
with circular sash made  
of profile B 521250 / 251 /  
B 521252 / 253  
1 required

Door-Series

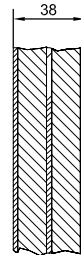
1.0	RSC without RS	A 72
•		
•		
•		
•		

WK 2 / WK 3 Door accessories  
Safety panels



**Z 912 622 02**  
**Z 912 622 64**  
**WK 2 Panel,**  
aluminium plate  
with safety filling  
Resistance class according  
to DIN EN 356 class P6B

**Delivery time upon  
enquiry!**

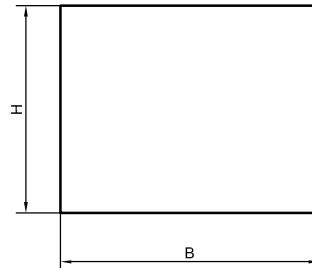


**Z 912 635 02**  
**Z 912 635 64**  
**WK 3 Panel,**  
as above, however with  
middle safety plate  
Resistance class according  
to DIN EN 356 class P7B

**Delivery time upon  
enquiry!**

**Optional surfaces upon enquiry!**

Information when ordering safety panel



Width x height required in mm  
Panel size max. 1100 x 2200 mm

Door-Series

1.0	RSC without RS	A 72
•		
•		

