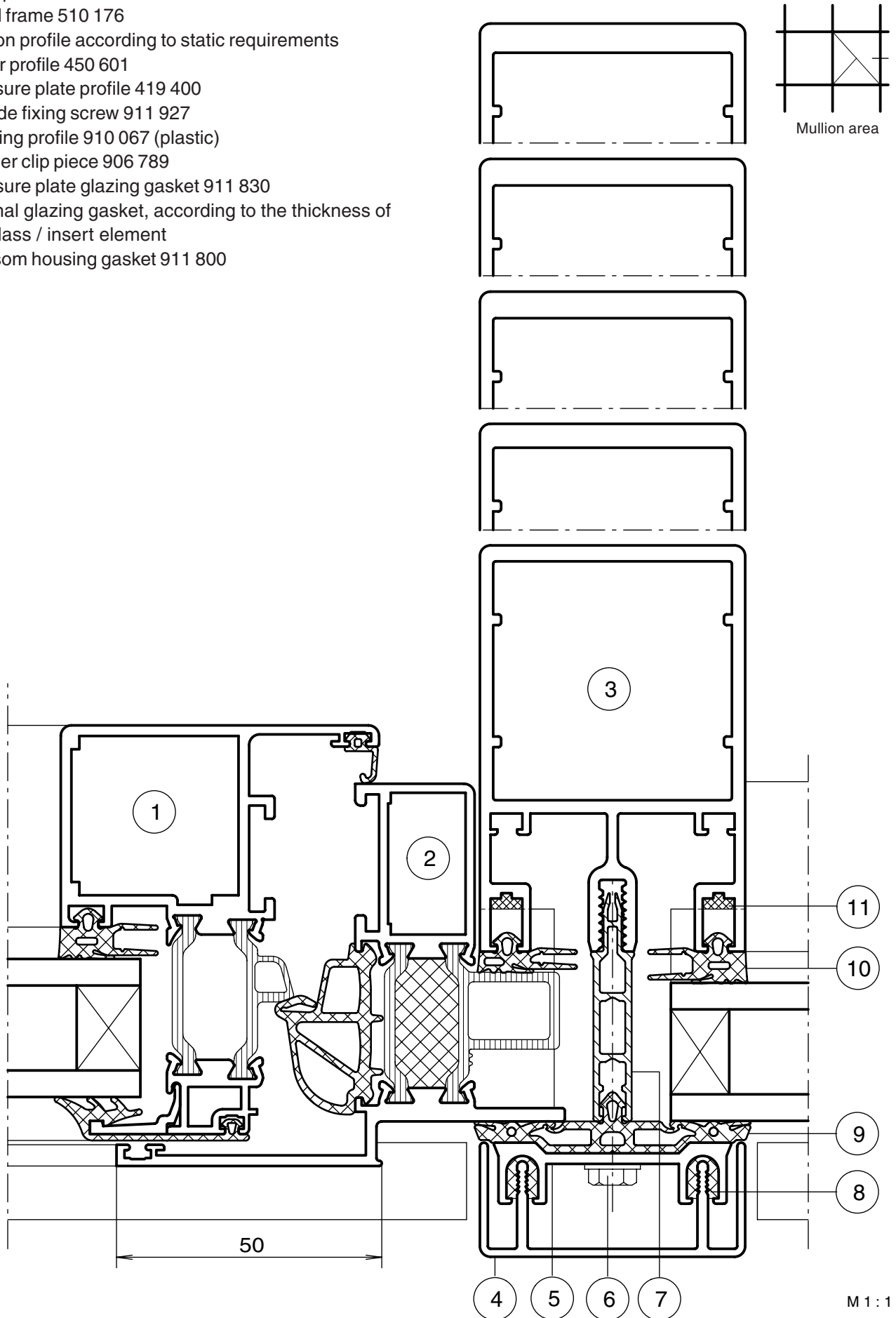
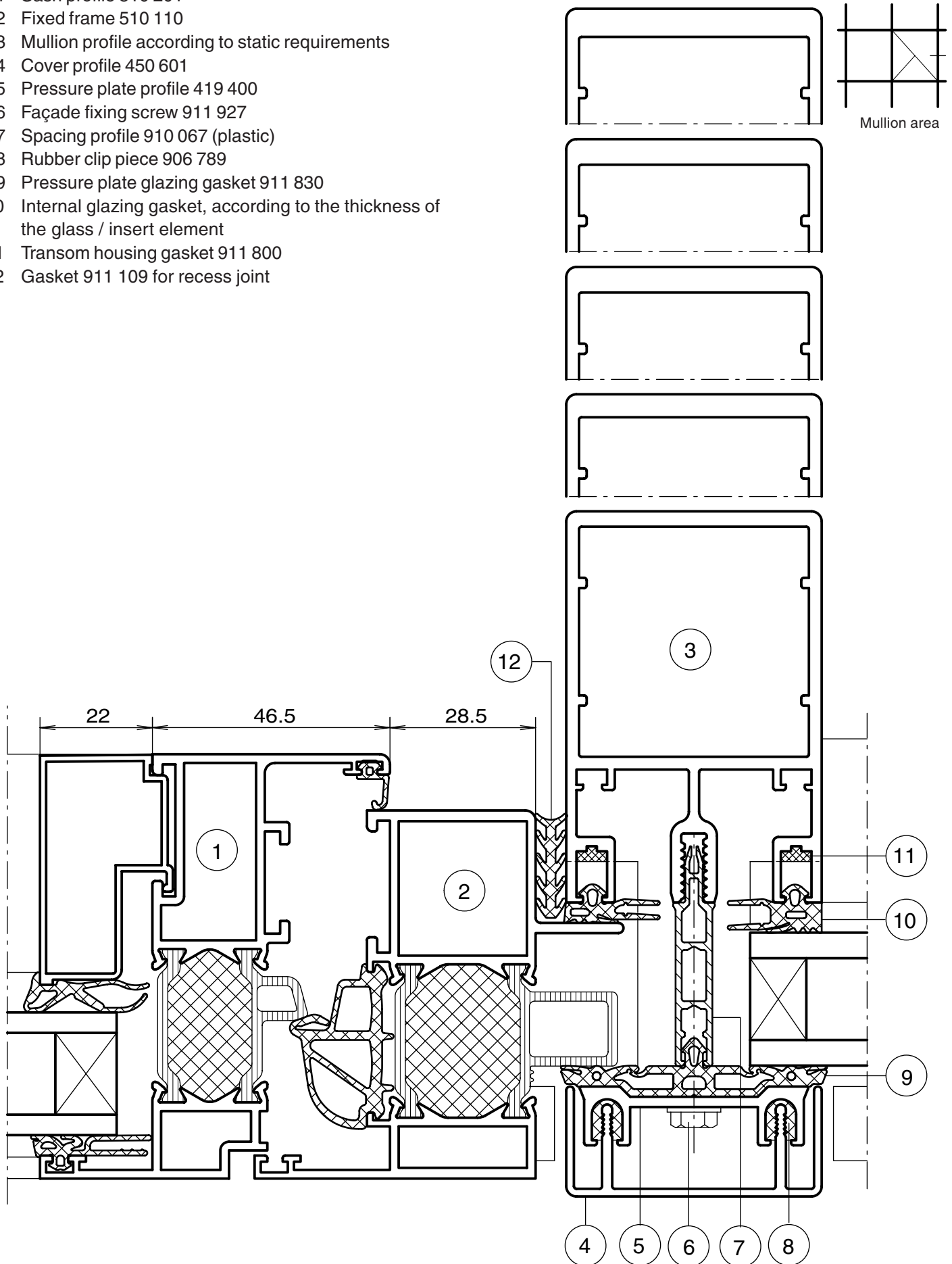


- 1 Sash profile 510 271
- 2 Fixed frame 510 176
- 3 Mullion profile according to static requirements
- 4 Cover profile 450 601
- 5 Pressure plate profile 419 400
- 6 Façade fixing screw 911 927
- 7 Spacing profile 910 067 (plastic)
- 8 Rubber clip piece 906 789
- 9 Pressure plate glazing gasket 911 830
- 10 Internal glazing gasket, according to the thickness of the glass / insert element
- 11 Transom housing gasket 911 800

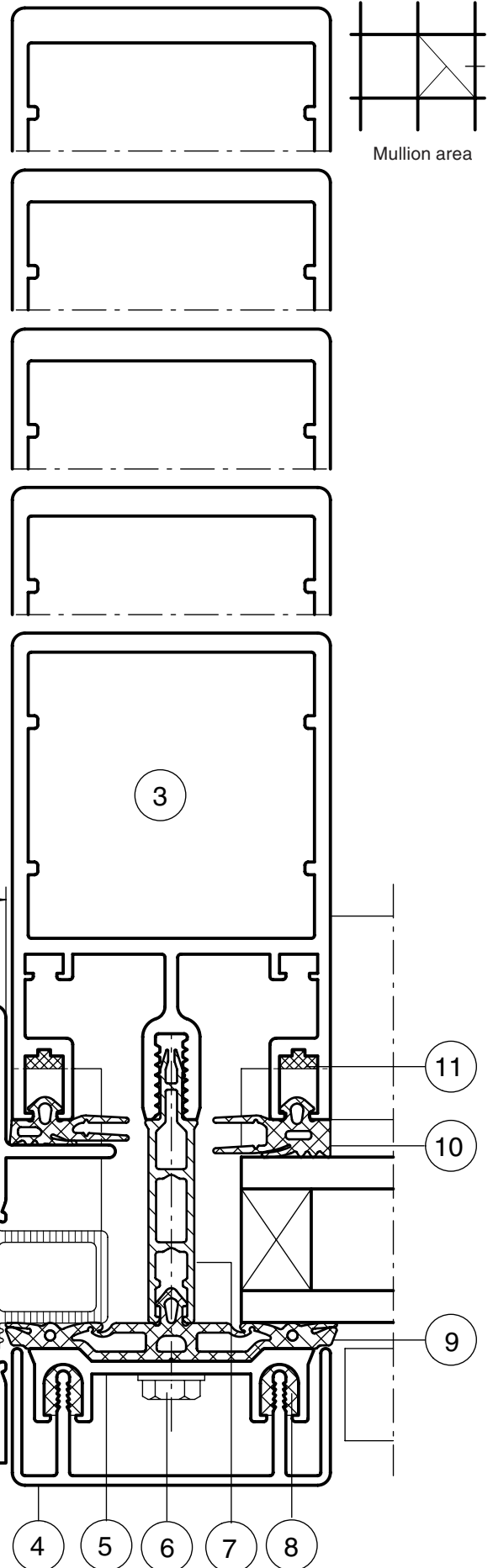


- 1 Sash profile 510 201
- 2 Fixed frame 510 110
- 3 Mullion profile according to static requirements
- 4 Cover profile 450 601
- 5 Pressure plate profile 419 400
- 6 Façade fixing screw 911 927
- 7 Spacing profile 910 067 (plastic)
- 8 Rubber clip piece 906 789
- 9 Pressure plate glazing gasket 911 830
- 10 Internal glazing gasket, according to the thickness of the glass / insert element
- 11 Transom housing gasket 911 800
- 12 Gasket 911 109 for recess joint



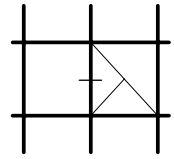
M 1 : 1

- 1 Sash profile 510 201
- 2 Fixed frame 510 110
- 3 Mullion profile according to static requirements
- 4 Cover profile 450 601
- 5 Pressure plate profile 419 400
- 6 Façade fixing screw 911 927
- 7 Spacing profile 910 067 (plastic)
- 8 Rubber clip piece 906 789
- 9 Pressure plate glazing gasket 911 830
- 10 Internal glazing gasket, according to the thickness of the glass / insert element
- 11 Transom housing gasket 911 800

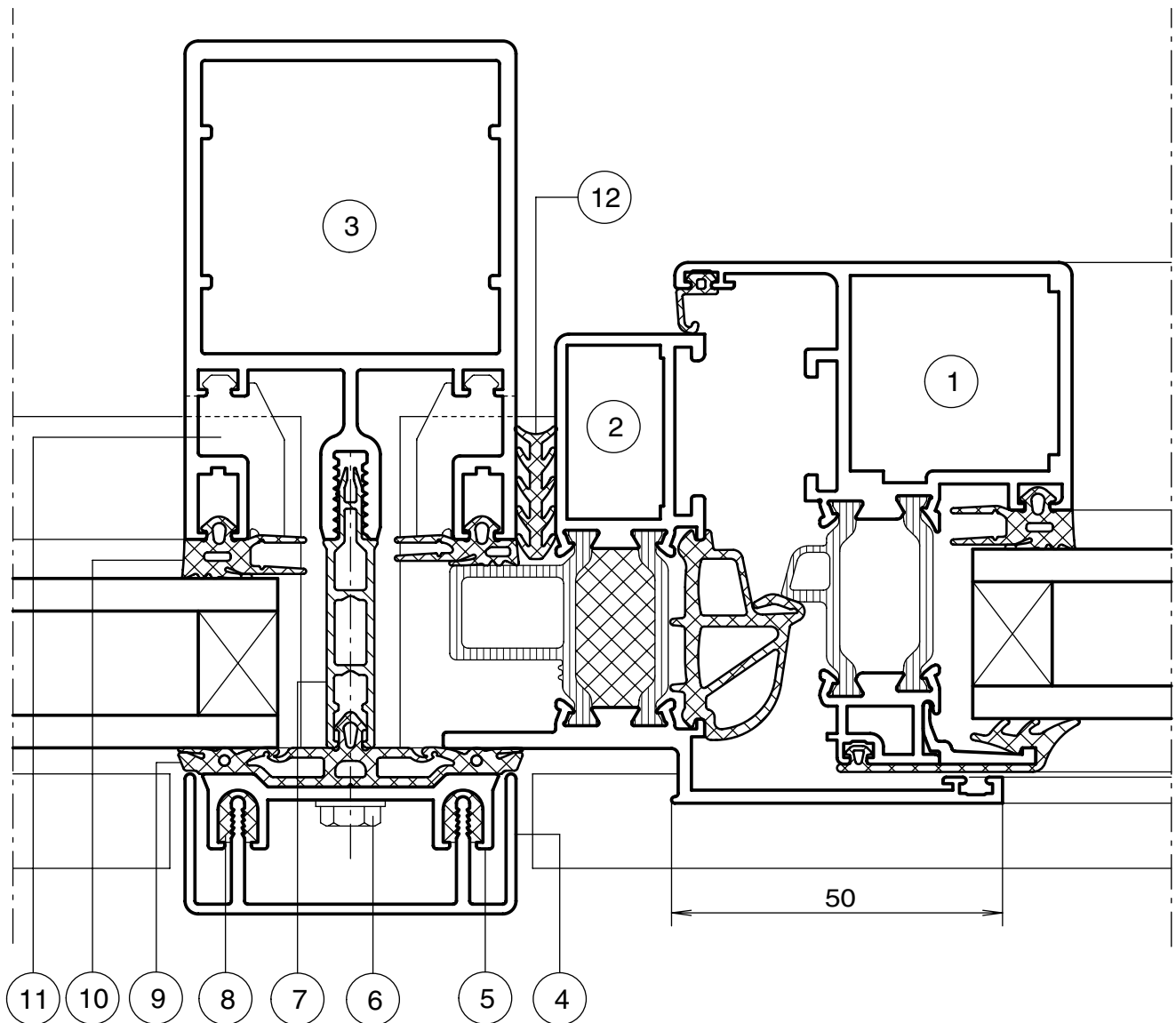


M 1 : 1

- 1 Sash profile 510 271
- 2 Fixed frame 510 176
- 3 Mullion profile according to static requirements
- 4 Cover profile 450 601
- 5 Pressure plate profile 419 400
- 6 Façade fixing screw 911 927
- 7 Spacing profile 910 067 (plastic)
- 8 Rubber clip piece 906 789
- 9 Pressure plate glazing gasket 911 830
- 10 Internal glazing gasket, according to the thickness of the glass / insert element
- 11 Transom housing gasket 911 801
- 12 Gasket for recess joint 911 109

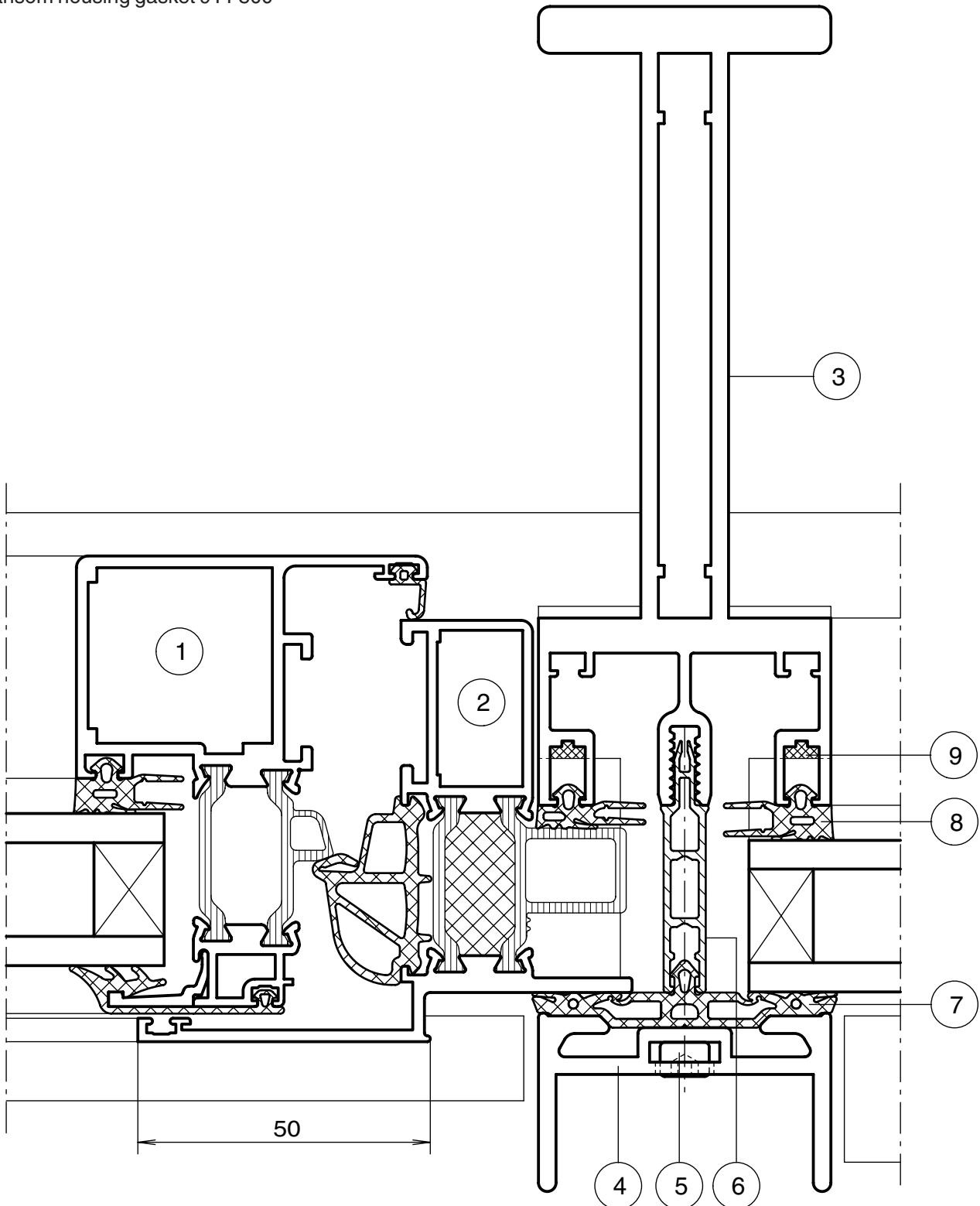
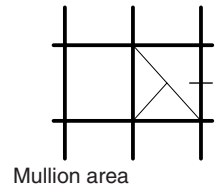


Mullion area



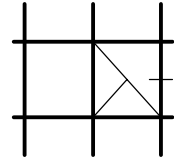
M 1 : 1

- 1 Sash profile 510 271
- 2 Fixed frame 510 176
- 3 Mullion profile 519 140
- 4 Pressure plate profile 519 421
- 5 Façade fixing screw 911 937
- 6 Spacing profile 910 067 (plastic)
- 7 Pressure plate glazing gasket 911 830
- 8 Internal glazing gasket, according to the thickness of the glass / insert element
- 9 Transom housing gasket 911 800

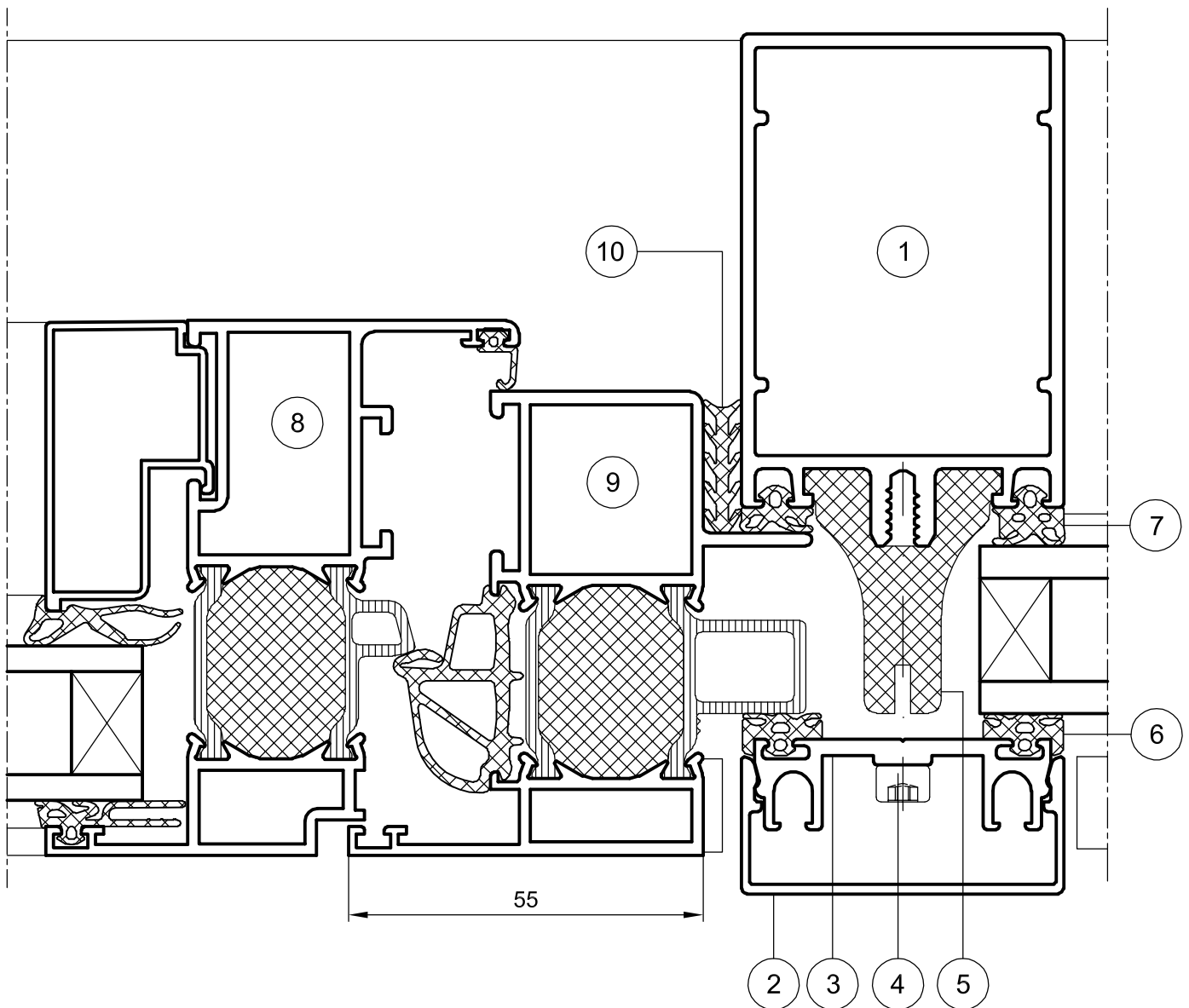


M 1 : 1

- 1 Mullion profile 519 351
- 2 Snap-in cover profile 419 606
- 3 Pressure plate profile 419 430
- 4 Façade fixing screw 911 936
- 5 Insulating profile 910 072
- 6 Pressure plate glazing gasket 912 616
- 7 Internal glazing gasket, according to the thickness of the glass / insert element, cf. glazing tables
- 8 Sash profile 510 201
- 9 Interlocking frame profile 510 110
- 10 Gasket for recess joint 911 109

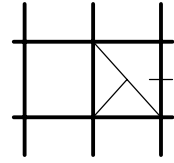


Transom - transom façade
Mullion area with
- insulating profile
- pressure plate profile with
individual pressure plate
glazing gaskets
- snap-in cover profile
Insert element
1.0 window

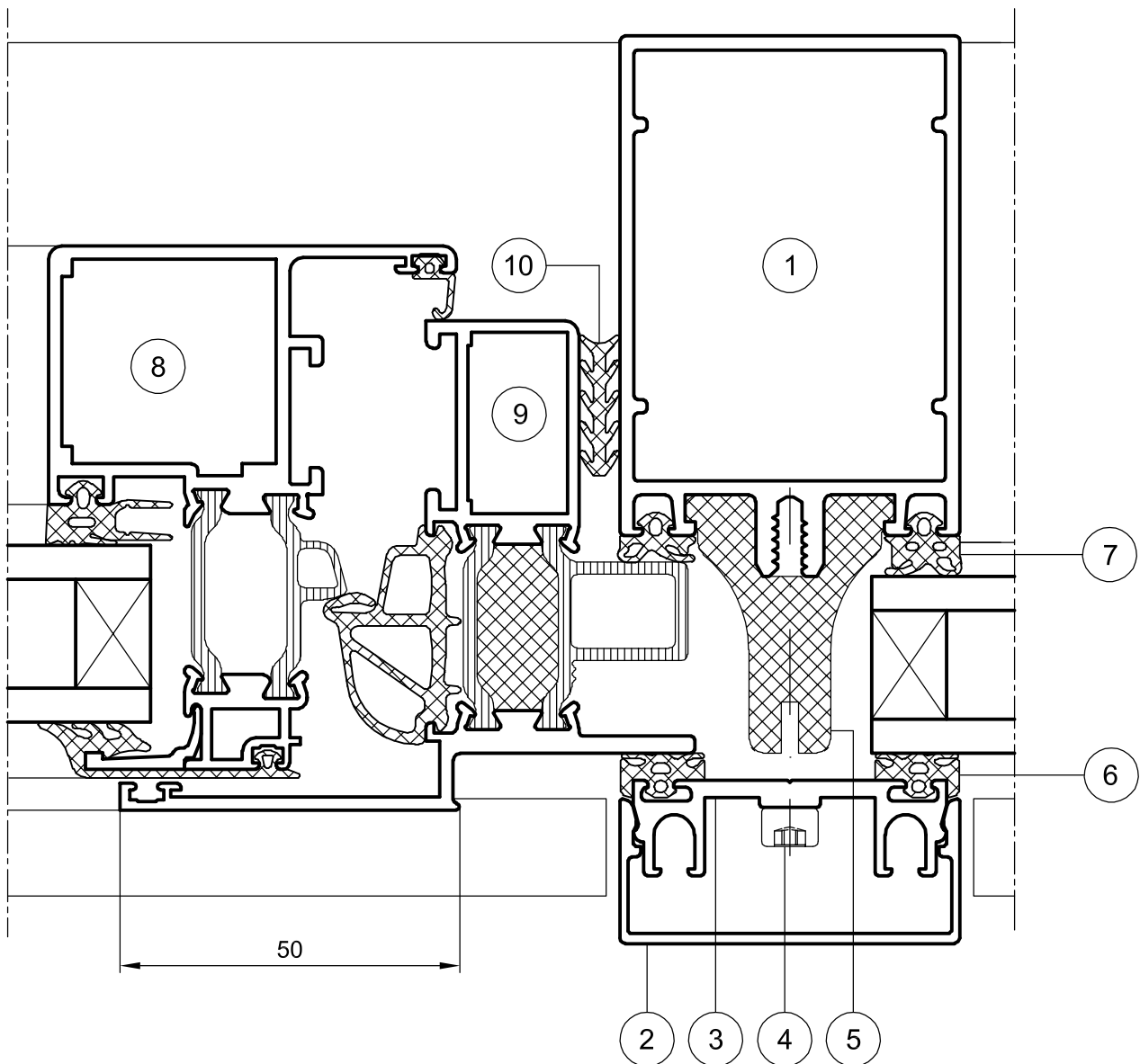


M1:1

- 1 Mullion profile 519 351
- 2 Snap-in cover profile 419 606
- 3 Pressure plate profile 419 430
- 4 Façade fixing screw 911 936
- 5 Insulating profile 910 072
- 6 Pressure plate glazing gasket 912 616
- 7 Internal glazing gasket, according to the thickness of the glass / insert element, cf. glazing tables
- 8 Sash profile 510 271
- 9 Interlocking frame profile 510 176
- 10 Gasket for recess joint 911 109

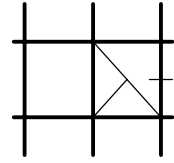


Transom - transom façade
 Mullion area with
 - insulating profile
 - pressure plate profile with individual pressure plate glazing gaskets
 - snap-in cover profile
 Insert element
 1.0 window
 - integrated

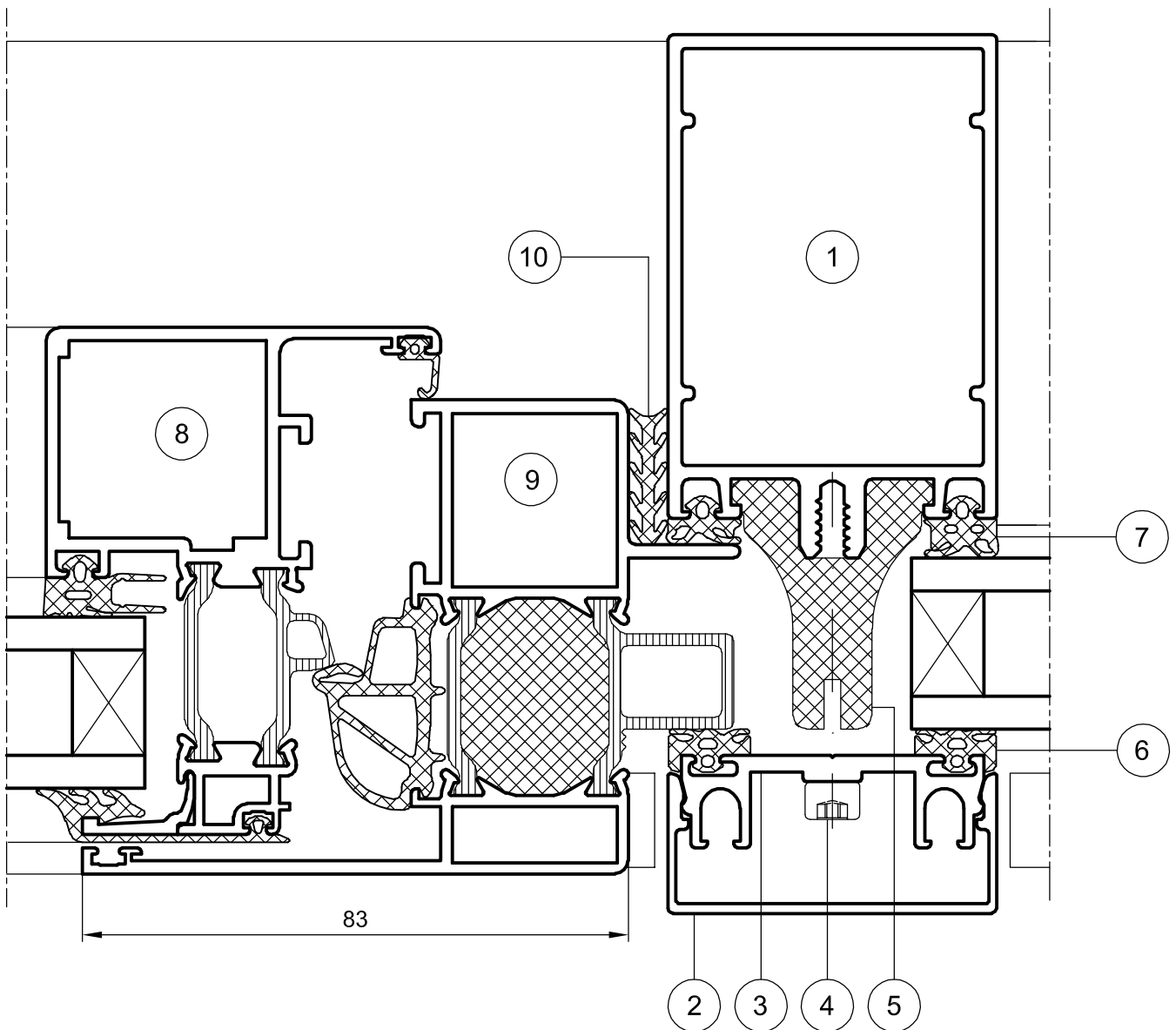


M1:1

- 1 Mullion profile 519 351
- 2 Snap-in cover profile 419 606
- 3 Pressure plate profile 419 430
- 4 Façade fixing screw 911 936
- 5 Insulating profile 910 072
- 6 Pressure plate glazing gasket 912 616
- 7 Internal glazing gasket, according to the thickness of the glass / insert element, cf. glazing tables
- 8 Sash profile 510 271
- 9 Interlocking frame profile 510 173
- 10 Gasket for recess joint 911 109

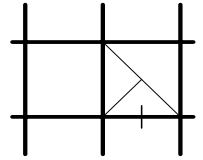


Transom - transom façade
Mullion area with
- insulating profile
- pressure plate profile with individual pressure plate glazing gaskets
- snap-in cover profile
Insert element
1.0 window
- integrated

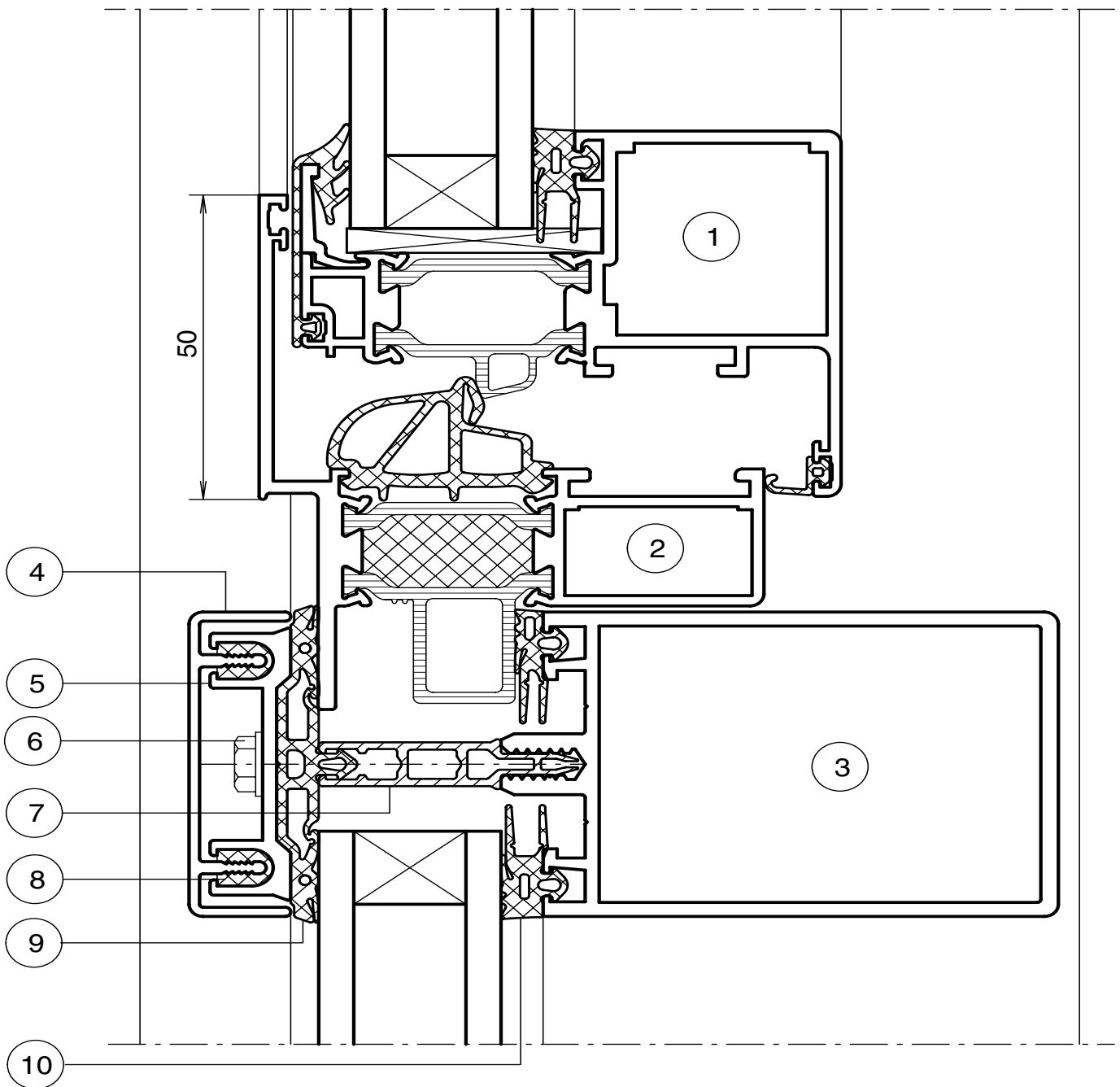


M1:1

- 1 Sash profile 510 271
- 2 Fixed frame 510 176
- 3 Transom profile 519 301
- 4 Cover profile 450 600
- 5 Pressure plate profile 419 400
- 6 Façade fixing screw 911 914
- 7 Spacing profile 910 066 (plastic)
- 8 Rubber clip piece 906 789
- 9 Pressure plate glazing gasket 911 830
- 10 Internal glazing gasket, according to the thickness of the glass / insert element

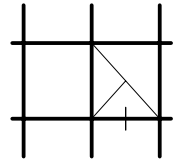


Transom area

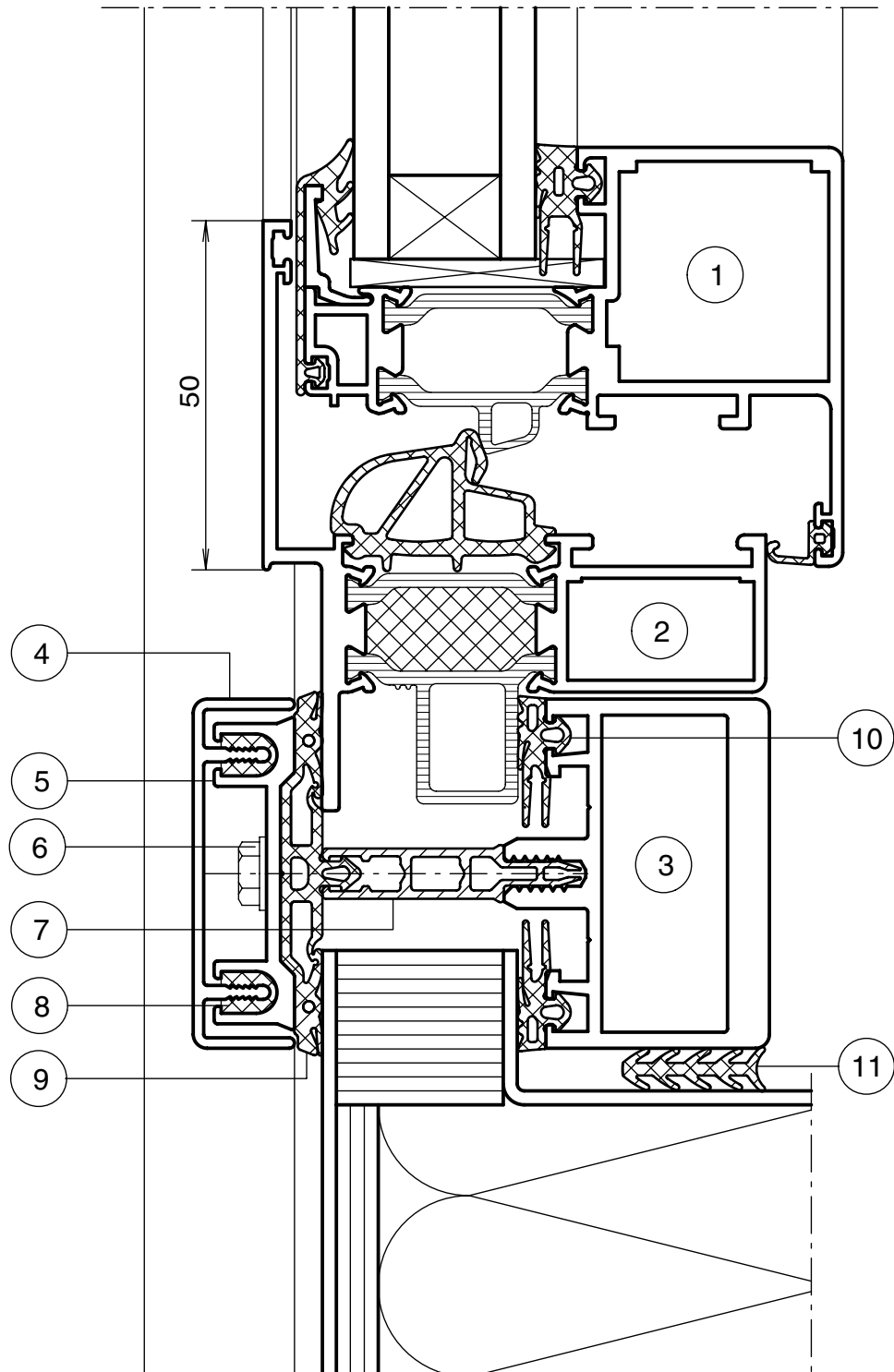


M1:1

- 1 Sash profile 510 271
- 2 Fixed frame 510 176
- 3 Transom profile 519 300
- 4 Cover profile 450 600
- 5 Pressure plate profile 419 400
- 6 Façade fixing screw 911 914
- 7 Spacing profile 910 066 (plastic)
- 8 Rubber clip piece 906 789
- 9 Pressure plate glazing gasket 911 830
- 10 Internal glazing gasket, according to the thickness of the glass / insert element
- 11 Gasket for recess joint 911 109

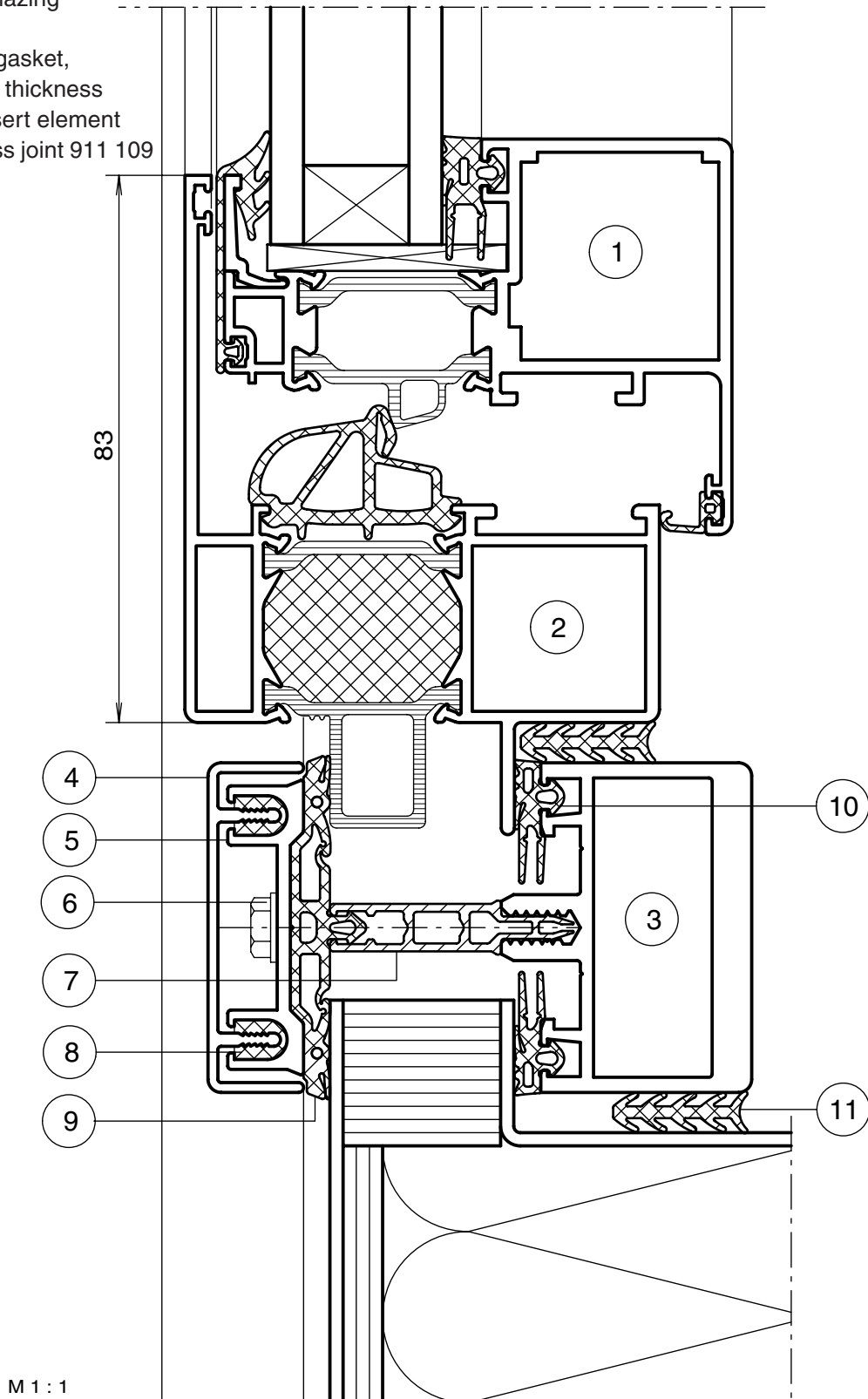
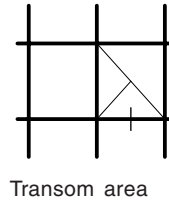


Transom area

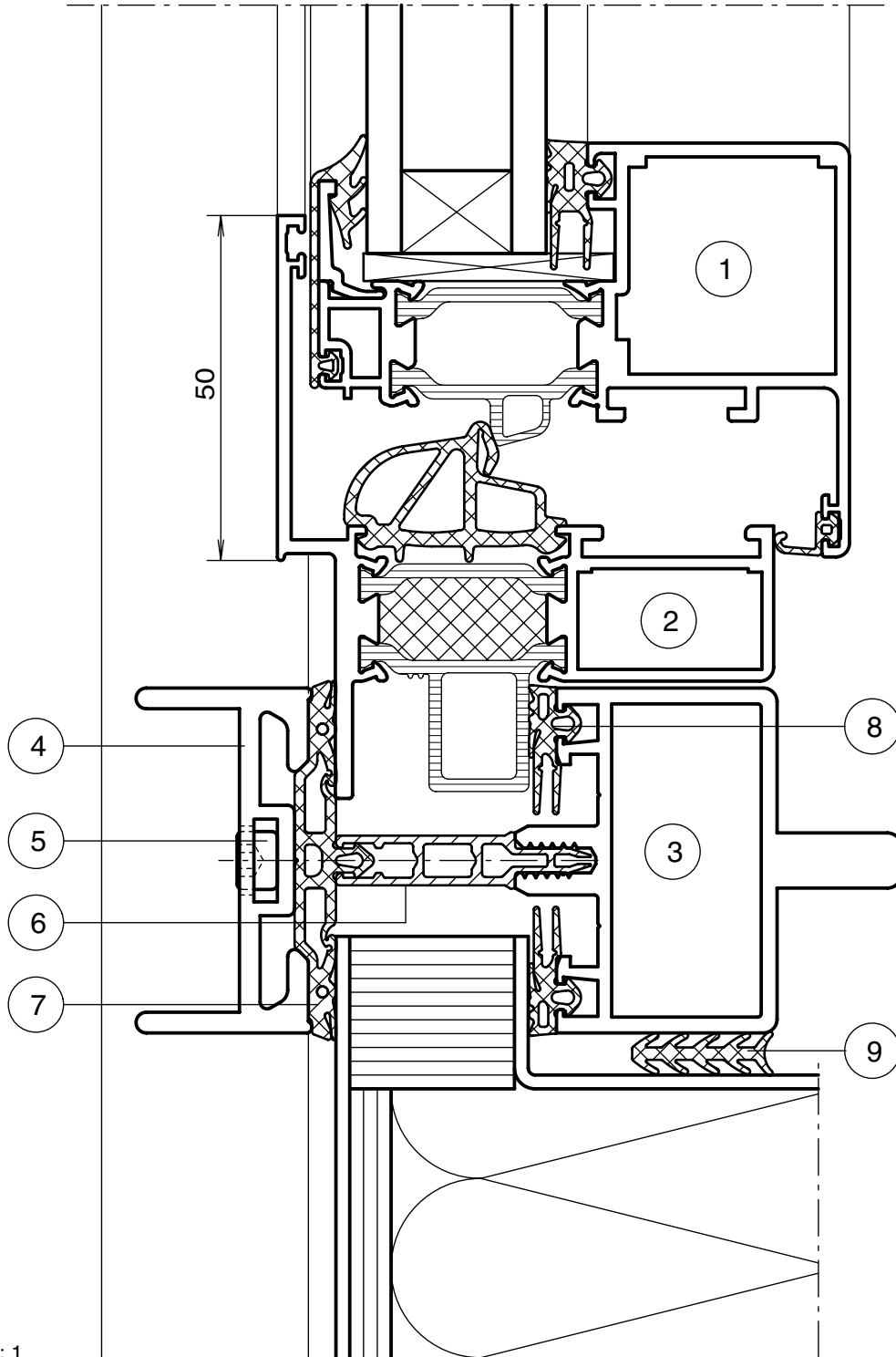
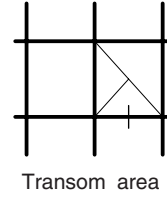


M 1 : 1

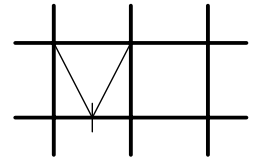
- 1 Sash profile 510 271
- 2 Fixed frame 510 173
- 3 Transom profile 519 300
- 4 Cover profile 450 600
- 5 Pressure plate profile 419 400
- 6 Façade fixing screw 911 914
- 7 Spacing profile 910 066 (plastic)
- 8 Rubber clip piece 906 789
- 9 Pressure plate glazing gasket 911 830
- 10 Internal glazing gasket, according to the thickness of the glass / insert element
- 11 Gasket for recess joint 911 109



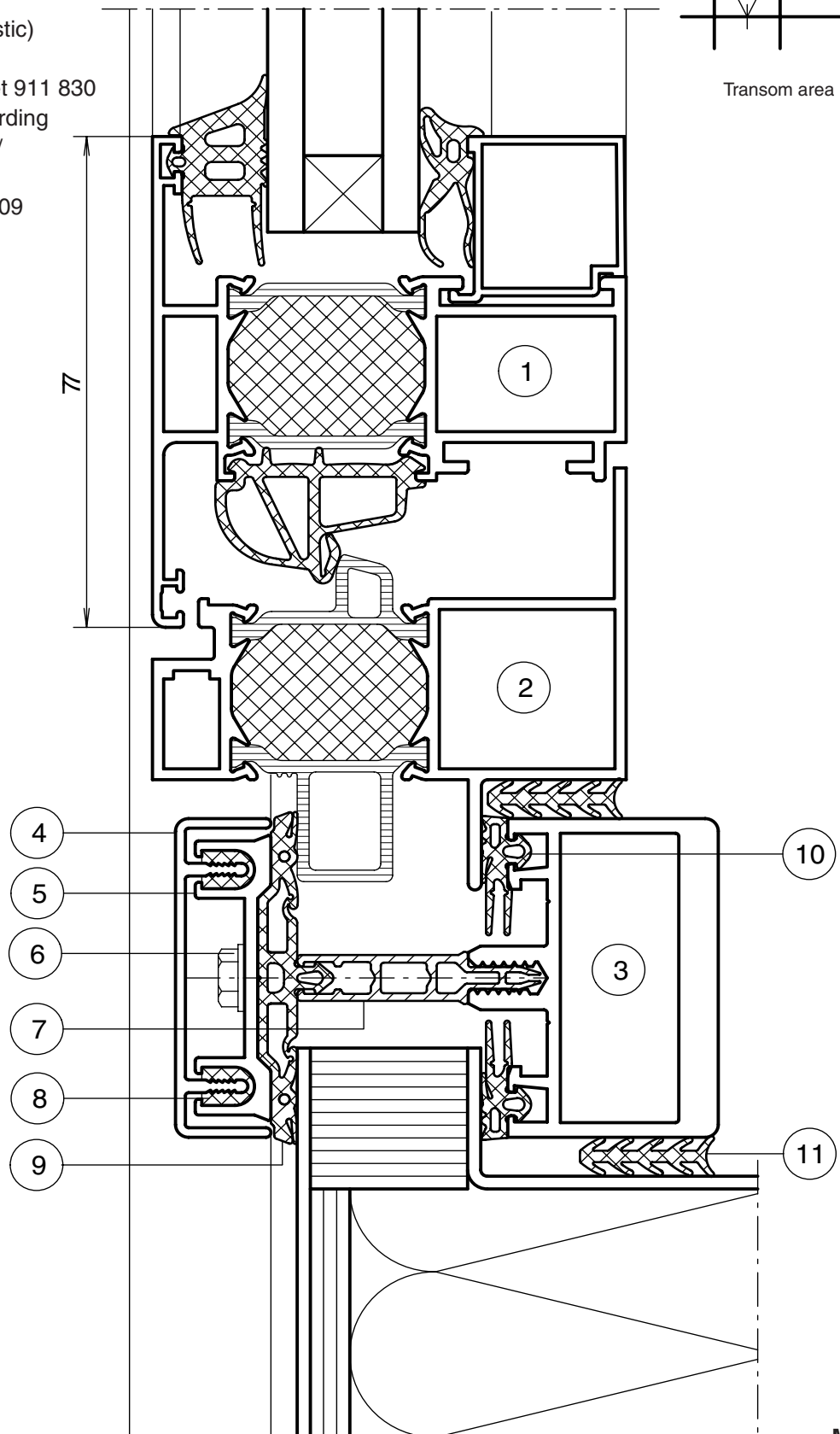
- 1 Sash profile 510 271
- 2 Fixed frame 510 176
- 3 Transom profile 519 340
- 4 Pressure plate profile 519 420
- 5 Façade fixing screw 911 936
- 6 Spacing profile 910 066 (plastic)
- 7 Pressure plate glazing gasket 911 830
- 8 Internal glazing gasket, according to the thickness of the glass / insert element
- 9 Gasket for recess joint 911 109



- 1 Sash profile 510 205
- 2 Fixed frame 510 114
- 3 Transom profile 519 300
- 4 Cover profile 450 600
- 5 Pressure plate profile 419 400
- 6 Façade fixing screw 911 914
- 7 Spacing profile 910 066 (plastic)
- 8 Rubber clip piece 906 789
- 9 Pressure plate glazing gasket 911 830
- 10 Internal glazing gasket, according to the thickness of the glass / insert element
- 11 Gasket for recess joint 911 109

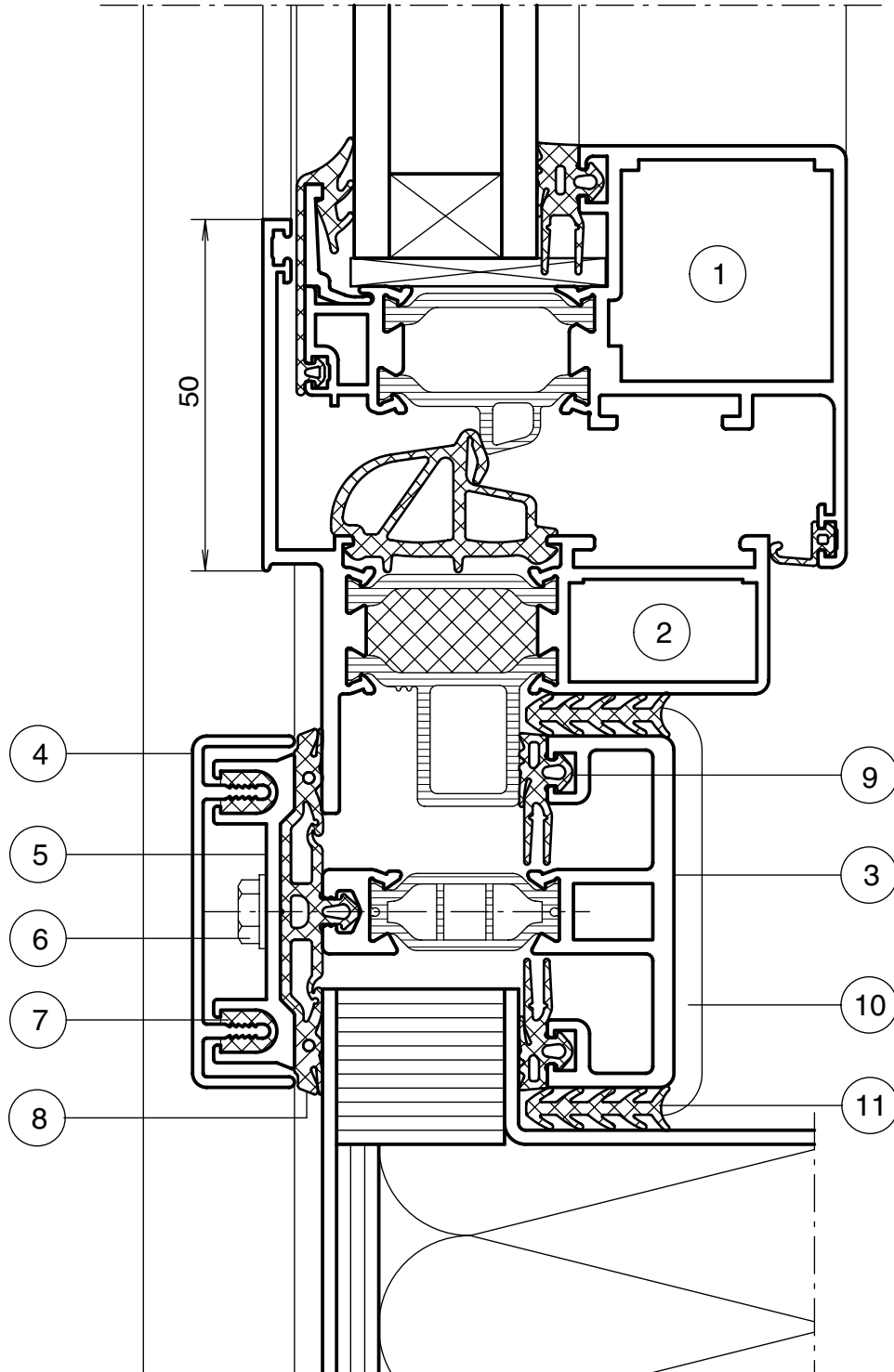
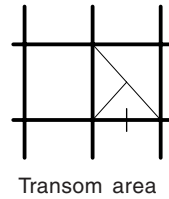


Transom area



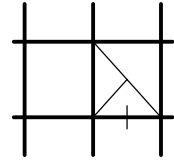
M1:1

- 1 Sash profile 510 271
- 2 Fixed frame 510 176
- 3 Transom profile 519 310
- 4 Cover profile 450 600
- 5 Pressure plate profile 419 400
- 6 Façade fixing screw 911 932
- 7 Rubber clip piece 906 789
- 8 Pressure plate glazing gasket 911 830
- 9 Internal glazing gasket, according to the thickness of the glass / insert element
- 10 Transom housing gasket 911 801
- 11 Gasket for recess joint 911 109

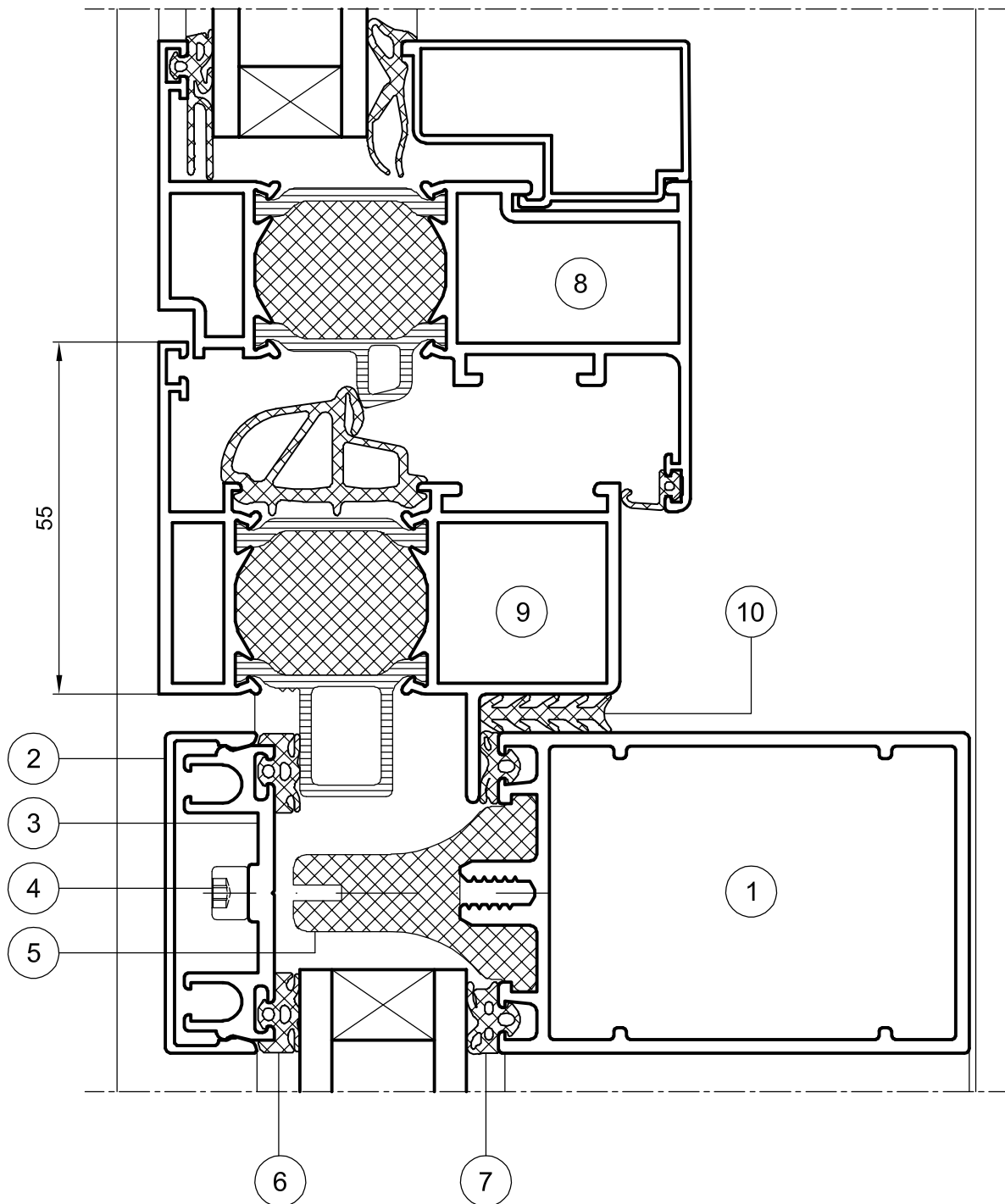


M1:1

- 1 Transom profile 519 351
- 2 Snap-in cover profile 419 605
- 3 Pressure plate profile 419 430
- 4 Façade fixing screw 911 936
- 5 Insulating profile 910 072
- 6 Pressure plate glazing gasket 912 616
- 7 Internal glazing gasket, according to the thickness of the glass / insert element, cf. glazing tables
- 8 Sash profile 510 201
- 9 Interlocking frame profile 510 110
- 10 Gasket for recess joint 911 109

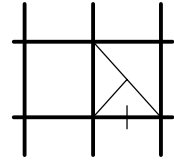


Transom - transom façade
 Transom area with
 - insulating profile
 - pressure plate profile with
 individual pressure plate
 glazing gaskets
 - snap-in cover profile
 Insert element
 1.0 window

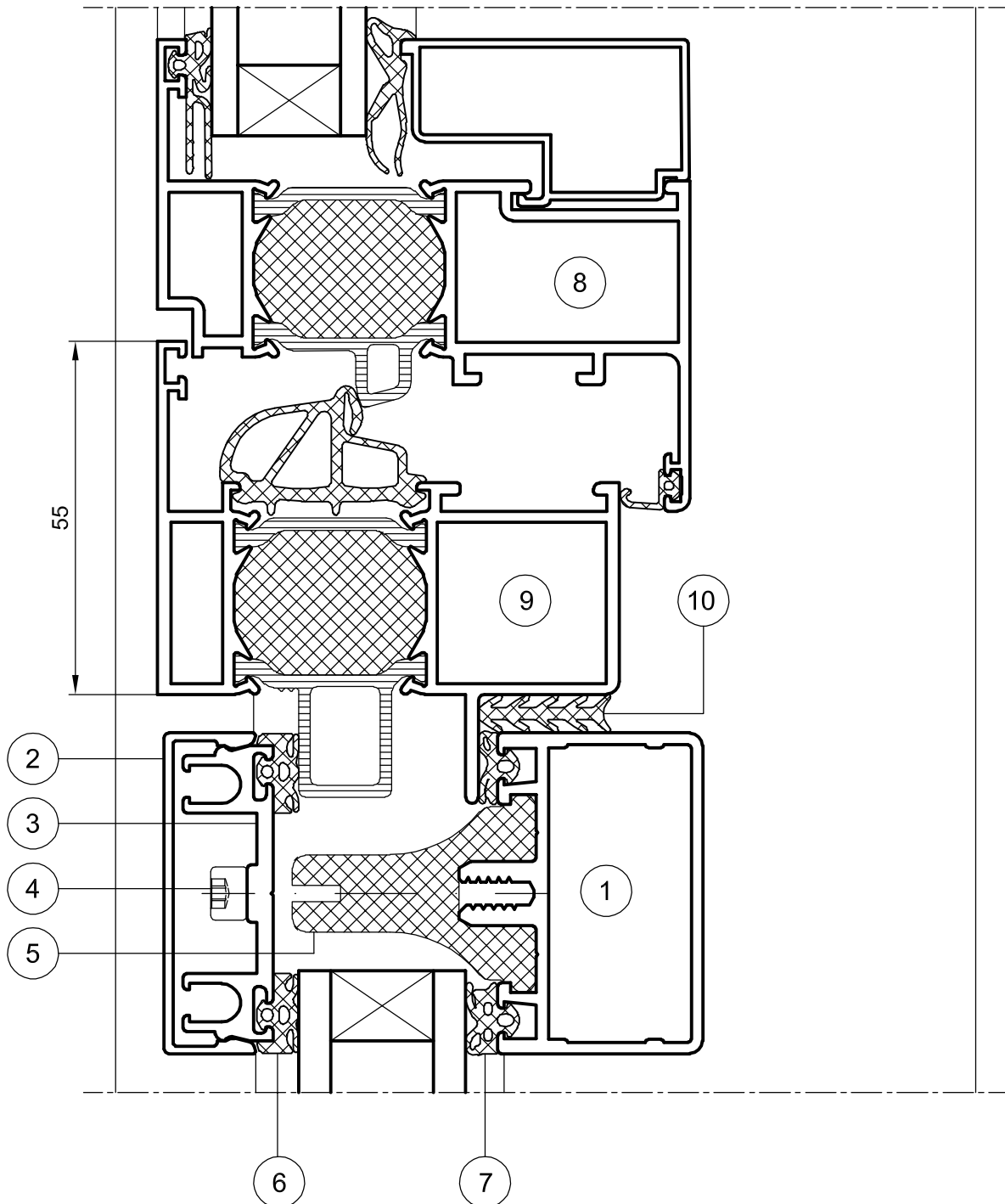


M1:1

- 1 Transom profile 519 330
- 2 Snap-in cover profile 419 605
- 3 Pressure plate profile 419 430
- 4 Façade fixing screw 911 936
- 5 Insulating profile 910 072
- 6 Pressure plate glazing gasket 912 616
- 7 Internal glazing gasket, according to the thickness of the glass / insert element, cf. glazing tables
- 8 Sash profile 510 201
- 9 Interlocking frame profile 510 110
- 10 Gasket for recess joint 911 109



Transom - transom façade
 Transom area with
 - insulating profile
 - pressure plate profile with
 individual pressure plate
 glazing gaskets
 - snap-in cover profile
 Insert element
 1.0 window



M1:1