

11 Installation of fixed frame series 1.0 and series 1.0 IF

11.1 Inlet transom

11.1.1 Fixed frame 510 110 with supplementary door profiles for door elements

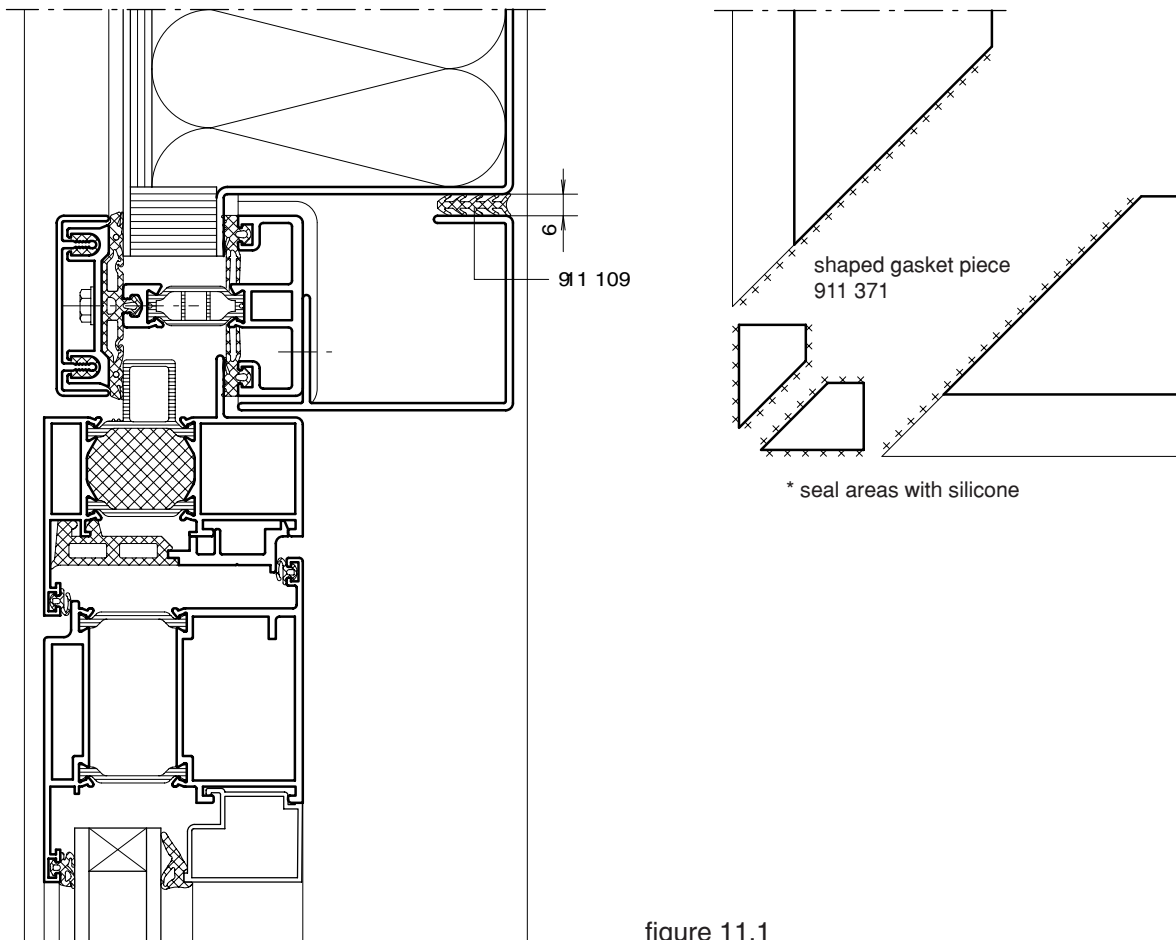
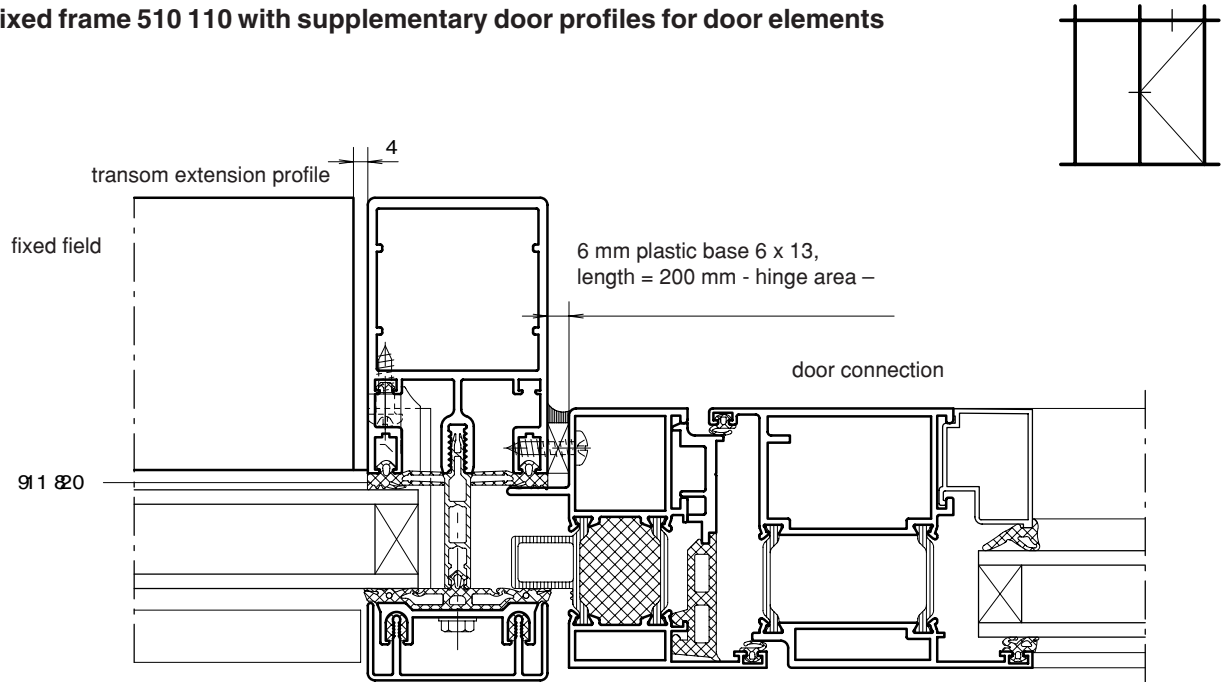


figure 11.1

11.1.2 Fixed frame of series 1.0 IF

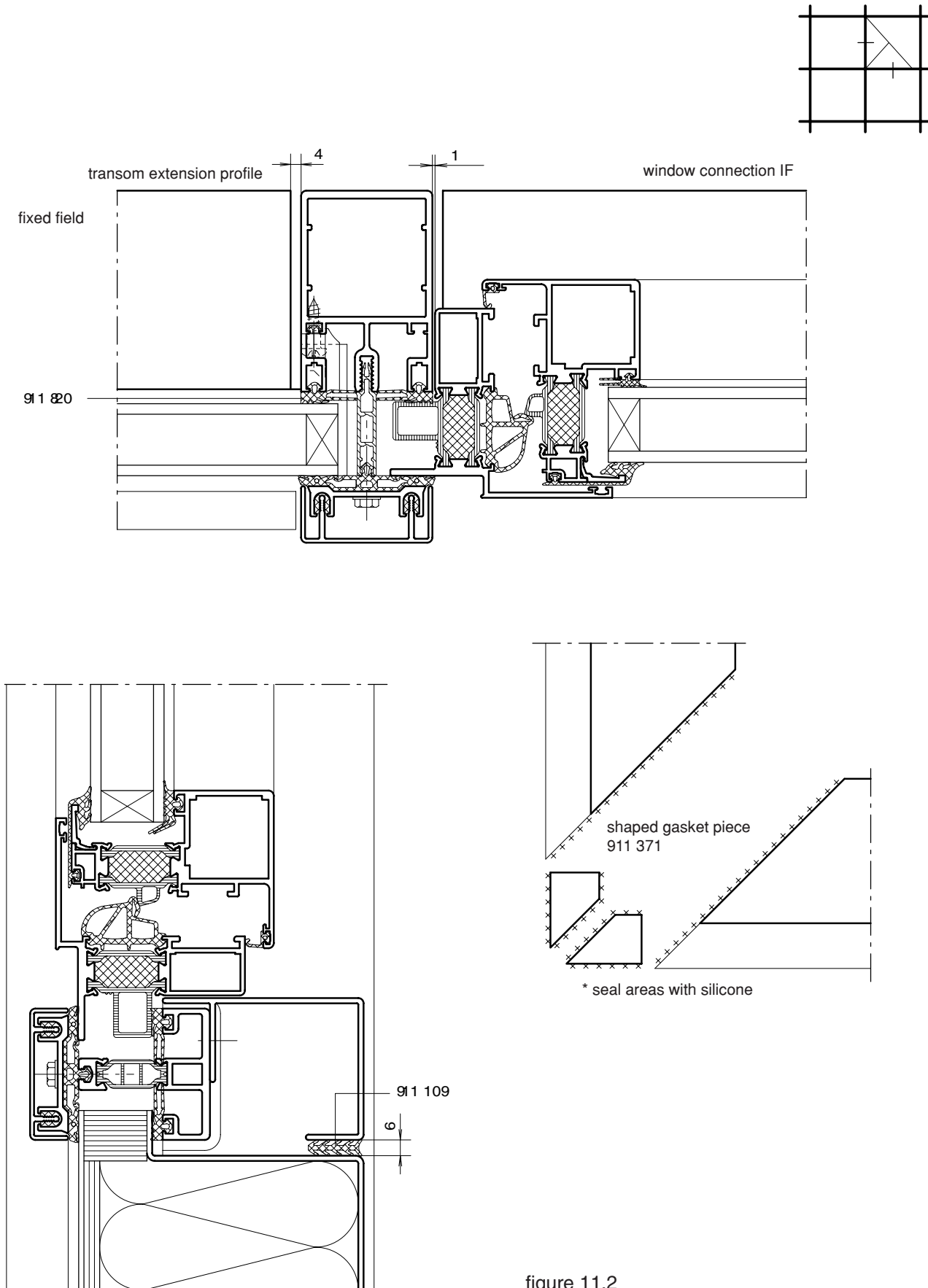


figure 11.2

11.1.3 Fixed frame (series 1.0), 510 110 for window elements

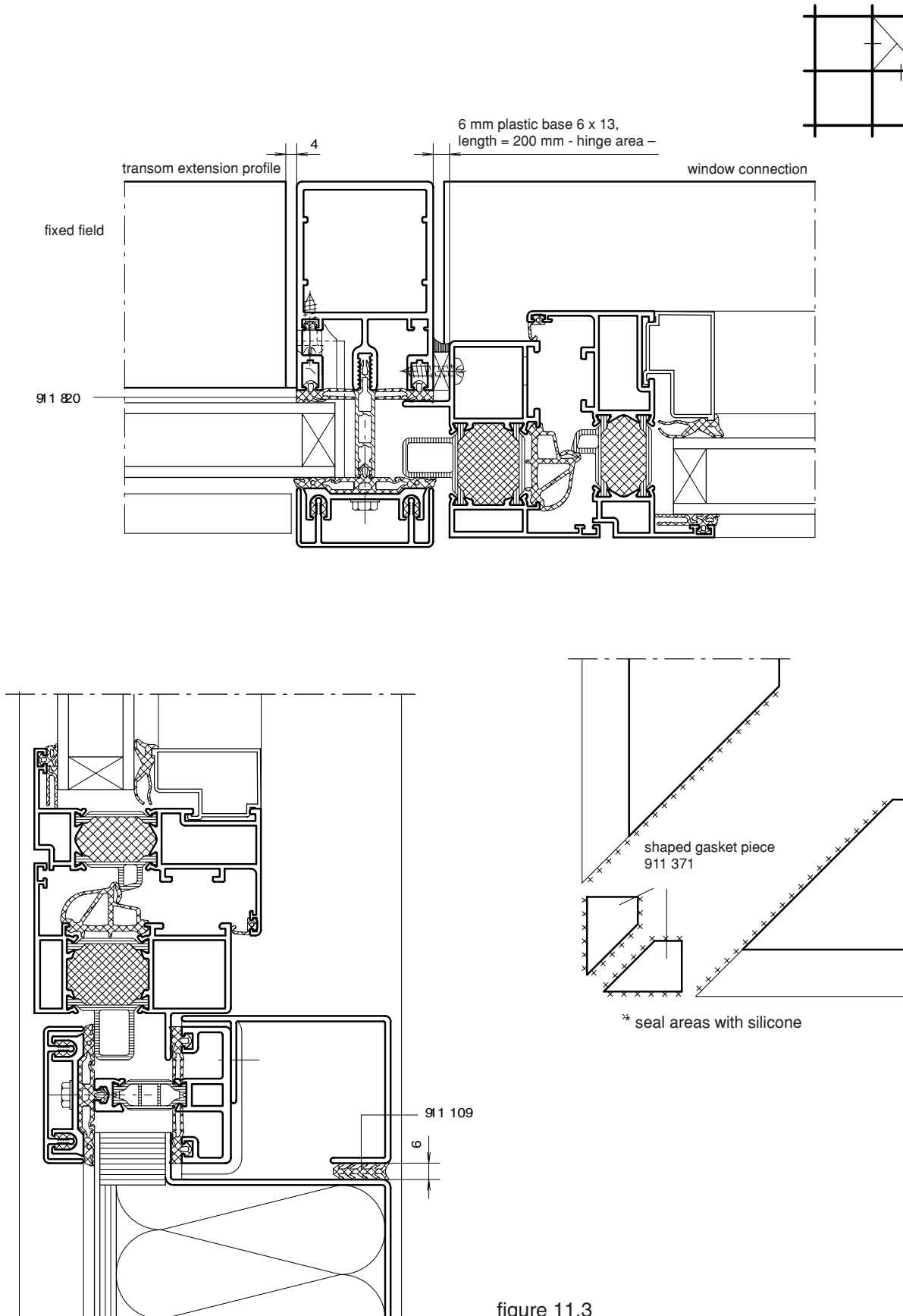


figure 11.3

11.2 Deepened transom

11.2.1 Fixed frame 510 110 with supplementary door profiles for door elements

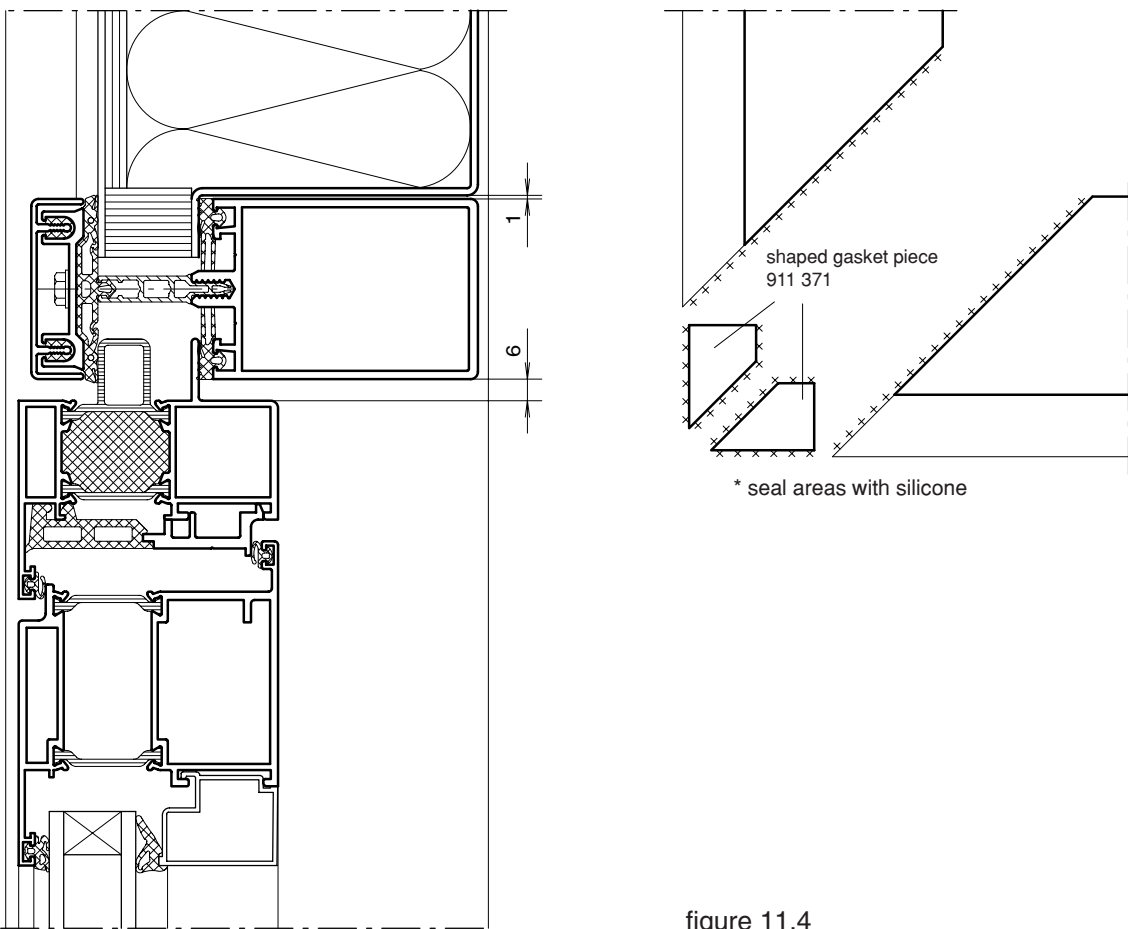
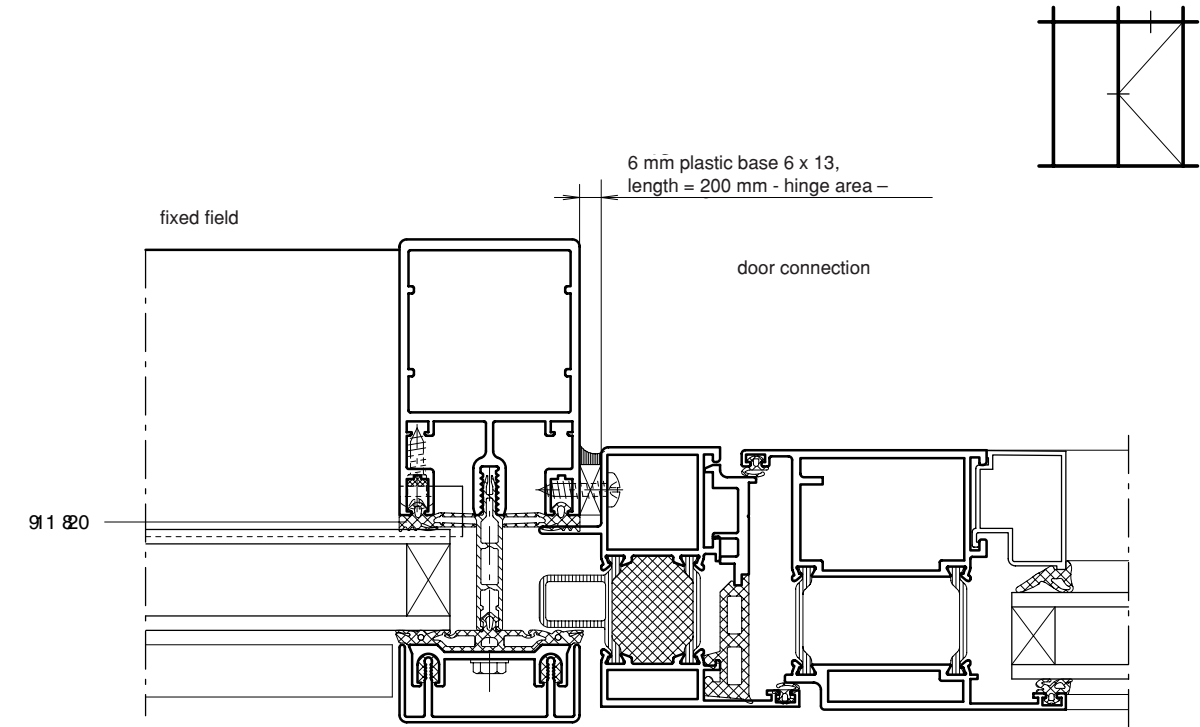


figure 11.4

11.2.2 Fixed frame (series 1.0 IF for window elements)

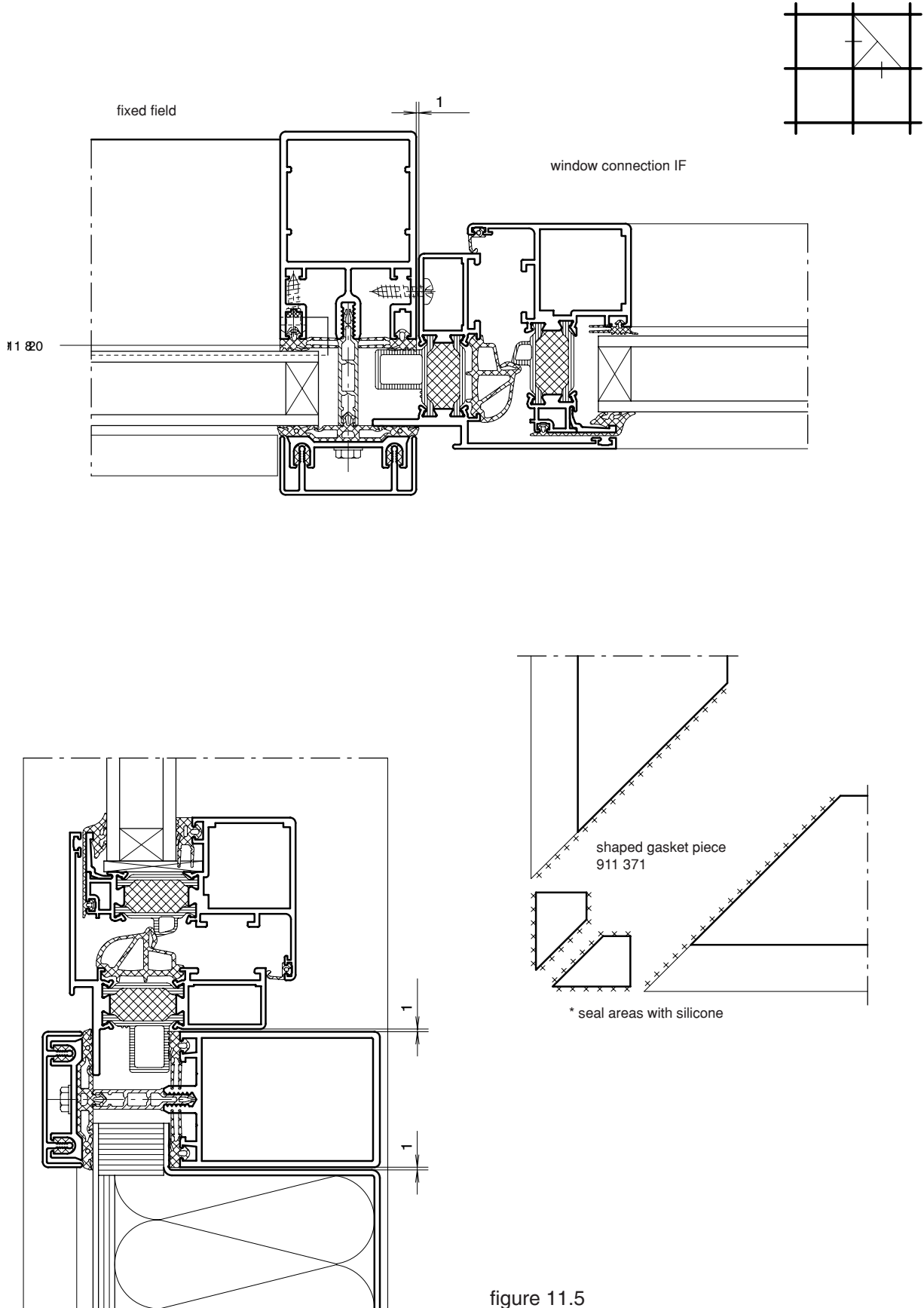


figure 11.5

11.2.3 Interlocking frame (series 1.0), 510 110 for window elements

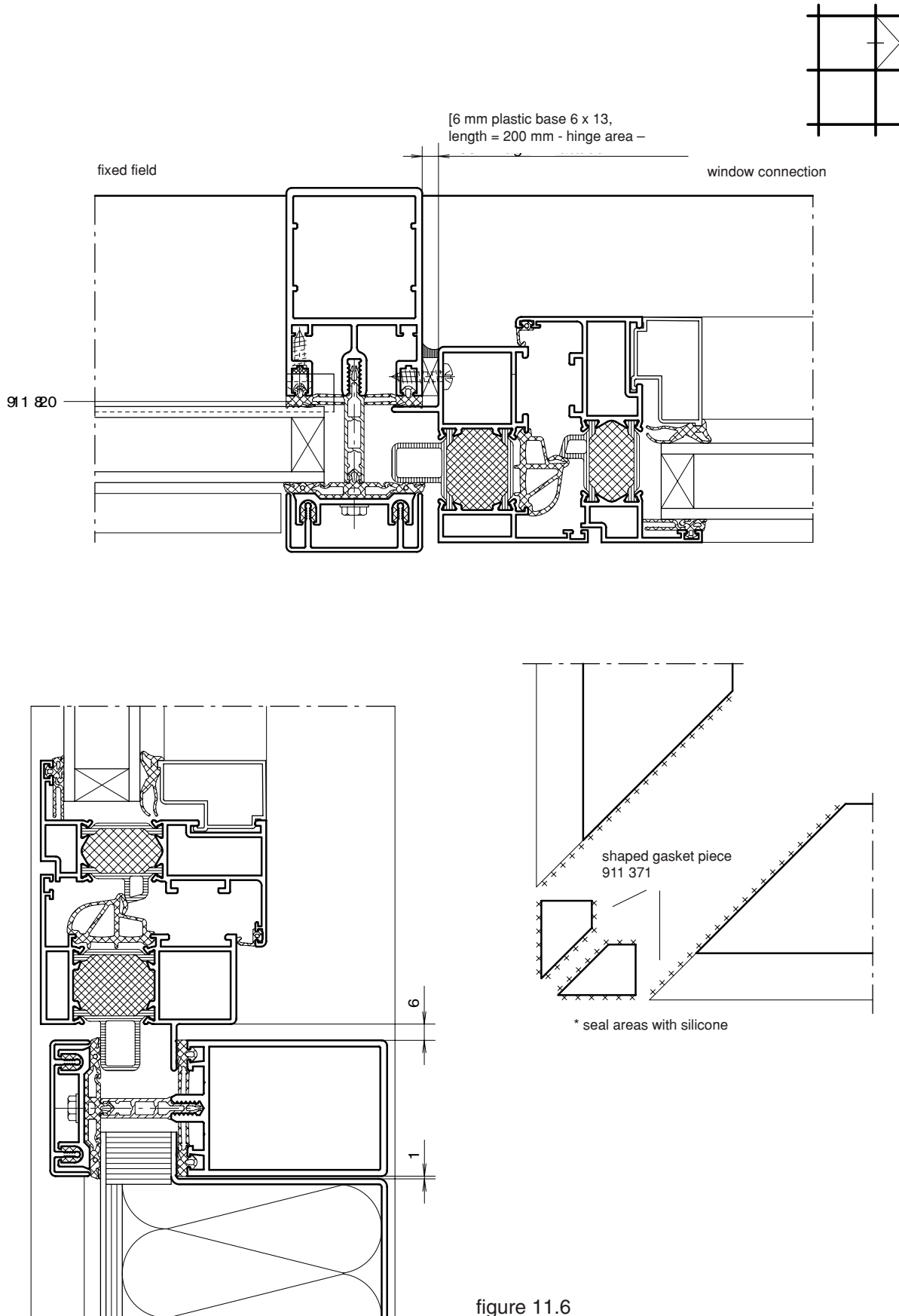


figure 11.6