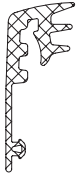
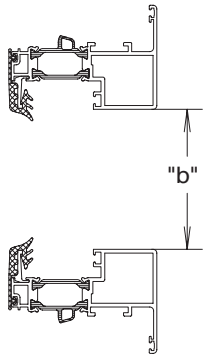
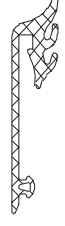
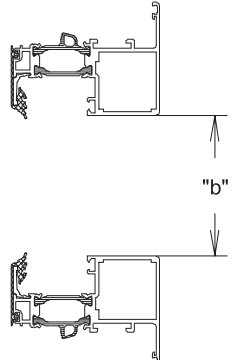

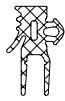
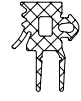
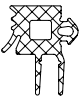
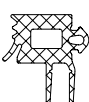


External glazing gaskets for the integrated window profiles 510 271 / 410 672

 <p>911 069 Surcharge for vulcanizing a frame made of profile 911 055</p> <p>911 055 External EPDM glazing gasket, black, suitable for the integrated window profile 510 270 in connection with the glazing bead 410 670, available as a vulcanized frame only.</p> <p>(Please observe delivery time!)</p>	 <p>Please indicate the frame dimension "b" when placing your order!</p>	 <p>911 838 Surcharge for vulcanizing a frame made of profile 911 839</p> <p>911 839 External EPDM glazing gasket, black, suitable for the integrated window profile 510 271 in connection with the glazing bead 410 672, available as a vulcanized frame only.</p> <p>(Please observe delivery time!)</p>	 <p>Please indicate the frame dimension "b" when placing your order!</p>
--	---	---	---

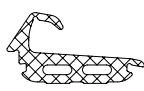
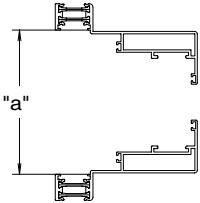

Internal glazing gaskets for the profiles 510 271 and top-hung projecting out profile 519 200.

 <p>911 820 Internal EPDM glazing gasket, black, suitable for the integrated window profile 510 271, centre dimension = 4 mm, applicable according to the glazing table</p>	 <p>911 821 Internal glazing gasket, as 911 820 but with 6 mm centre dimension, applicable according to the glazing table</p>	 <p>911 822 Internal glazing gasket, as 911 820 but with 8 mm centre dimension, applicable according to the glazing table</p>
 <p>911 823 Internal glazing gasket, as 911 820 but with 10 mm centre dimension, applicable according to the glazing table</p>	 <p>911 824 Internal glazing gasket, as 911 820 but with 12 mm centre dimension, applicable according to the glazing table</p>	

Auxiliary tools

 <p>908 439 Gasket cutting shears with knives for the internal glazing gaskets 911 820/821/822/823/824</p>		
---	--	--

Centre seal gasket and rebate gasket for top-hung projecting out windows of series 1.0 VF 50 / 1.0 VF 60

 <p>912 126 EPDM centre seal gasket, black, suitable for the profile 519 500, to be used as a vulcanised frame only</p>	 <p>912 140 Surcharge for vulcanizing a frame made of profile 912 126 21. Please observe delivery time! Please indicate frame dimension "a" when placing your order!</p>	 <p>911 025 EPDM rebate gasket, black, suitable for profile 519 500</p>
---	--	---

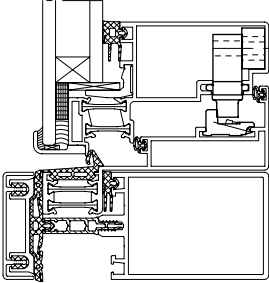
Glass support

 <p>911 909 Glass support, suitable for profile 519 200</p>		
---	--	--

For gaskets see catalogue Windows/Doors, Series 1.0, 1.0 IF, 1.0 door

**Fittings for top-hung projecting out sash,
suitable for the profiles 519 200 / 519 500,
Series 1.0 VF 50 / VF 60
max. sash weight 60 / 120 kg
Complete excluding operating rod 496 099**

**locking set, complete, excluding handle
995 642**



**additional vertical lock
994 233**

**additional horizontal lock
994 234**

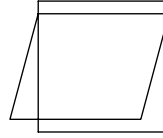
**window handle, suitable for locking set
995 642
912 139 64**

**drilling jig, required for locking set
995 642
912 173**

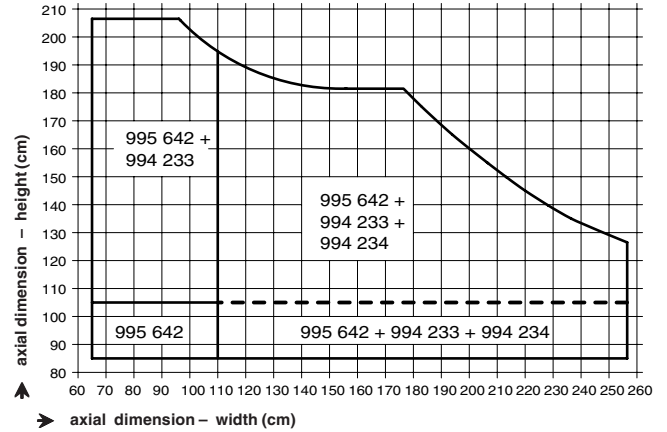
**stay-arm set for top-hung projecting out window,
suitable for the profiles 519 200 / 519 500, max. sash
weight 60 kg, for axial dimensions with a height
of 600 – 1,265 mm
994 230**

**stay-arm set for top-hung projecting out window,
suitable for the profiles 519 200 / 519 500, max. sash
weight 120 kg, for axial dimensions with a height
of 850 – 2,065 mm
994 229**

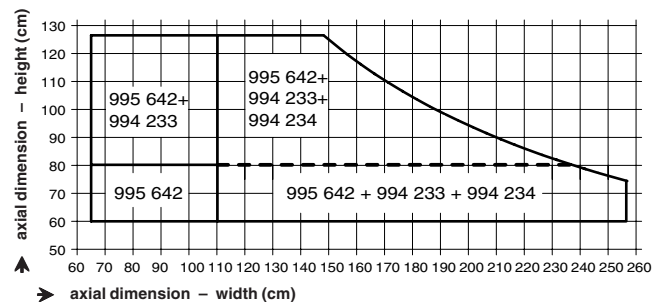
**set of drilling jigs, suitable for the stay-arm sets
for top-hung projecting out window,
994 229 / 230
994 241**



**Sash size diagrams,
suitable for the profiles 519 200 / 500**



994 229 stay-arm set for top-hung projecting out window
- maximum window sash weight: 120 kg
- height of axial dimension between 850 and 2,065 mm



994 230 stay-arm set for top-hung projecting out window
- maximum window sash weight: 60 kg
- height of axial dimension between 600 and 1,265 mm