

## **Fittings and sash sizes SYSTEM N 14.1**

---

### **Catalogue windows / doors**



**Register 72 E**

**pages 459 - 462**

---



**Register 72 E**

**pages 463 - 466**

---



**Register 72 E**

**pages 467 - 468**

---



**Register 72 E**

**pages 469 - 472**

---

## **Fittings and sash sizes SYSTEM N 14.2**

---



**Register 72 E**

**pages 558 - 564**

---



**Register 72 E**

**pages 559 - 566**

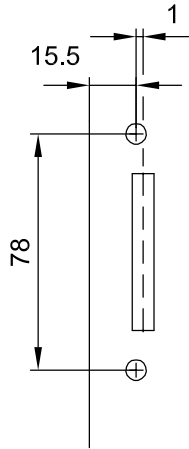
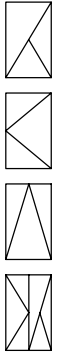
---



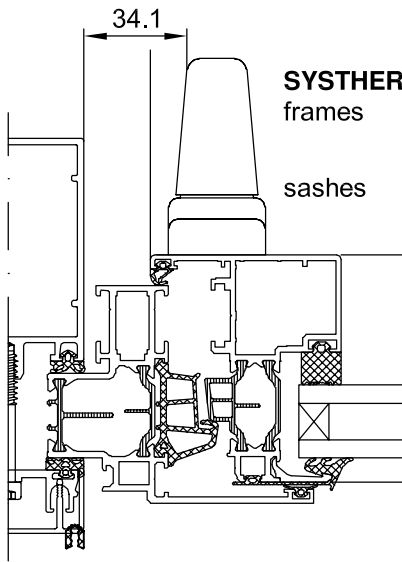
**Register 72 E**

**pages 561 - 568**

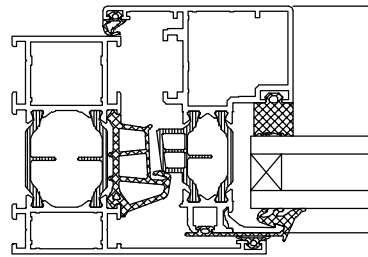
---



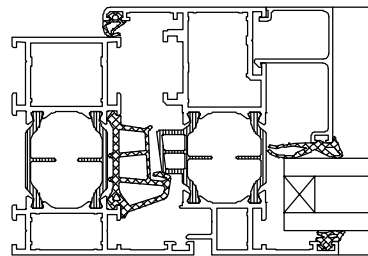
Notched for  
handle gear  
with punching tool  
28 101 00  
28 001 00  
28 025 00  
77 911 0



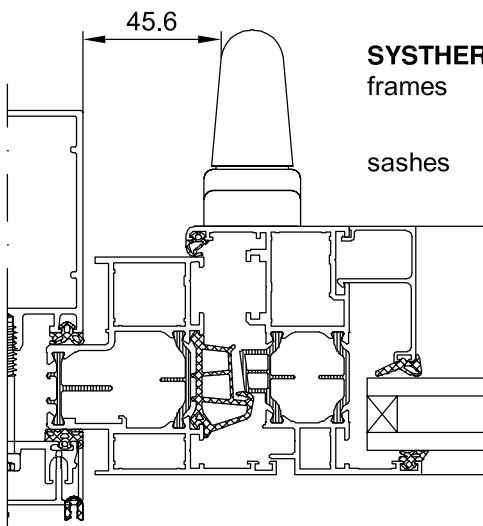
**SYSTHERM® 72E**  
frames 76 057 0  
78 063 0  
sashes 76 941 0  
76 942 0  
78 001 0



**SYSTHERM® 72E**  
all frames  
and transoms  
sashes 76 941 0  
76 942 0  
78 001 0

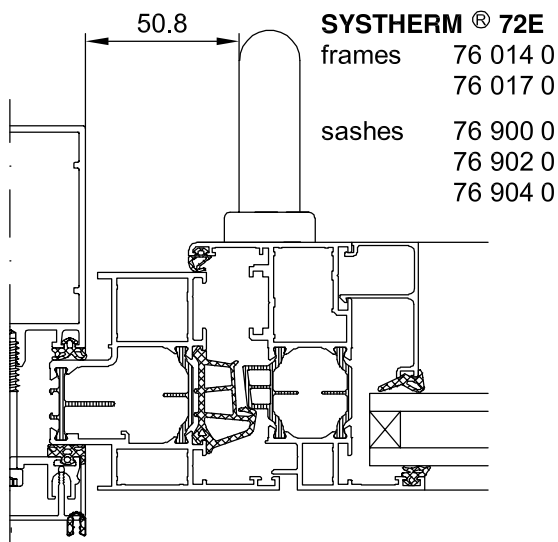
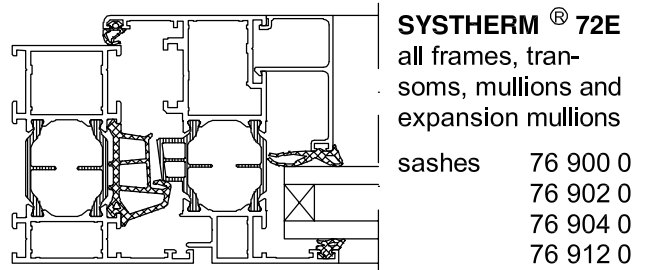
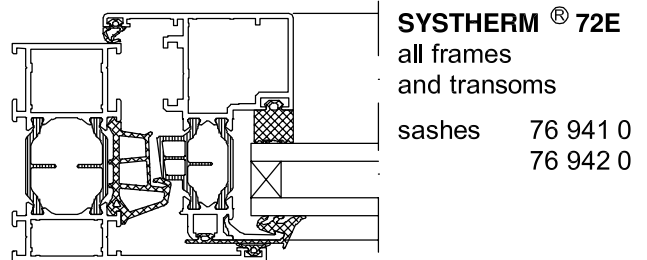
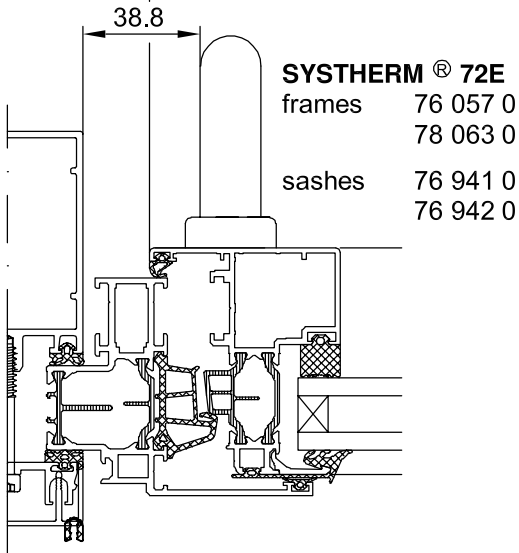
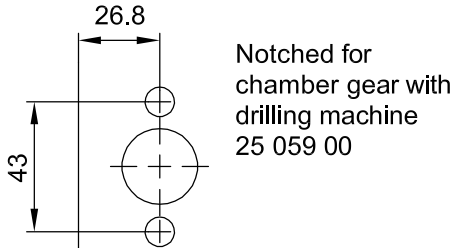


**SYSTHERM® 72E**  
all frames,  
transoms, mullions  
and expansion mullions  
sashes 76 900 0  
76 902 0  
76 904 0  
76 912 0



**SYSTHERM® 72E**  
frames 76 014 0  
76 017 0  
sashes 76 900 0  
76 902 0  
76 904 0

## SYSTEM N 14.1 possible profile combinations for fittings with chamber gear



## **Fittings and sash sizes SYSTEM N 14.1**

---

### **Catalogue windows / doors**



**Register 72 E**

**pages 413 - 416**

---



**Register 72 E**

**pages 417 - 420**

---



**Register 72 E**

**pages 421 - 422**

---



**Register 72 E**

**pages 423 - 426**  
**pages 606 - 613**

---

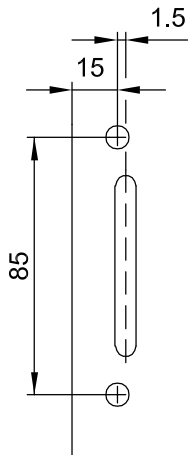
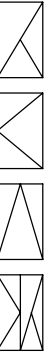


**Register 72 E**

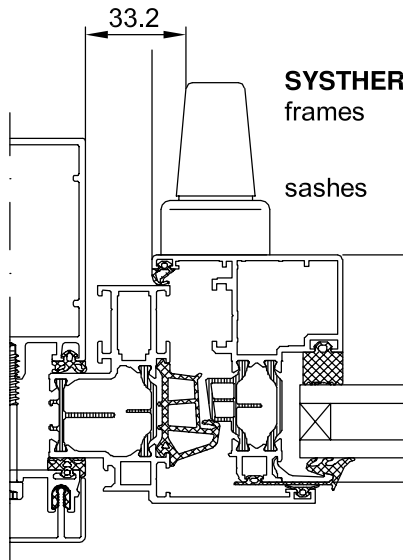
**pages 701 - 718**  
**pages 751 - 766**

---

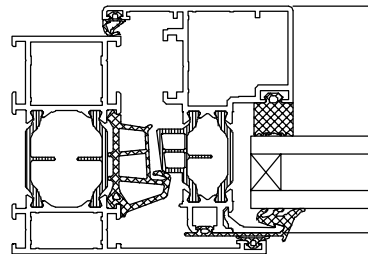
## SYSTEM E 14.1 possible profile combinations for fittings with handle gear



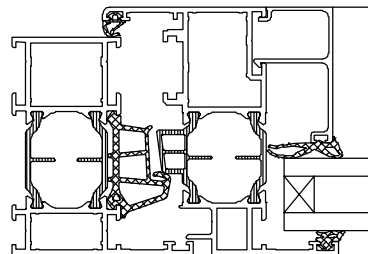
Notched for  
handle gear with  
punching tool  
28 002 00 or  
77 911 0



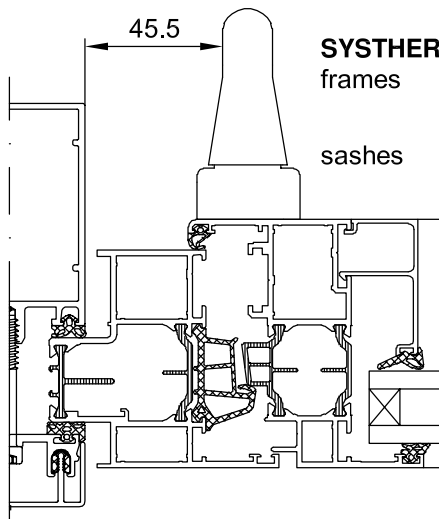
**SYSTHERM® 72E**  
frames 76 057 0  
78 063 0  
sashes 76 941 0  
76 942 0  
78 001 0



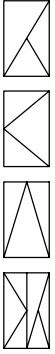
**SYSTHERM® 72E**  
all frames  
and transoms  
sashes 76 941 0  
76 942 0  
78 001 0



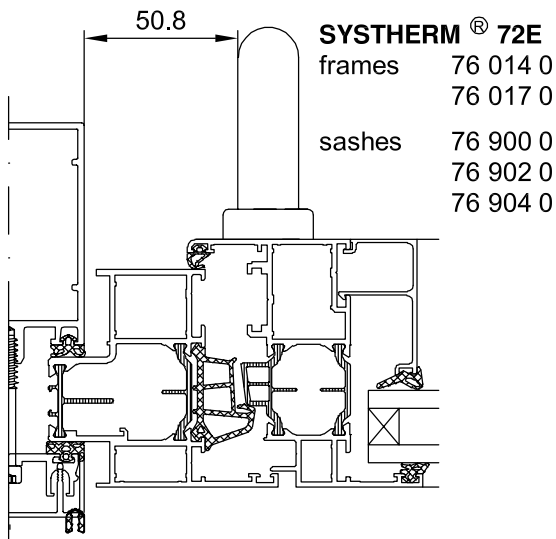
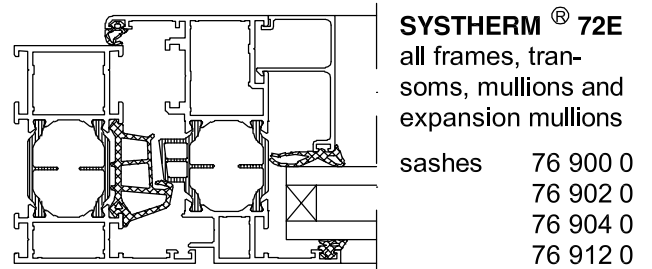
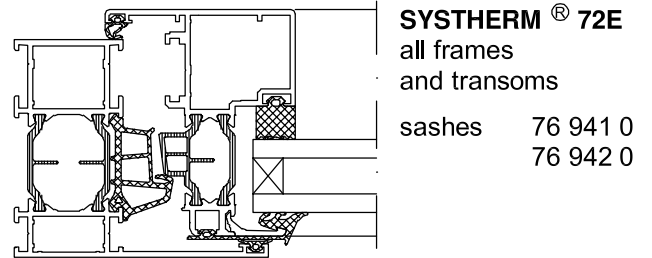
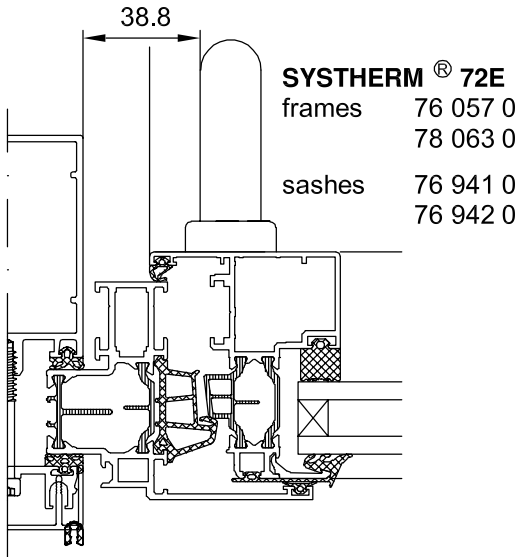
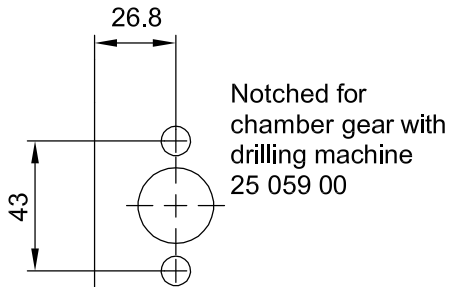
**SYSTHERM® 72E**  
all frames, tran-  
soms, mullions and  
expansion mullions  
sashes 76 900 0  
76 902 0  
76 904 0  
76 912 0



**SYSTHERM® 72E**  
frames 76 014 0  
76 017 0  
sashes 76 900 0  
76 902 0  
76 904 0



## SYSTEM E 14.1 possible profile combinations for fittings with chamber gear





## Fittings for top-hung projecting out windows Overview of fittings

article number	fittings	page
<b>fitting requirements</b> <b>13 430 00</b> <b>13 480 00</b> <b>13 485 00</b>	<b>combination of fittings for top hung projecting out windows 1 consisting of:</b> central lock locking device without corner linkage gear stay-arm fitting for top-hung window 60 kg sash sizes for fittings combination 1	606 606 606 607
<b>fitting requirements</b> <b>13 430 00</b> <b>13 481 00</b> <b>13 485 00</b>	<b>combination of fittings for top hung projecting out windows 2 consisting of:</b> central lock locking device with corner linkage gear stay-arm fitting for top-hung window 60 kg sash sizes for fittings combination 2	608 608 608 609
<b>fitting requirements</b> <b>13 430 00</b> <b>13 480 00</b> <b>13 486 00</b>	<b>combination of fittings for top hung projecting out windows 3 consisting of:</b> central lock locking device without corner linkage gear stay-arm fitting for top-hung window 120 kg sash sizes for fittings combination 3	610 610 610 611
<b>fitting requirements</b> <b>13 430 00</b> <b>13 481 00</b> <b>13 486 00</b>	<b>combination of fittings for top hung projecting out windows 4 consisting of:</b> central lock locking device with corner linkage gear stay-arm fitting for top-hung window 120 kg sash sizes for fittings combination 4	612 612 612 613