

7 Internal glazing gaskets

In order to guarantee that the sealing is weatherproof, the course of gasket indicated below has to be observed. The end parts of the mullion gaskets are covered with sealing compound.

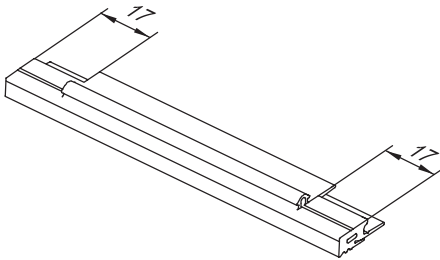
Attention!

All joint and cutting edges have to be dry and free from grease and dust.

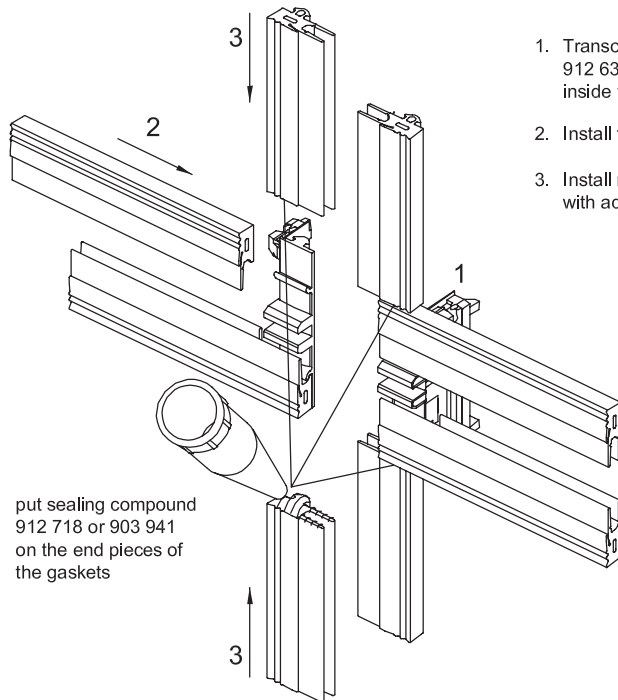
7.1 Glazing gaskets with fins for use with spacer profiles



gasket cutting within the transom:
axial dimension -28 mm



cut off gasket fin
(transom area)
with gasket cutting
shears 912 690
tear or cut
off gasket fin

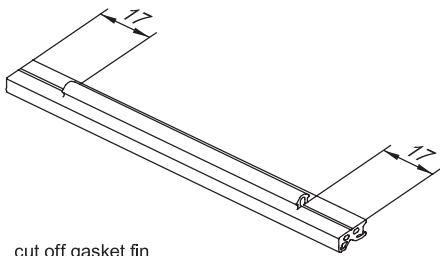


1. Transom housing gasket 912 630 installed inside the t-bracket
2. Install transom gasket
3. Install mullion gasket with additional length

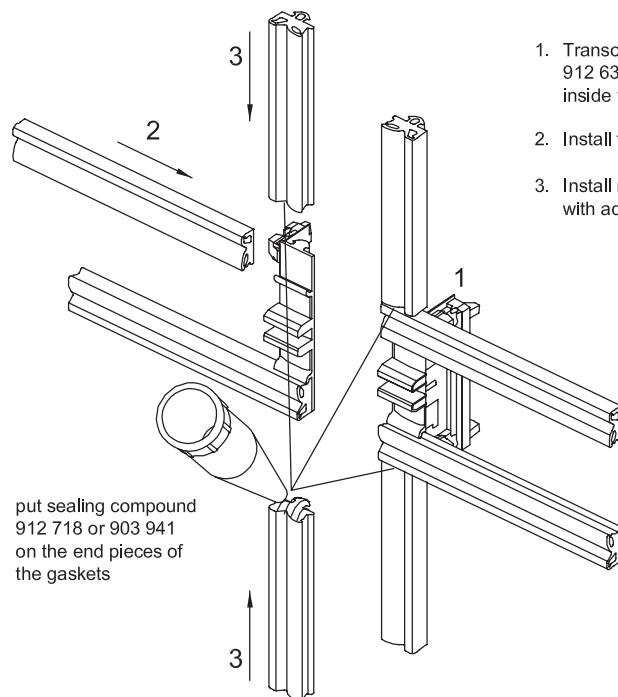
7.2 Glazing gaskets without fins for use with insulating profiles



gasket cutting within the transom:
axial dimension -28 mm



cut off gasket fin
(transom area)
with gasket cutting
shears 912 690



1. Transom housing gasket 912 630 installed inside the t-bracket
2. Install transom gasket
3. Install mullion gasket with additional length