

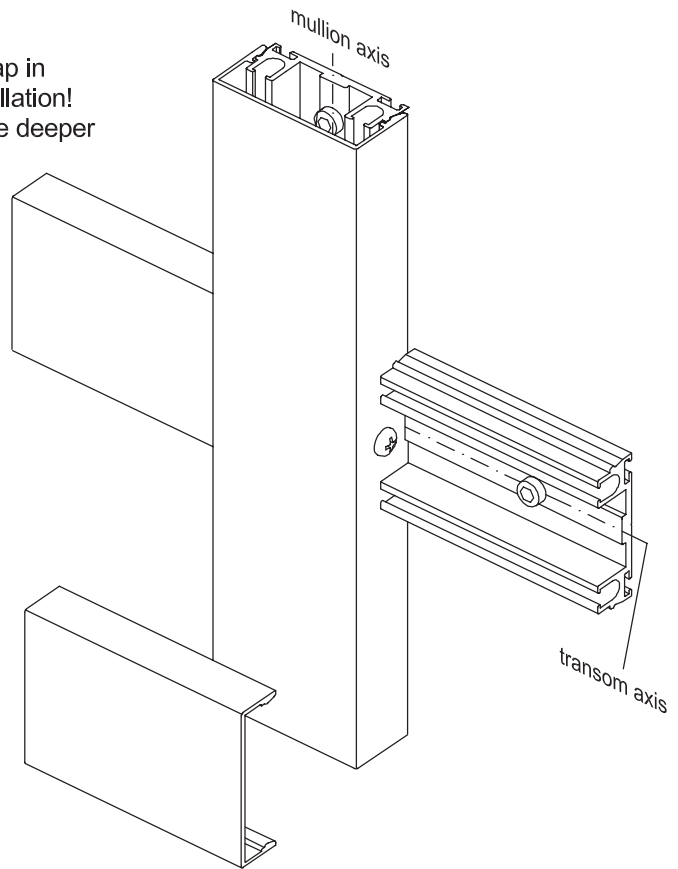
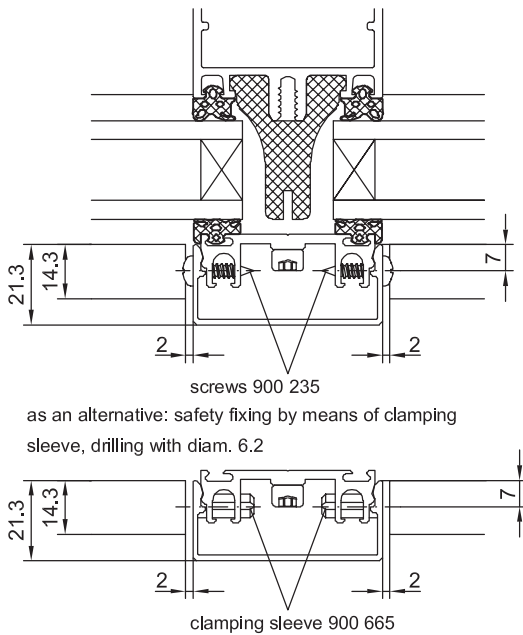
## 11 Safety fixing for cover profiles

Fix the vertical cover profiles for each storey and/or each cutting to length in the upper transom area (concealed) once on both sides by means of a self-tapping screw 900 235, ST 3.9 x 16 mm.

### Attention!

Screw holes in the pressure plate profile and the snap in cover profile have to be drilled together prior to installation! The depth of mullion snap in cover profiles should be deeper than those of the transoms.

### 11.1 Security for snap in cover profiles



### 11.2 Safety fixing for cover profiles

