

14 Installing glass supports in case of transom junctions

14.1 Installing glass supports in case of inlet transoms

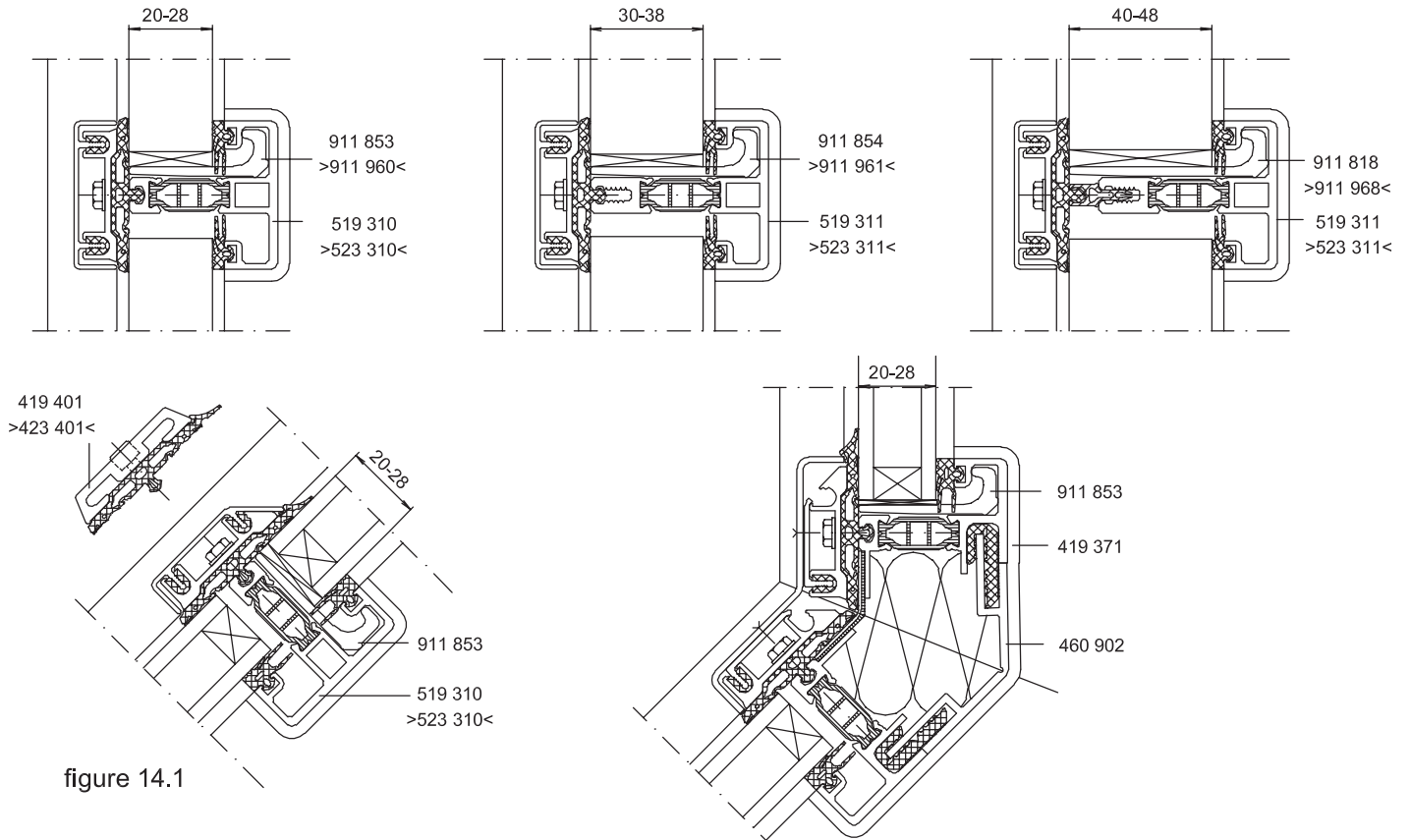


figure 14.1

14.2 Installing glass supports in case of deepened transoms

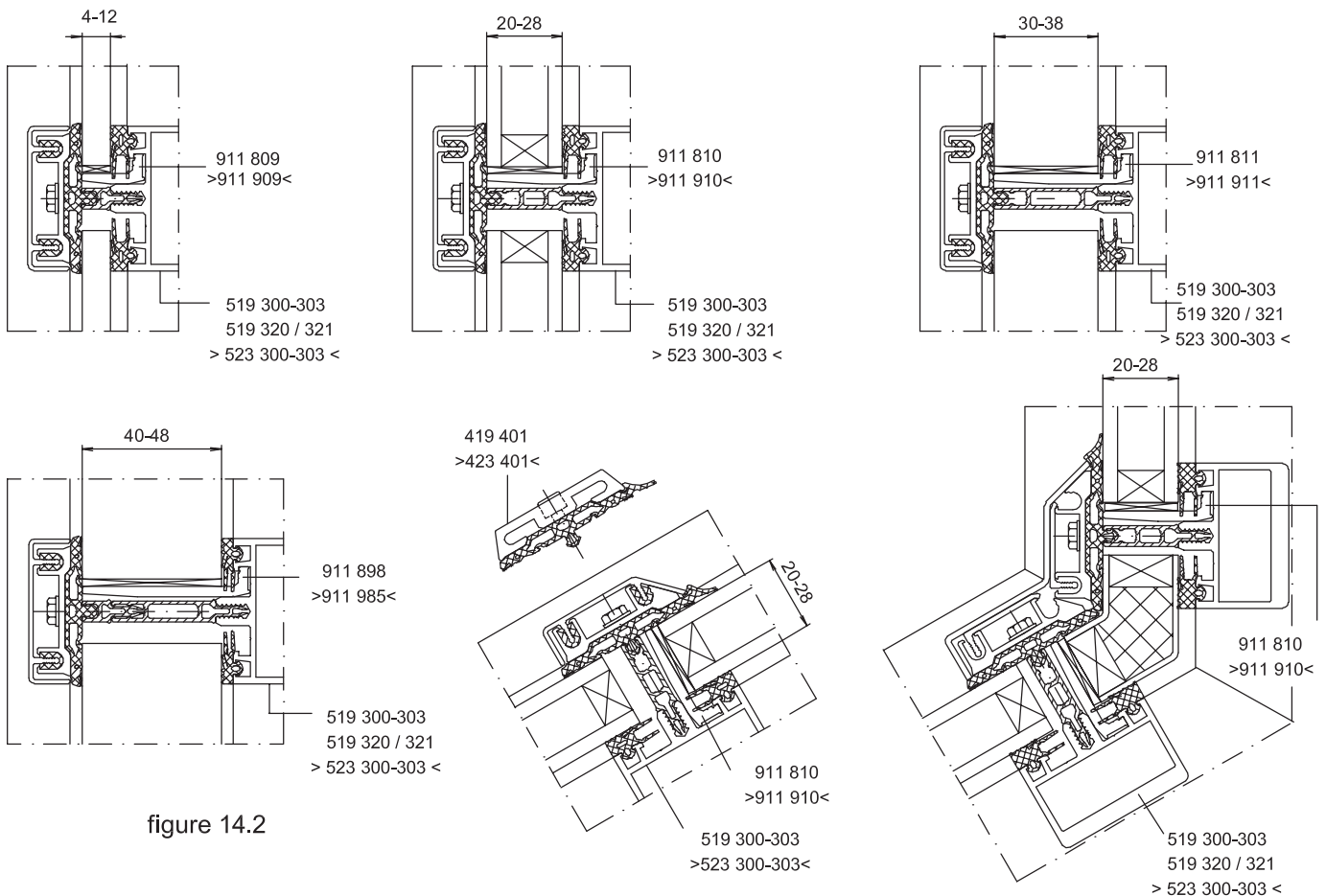


figure 14.2