

22 Examples of application

The following examples of application represent standard solutions. They can, of course, be modified according to the structural requirements.

22.1 Connection examples

concerning a concrete column with external thermal insulation and panel cladding.

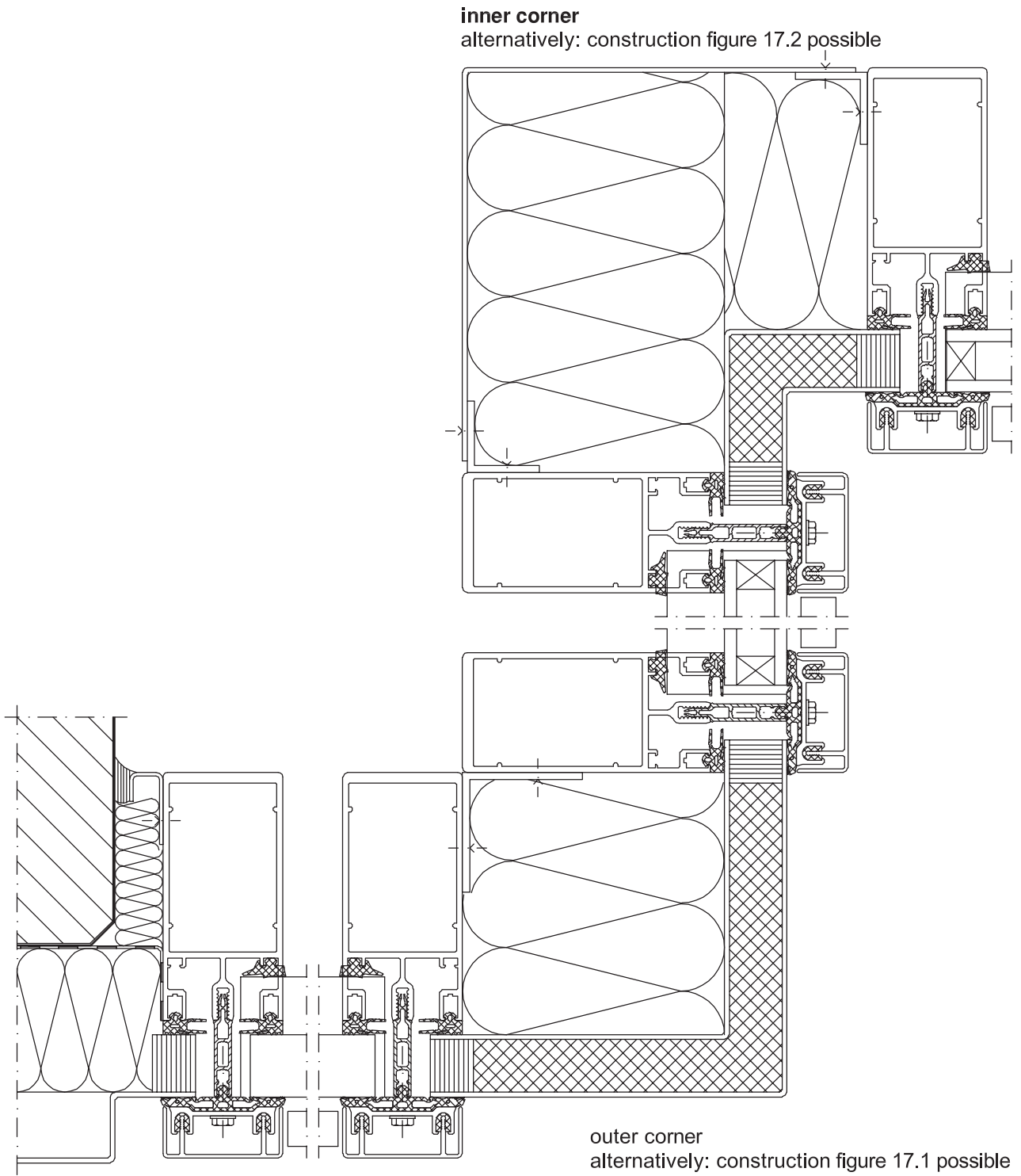


figure 22.1

22.2 Vertical section including supplementary profiles

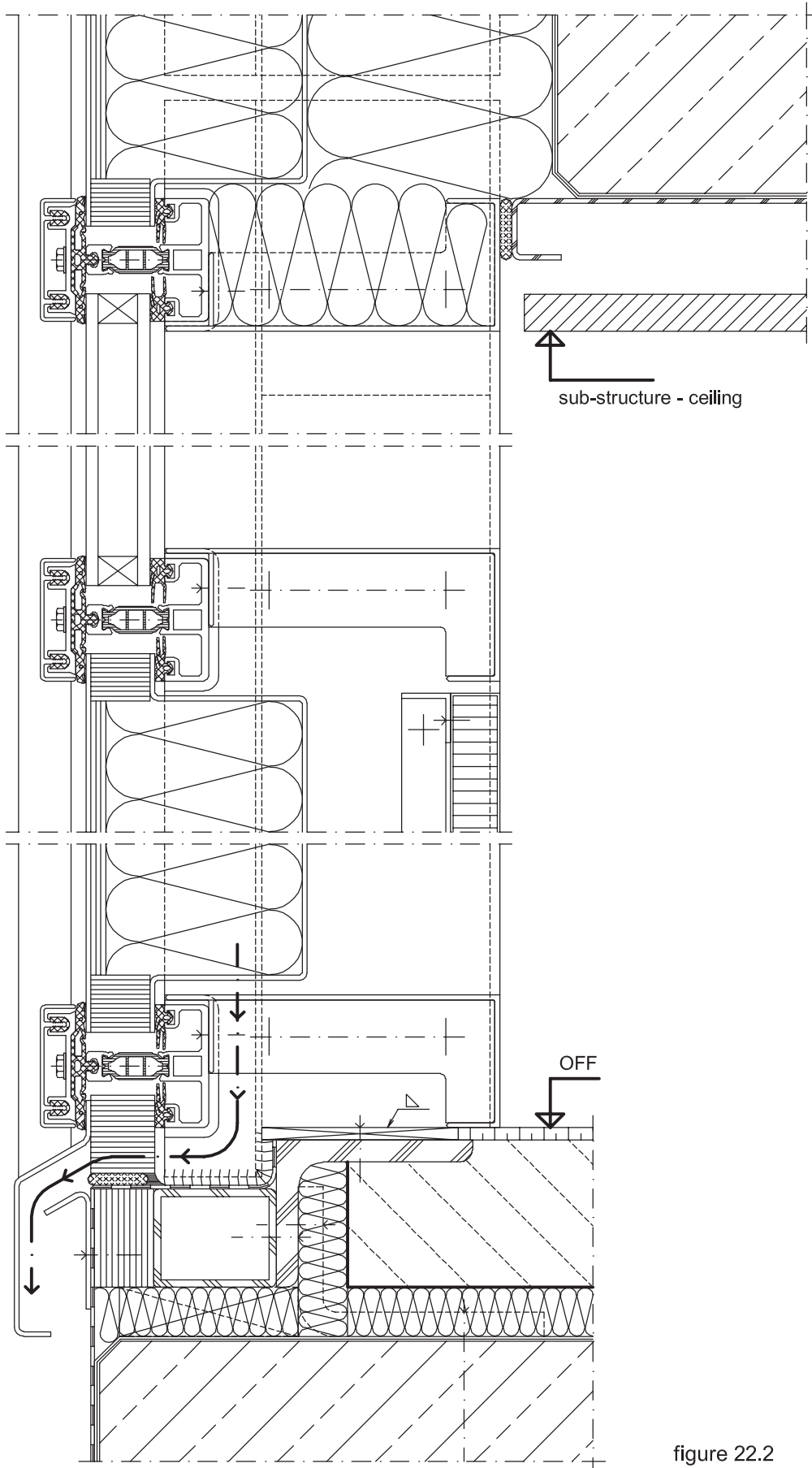
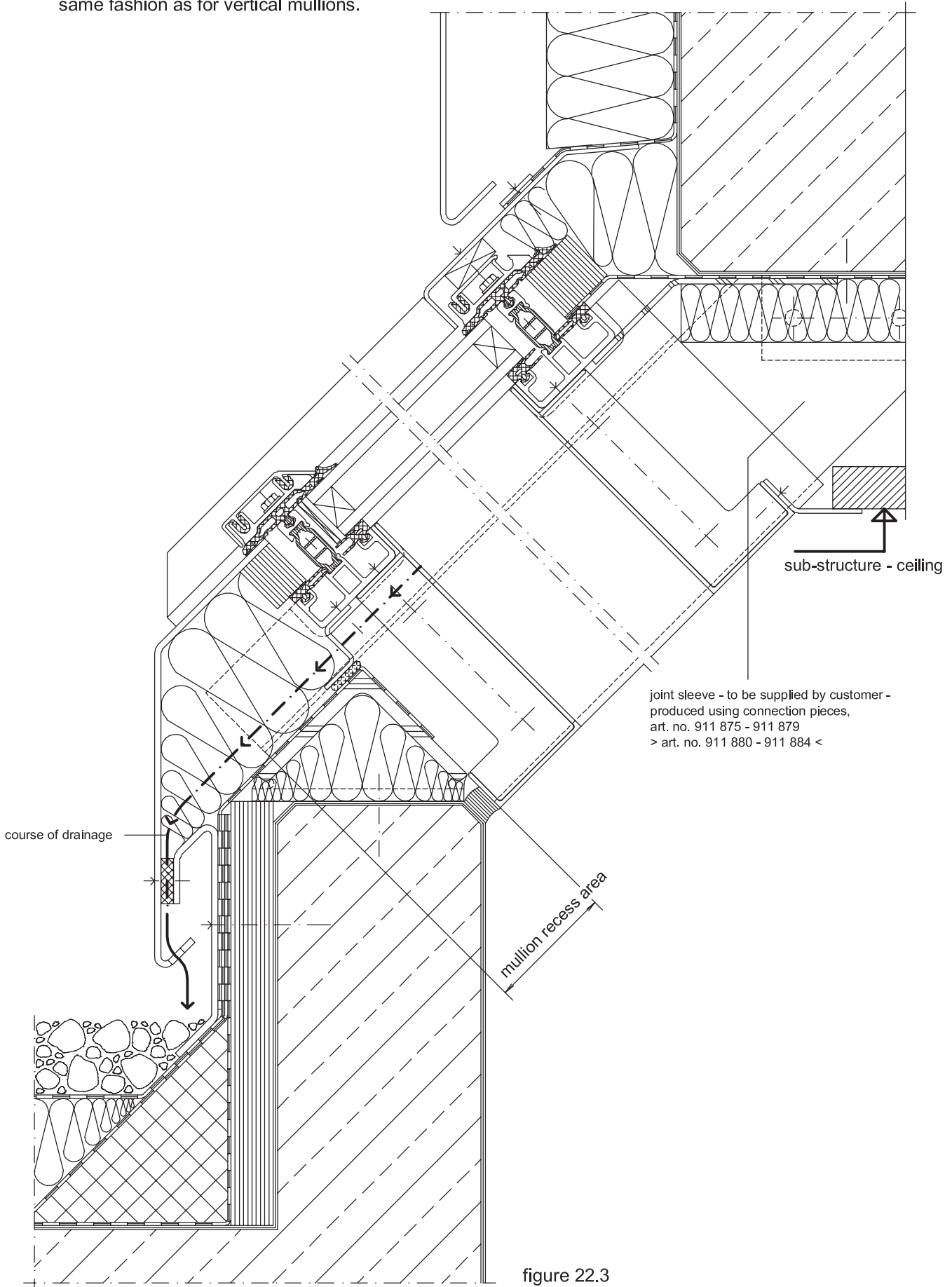


figure 22.2

22.3 Slanted mullion

Where slanted mullions are concerned, connection to the building structure is carried out in the same fashion as for vertical mullions.



22.4 Mullion fixing by means of steel sword

Caution!

Workshop processing required for this procedure.

The illustrated design is an example and varies with regard to the structural conditions.

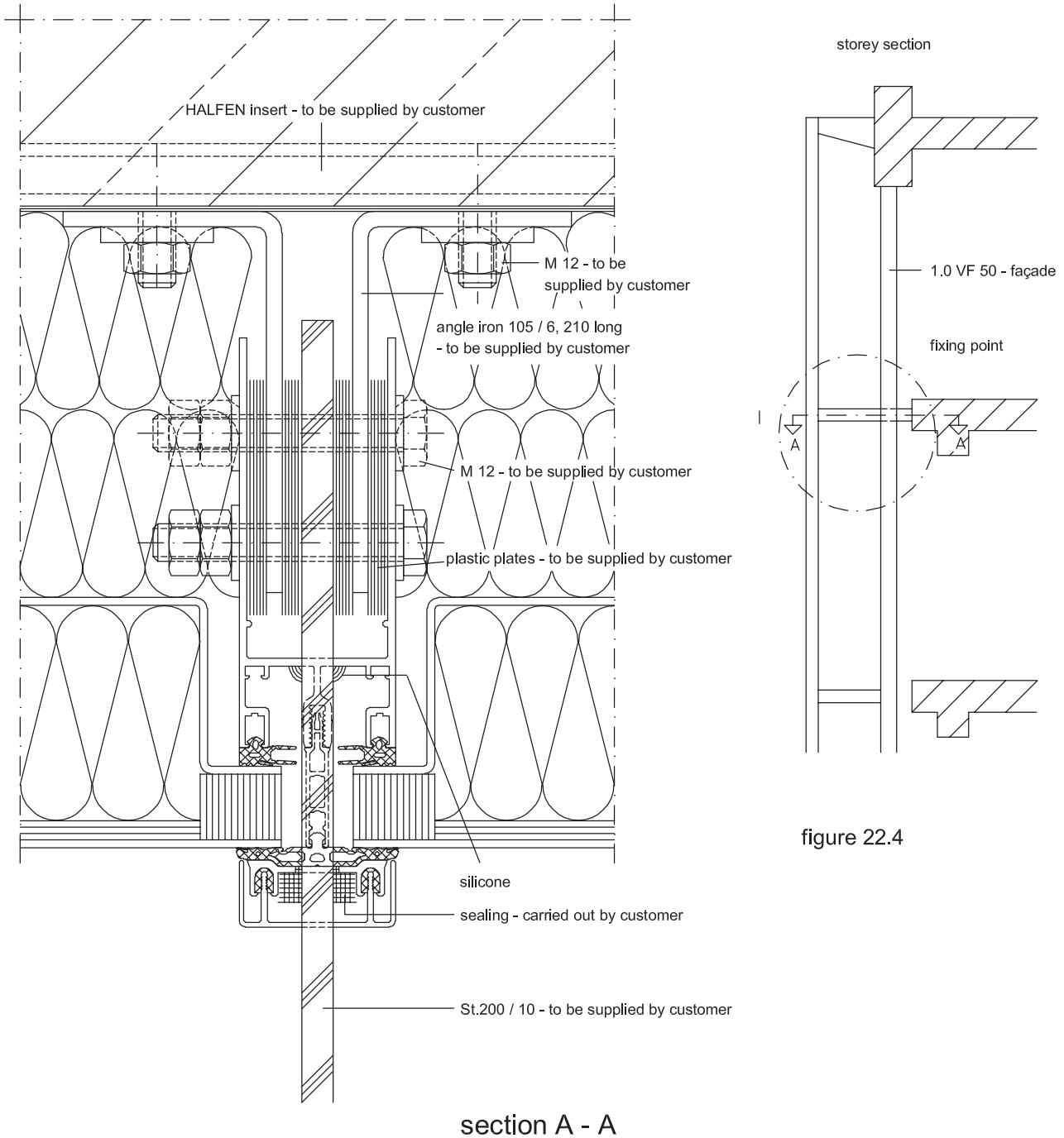


figure 22.4

22.5 Mullion processing for scaffolding and balustrades

Caution!

Workshop processing required for this procedure.

The illustrated design is an example and varies with regard to the structural conditions.

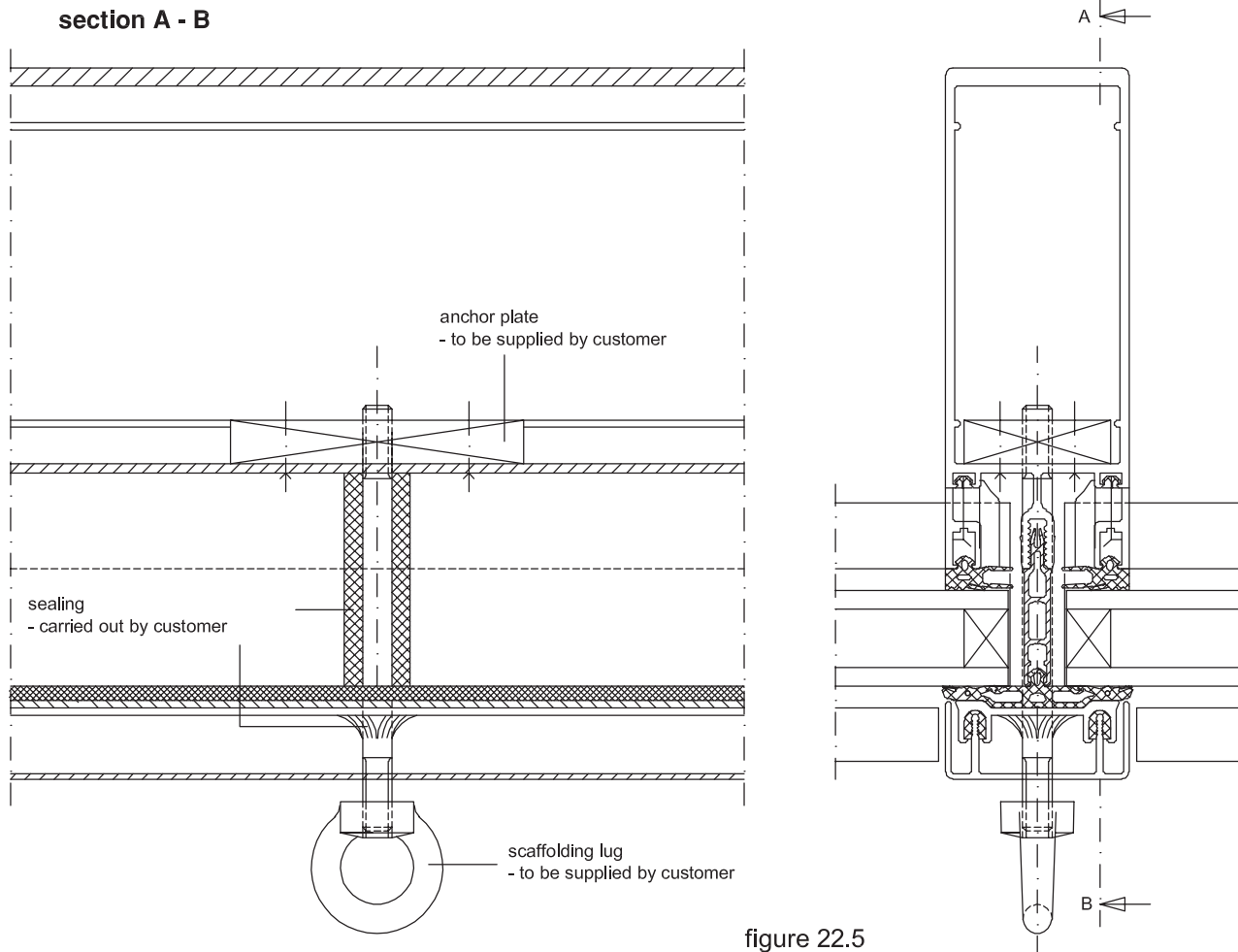


figure 22.5