

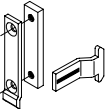
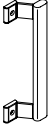


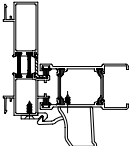
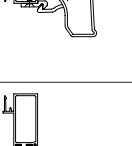
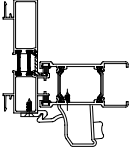
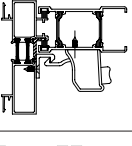
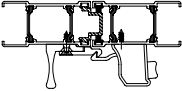
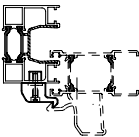
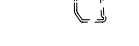
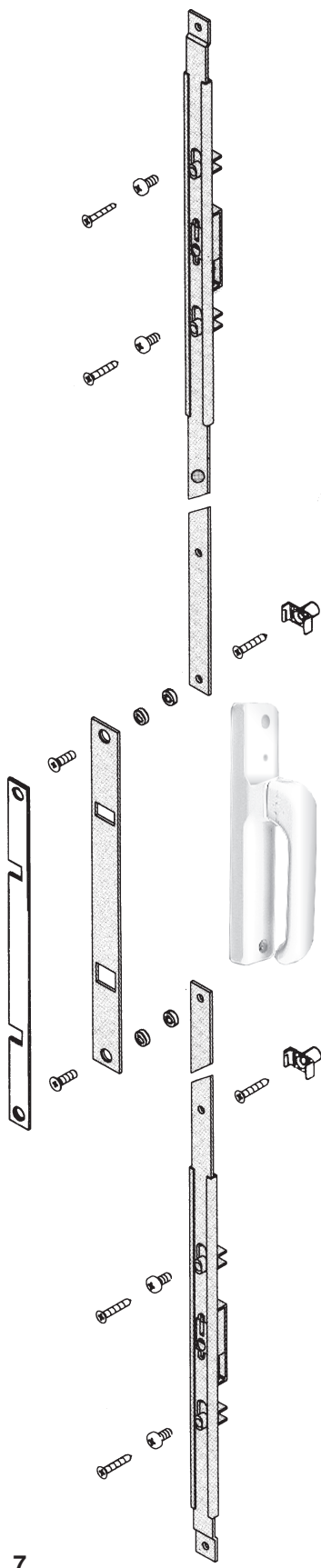


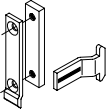

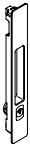
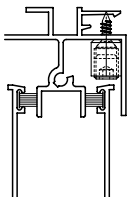
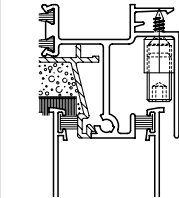


Description	Series SC 90	Series SC 90 i
<b>Lateral locks for schemes A, D, C, F</b>  Lever handle without locking hook	<b>993 579 02</b> <b>993 579 12</b> <b>993 579 64</b>	993 579 02 993 579 12 993 579 64
 Flush handle, self-stopping, without locking hook	<b>909 496 02</b> <b>909 496 12</b> <b>909 496 64</b>	909 496 02 909 496 12 909 496 64
 Locking hook, suitable for 909 496 and 993 579	<b>993 516</b>	993 516
 Handle, suitable for 909 496	<b>906 886 02</b> <b>906 886 12</b> <b>906 886 64</b>	906 886 02 906 886 12 906 886 64
 Flush handle for outside mounting, suitable for 993 579 (for sash operation only)	<b>993 582 02</b> <b>993 582 12</b> <b>993 582 64</b>	993 582 02 993 582 12 993 582 64
 Flush handle for outside mounting, suitable for 993 579 (sash opening by means of key)	<b>993 583 02</b> <b>993 583 12</b> <b>993 583 64</b>	993 583 02 993 583 12 993 583 64
 Spring loaded catch lock, self-stopping, for internal sashes, 90 mm high	<b>993 522 02</b> <b>993 522 12</b> <b>993 522 64</b>	993 522 02 993 522 12 993 522 64
 Spring loaded catch lock, self-stopping, for internal sashes, 130 mm high	<b>993 523 02</b> <b>993 523 12</b>	993 513 02 993 513 12
 Spring loaded catch lock, not self-stopping, for internal sashes, 130 mm high	<b>993 521 02</b> <b>993 521 12</b> <b>993 521 64</b>	993 511 02 993 511 12 993 511 64
 Spring loaded catch lock, not self-stopping, for external sashes, 130 mm high	<b>993 525 02</b> <b>993 525 12</b>	993 515 02 993 515 12
 Handle bar with locking hook, 130 mm high, suitable for (A) and (B), for units with four / six sashes (scheme C + F + L)	<b>991 710 02</b> <b>991 710 12</b> <b>991 710 64</b>	993 514 02 993 514 12 993 514 64
 Locking hook, 90 mm high, suitable for fixed frames SC 90 (592 108); SC 90 i (589 001/002/006)	<b>993 563 02</b> <b>993 563 12</b> <b>993 563 64</b>	993 565 02 993 565 12 993 565 64
 Locking hook, 130 mm high, suitable for fixed frames SC 90 (592 108); SC 90 i (589 001/006)	<b>993 564 02</b> <b>993 564 12</b> <b>993 564 64</b>	993 566 02 993 566 12 993 566 64

Description	Series SC 90	Series SC 90 i
<p>3-point locking without locking hook (min. sash height = 1250 mm)</p> 	<b>993 524</b>	993 524
 <p>Lever handle without locking hook, suitable for 3-point locking (lock upon enquiry)</p>	<b>993 579 02</b> <b>993 579 12</b> <b>993 579 64</b>	993 579 02 993 579 12 993 579 64
 <p>Flush handle, self-stopping, without locking hook, suitable for 3-point locking</p>	<b>909 496 02</b> <b>909 496 12</b> <b>909 496 64</b>	909 496 02 909 496 12 909 496 64
 <p>Locking hook, suitable for 993 524</p>	<b>993 547</b>	993 547
 <p>Flush handle for outside mounting, suitable for 993 579 and 909 496 (for sash operation only)</p>	<b>993 582 02</b> <b>993 582 12</b> <b>993 582 64</b>	993 582 02 993 582 12 993 582 64
 <p>Flush handle for outside mounting, suitable for 993 579 (sash opening by means of key)</p>	<b>993 583 02</b> <b>993 583 12</b> <b>993 583 64</b>	993 583 02 993 583 12 993 583 64
<p>Lift-up security, 2 required per sash</p> <div style="display: flex; justify-content: space-around;"> <div data-bbox="485 1630 616 1872"> <p>SC 90</p>  </div> <div data-bbox="641 1630 820 1872"> <p>SC 90 i</p>  </div> </div>	<b>993 546</b>	993 545
<p>Locking hook supplement for central lock (scheme C + F + L)</p>	<b>909 664</b>	909 665