

HUECK TEC for Windows

Complete software for the metalworker



Customer- and job-management

Calculation, offering

Construction

Minimization

Calculation of demand

Stock-management

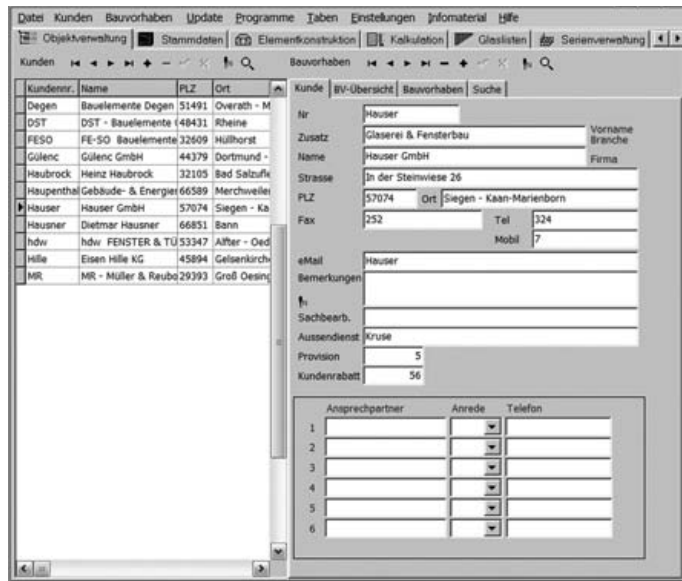
Invoicing

CAD

- **Windows**
- **Doors**
- **Fire protection**
- **Smoke protection**
- **Sliding/Lifting sliding**
- **Curtain walls**
 - including transom-transom
 - including fire protection
 - with insert frames

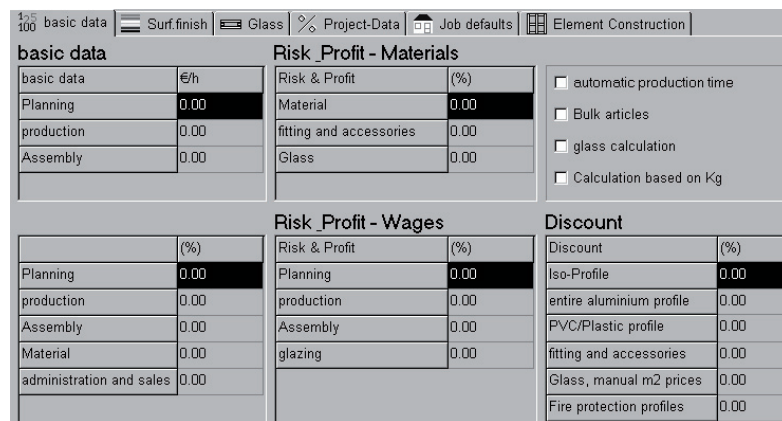
- **all actual HUECK/HARTMANN series**
- **Unlimited count of axis**
- **Sloped frames, sashes and transoms in 2D**
- **More than one element in one position**
- **Automatic association and check of fittings and accessory**

Customer- and job-management



- Management of customers
- Management of jobs
- Association of multiple jobs with one customer

Masterdata

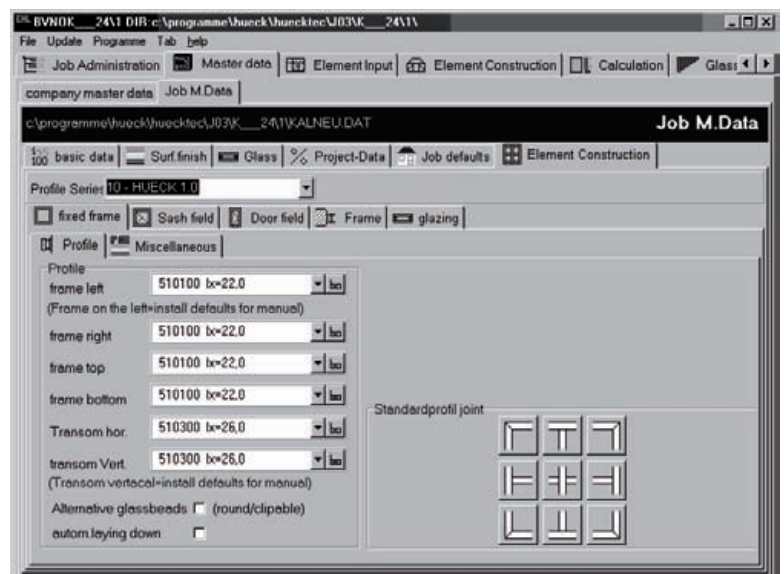


Company- and job-related masterdata for the calculation

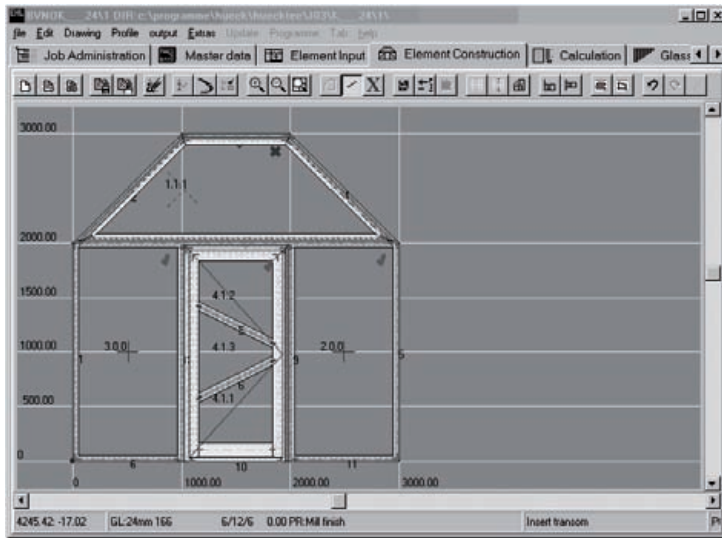
- Overhead costs, wages, production time, discount ...
- Pre-definition of glazing and surface
- Jobdata

Company-, job- and series-related masterdata for the construction

- Profiles, profile-joints
- Gaskets
- Brackets, glass-support
- Fittings
- Glazing
- Fire-protection accessories
- Minimum accessory with user-created accessory sets
- Wall-connections



Element construction



Construction of straight and sloped elements

or

automatic setting of profiles with pre-defined grid

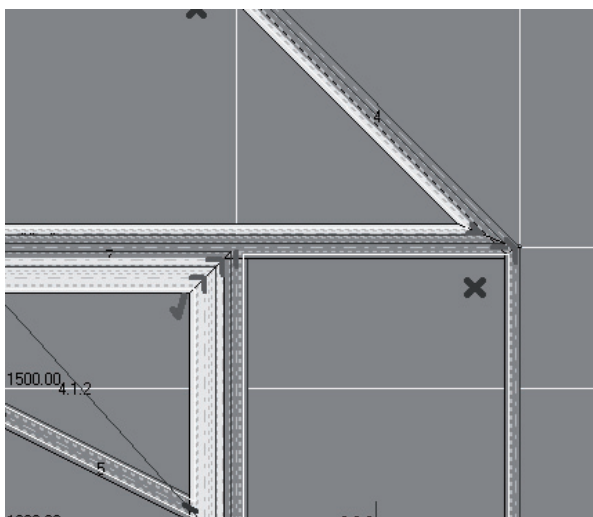
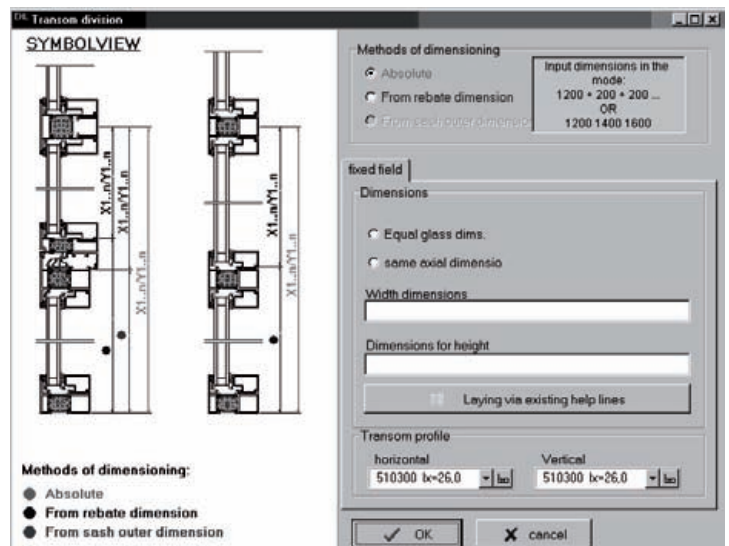
Setting and deleting of transoms

Moving of edges

Input of field-divisions with different methods:

- absolute
- using existing axis
- with equal glass-dimensions
- with equal axis

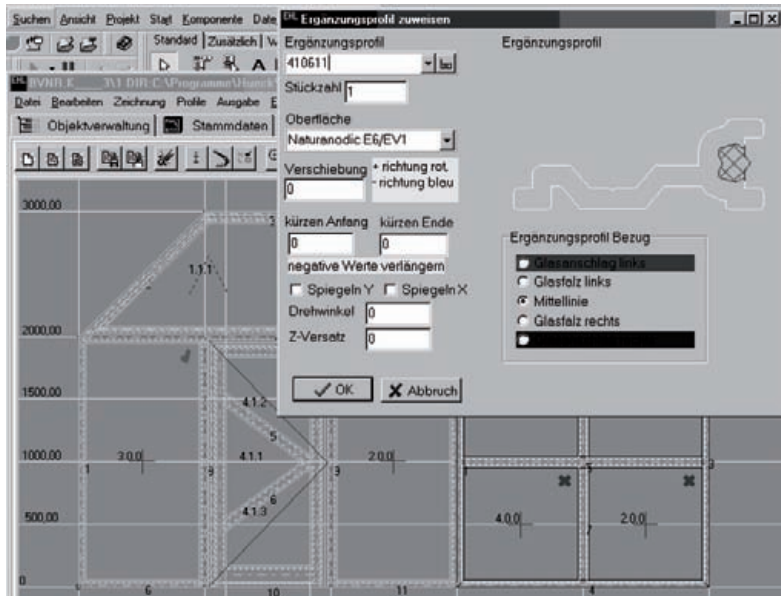
in double-wing elements separated for both sashes



Checking of data during the construction

- corner- and t-bracket
- fittings, handles and application ranges
- minimum accessory
- min/max glass-dimensions

Element construction (continued)



Construction in outside- or inside-view

Scaling of elements

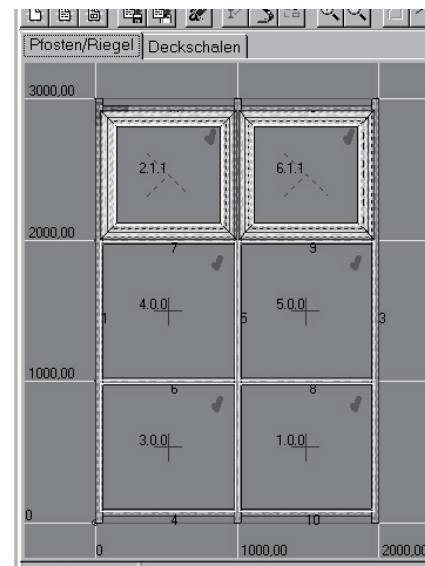
More than one element in one position

Setting of supplementary profiles

In curtain walls:

Construction in two levels

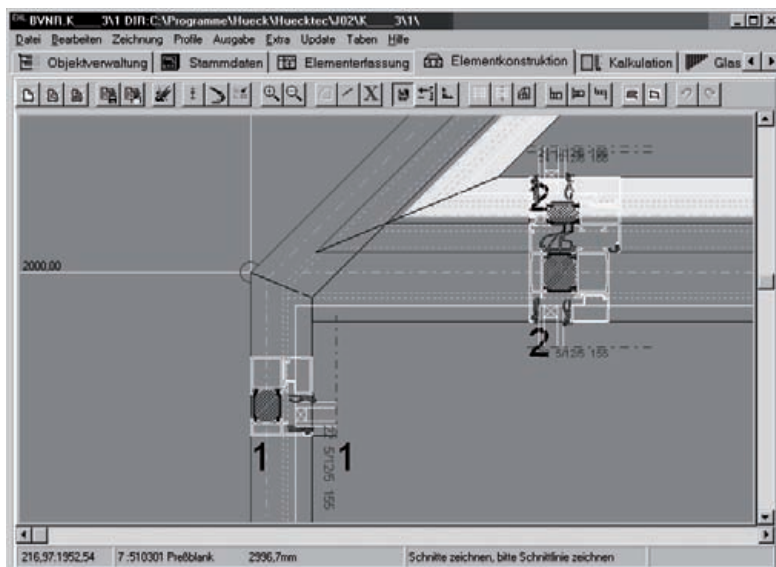
Insert-elements of multiple series with the masterdata of the insert-elements' series



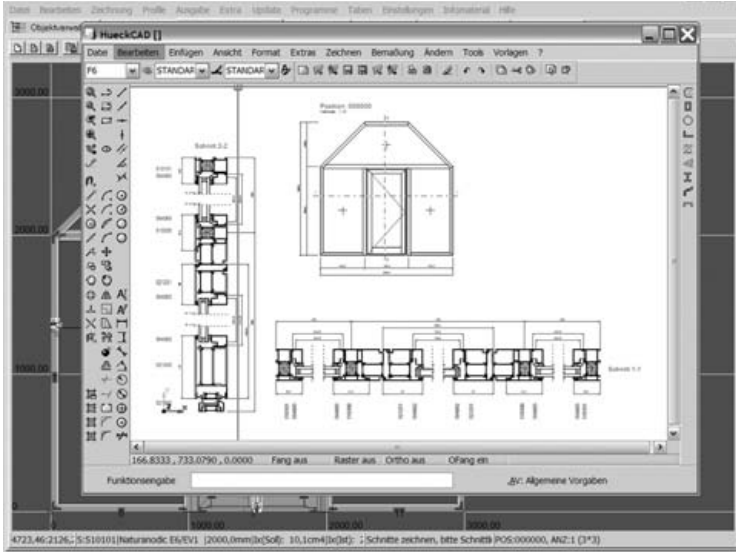
Changing of dimensions and section drawing while constructor

Moving of single profile-joints with automatic rebuild of all adjoining fields and profiles

Undo until the first step of construction



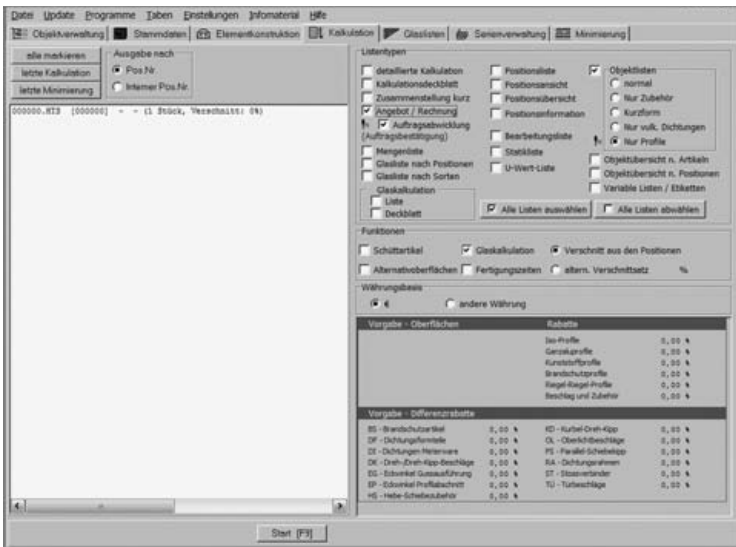
Element construction (continued)



Handover of drawings to HUECK CAD and other CAD-systems

Extensive configuration options for the generation of drawings

Calculation



Output of lists on screen and/or printer

- list of calculation
- offers, bills
- multiple lists with technical information
- glazing lists
- job lists

Alternative surfaces

Calculation of production times and bulk articles

Minimization



Profile minimization

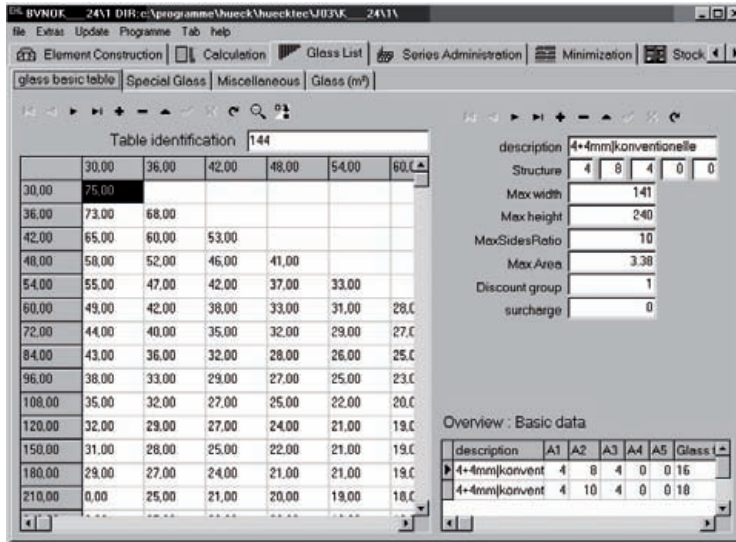
Cutting lists

Calculation of profile requirements

ASCII files for saws

Multiple configuration options

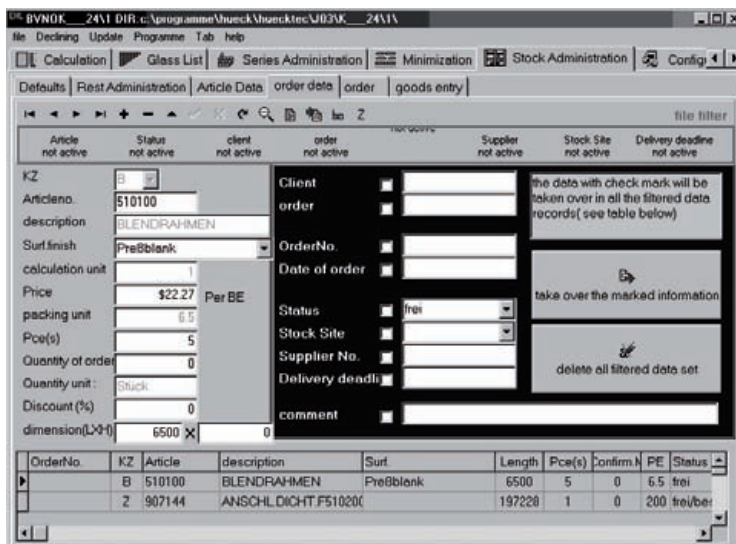
Glass-calculation



Masterdata for the calculation

- price-tables
- prices per m²
- special glazing

Stock management



Defaults for minimum stock and stock sites

System-/ supplier-independent management of materials

Stock site-, customer- or job-related

Rest administration

Multiple filter options

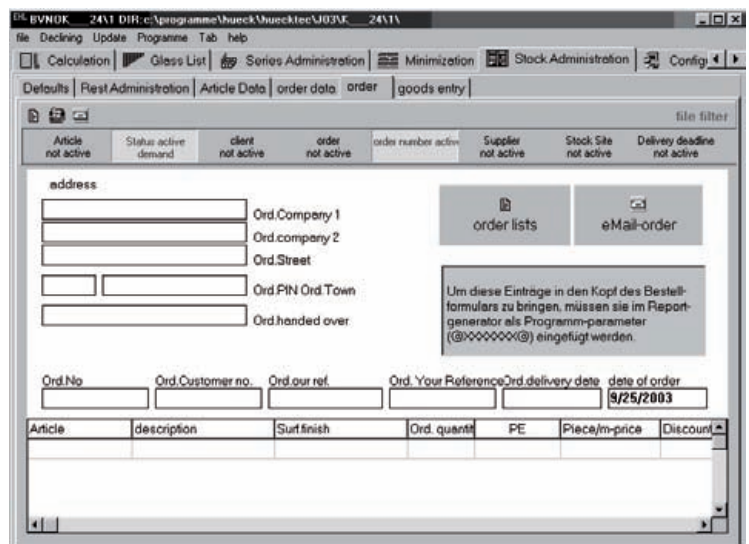
Determination of requirement including stock materials and rests from calculation and minimization

Reserving of stock materials

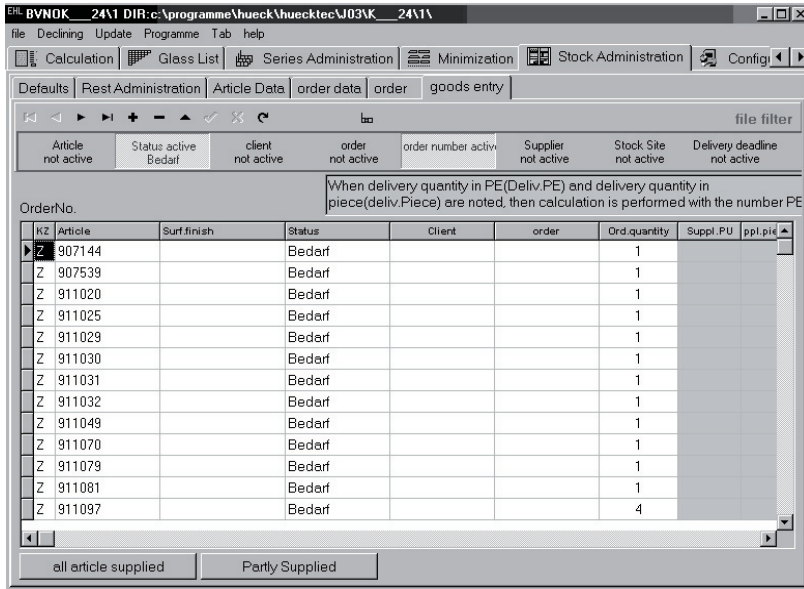
Creating of orders

• as paper-lists

• online



Stock management (continued)

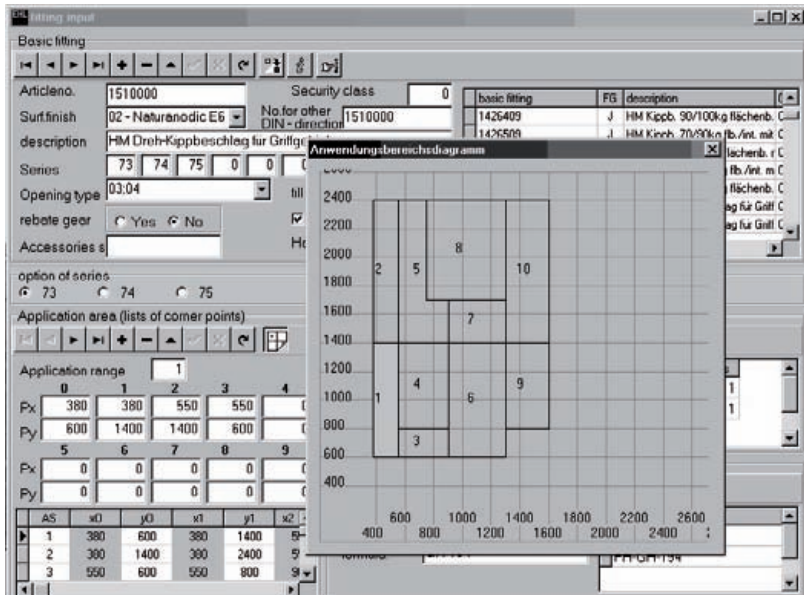


Goods entry

- complete
- selected items
- single parts of selected items

User-defined reports from the report-generator

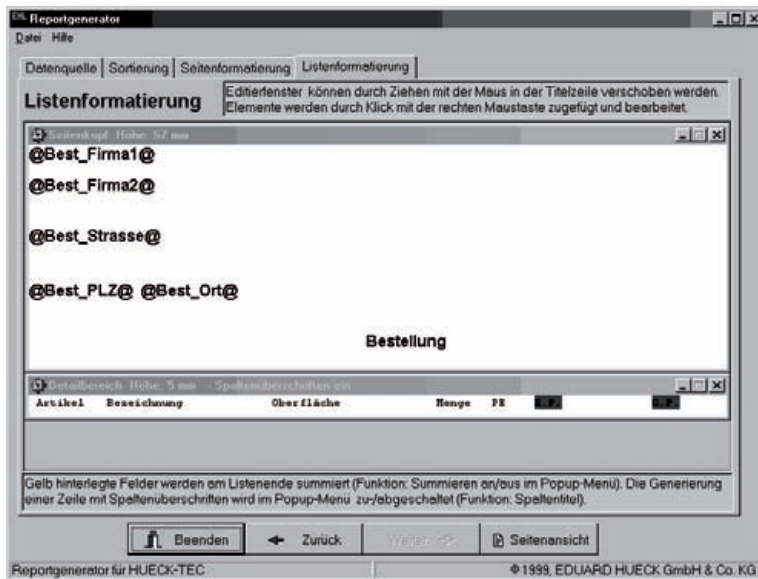
Series administration



Creating an modifying of user-series

- profiles
- accessory
- fittings
- glazing tables
- door accessory

Report-generator

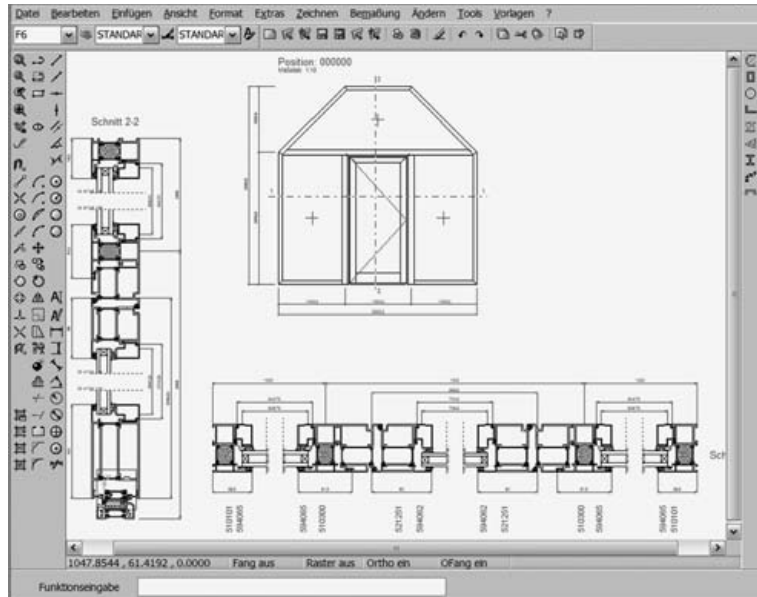


Creating of report-scripts for different fields:

- customer-/job-data
- calculation
- minimization
- material requirements
- glazing
- stock data

The scripts are used to create lists in HUECK TEC

HUECK CAD



Handover of drawings from HUECK TEC

Most common CAD-functions

Multiple file-formats including DWG, DXF, DGN, A11 and others

Additional metal work-specific macro-functions:

- concrete
- tubes
- L-shaped bars
- foils and dams
- steel beam database

HUECK TEC for Windows

Complete software for the metalworker

is created for use ...

- on every modern PC-system
(recommended 2 Ghz or more)
- with 32bit Windows-operating-systems
(Windows 2000 or XP)
- with Microsoft-netware

is currently available in following languages ...

- german
- english
- french
- norwegian
- danish
- czech
- polish
- russian

will be delivered as company version ...

- buy one - use multiple