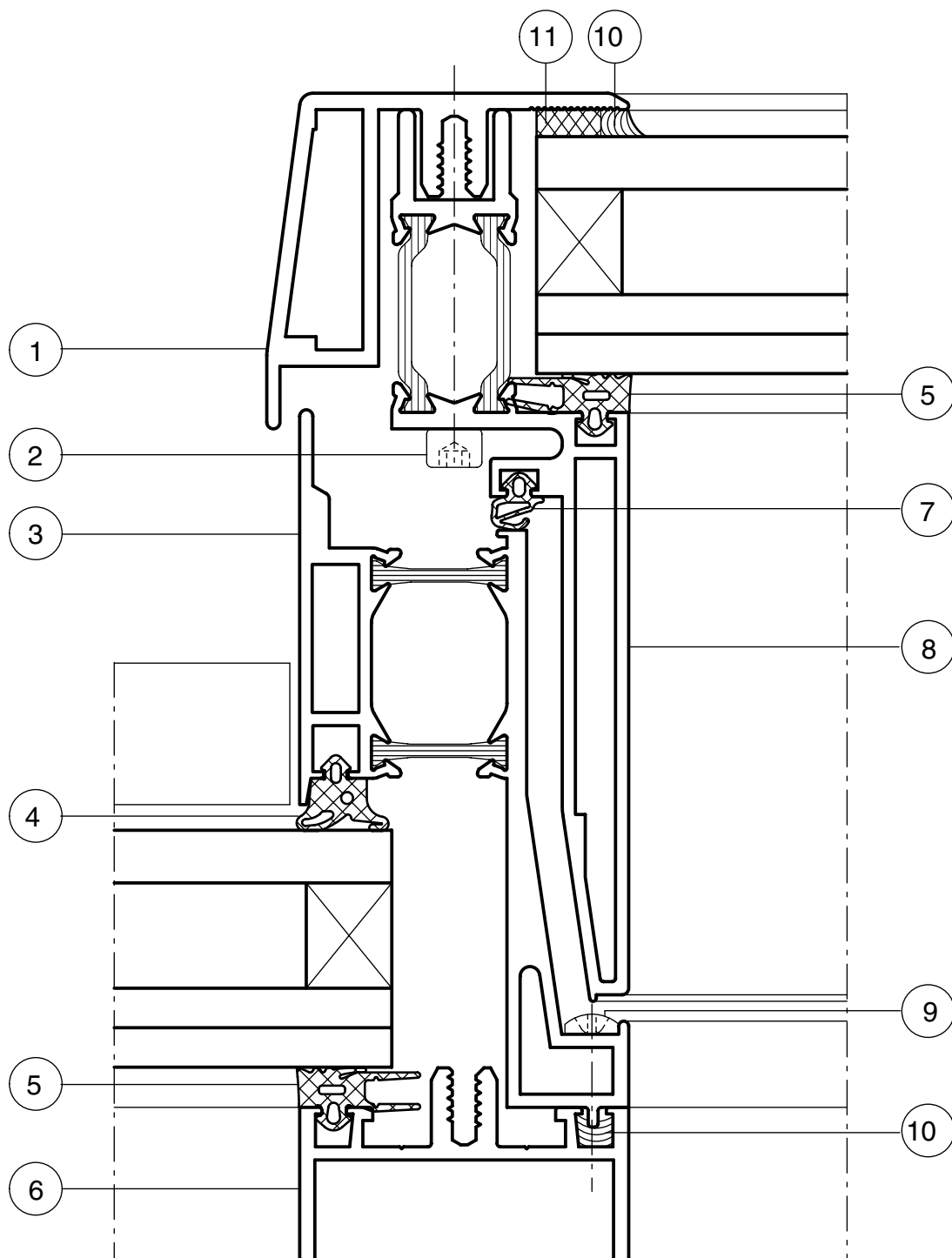
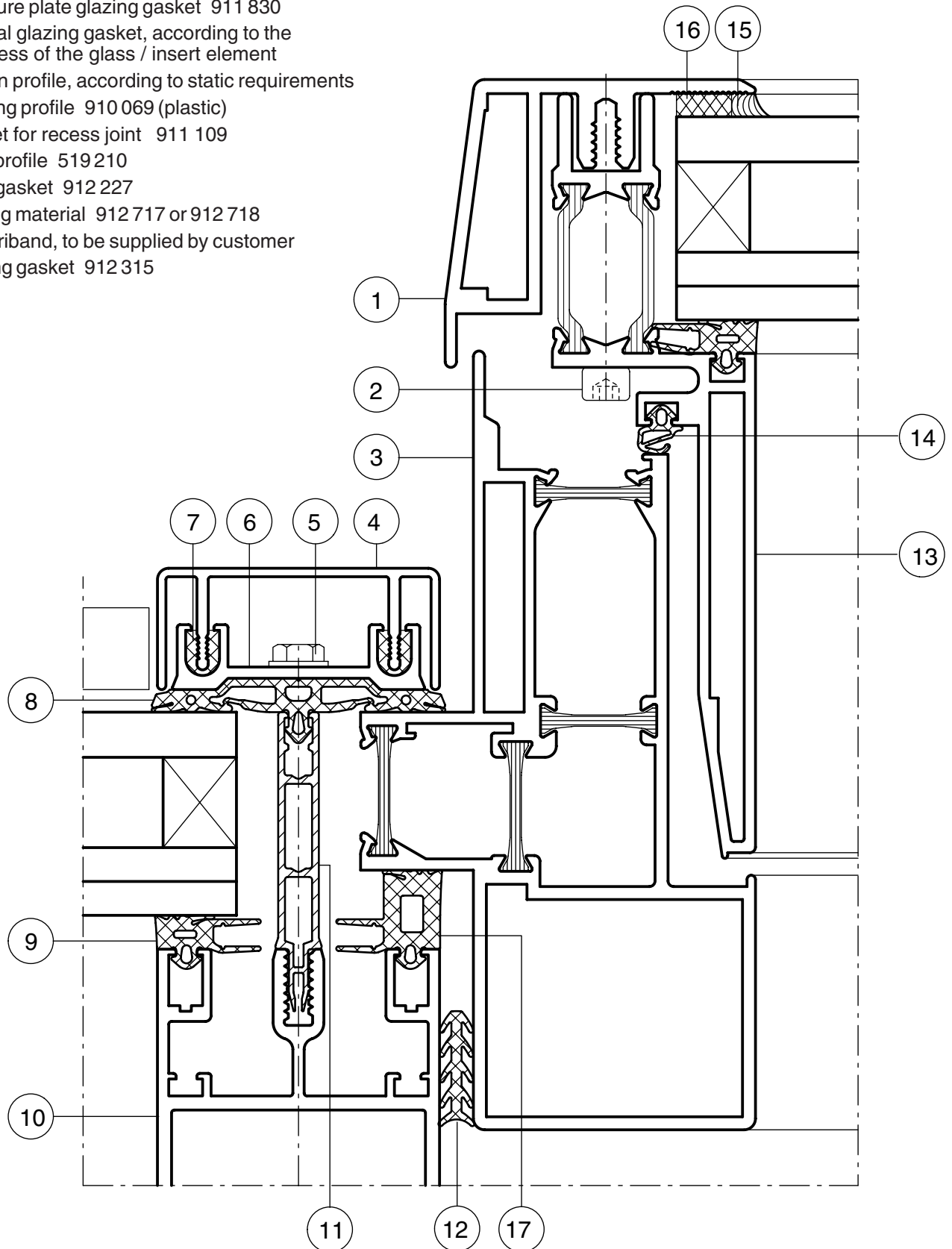


- 1 Coverprofile 519211
- 2 Facade fixing screw 911 936
- 3 Fixed frame 519510
- 4 Glazing gasket 912 221
- 5 Internal glazing gasket, according to the thickness of the glass / insert element
- 6 Transom profile
- 7 Sash gasket 912 227
- 8 Sash profile 519 210
- 9 Screw 912 426
- 10 Sealing material 912 717 or 912 718
- 11 Kompriband, to be supplied by customer



- 1 Coverprofile 519211
- 2 Facade fixing screw 911 936
- 3 Fixed frame 519511
- 4 Coverprofile 450601
- 5 Facade fixing screw 911 939
- 6 Pressure plate profile 419400
- 7 Rubber clip piece 906789
- 8 Pressure plate glazing gasket 911 830
- 9 Internal glazing gasket, according to the thickness of the glass / insert element
- 10 Mullion profile, according to static requirements
- 11 Spacing profile 910 069 (plastic)
- 12 Gasket for recess joint 911 109
- 13 Sash profile 519210
- 14 Sash gasket 912 227
- 15 Sealing material 912 717 or 912 718
- 16 Kompriband, to be supplied by customer
- 17 Glazing gasket 912 315



1:1

- 1 Coverprofile 523211
- 2 Facade fixing screw 911 936
- 3 Fixed frame 523510
- 4 Glazing gasket 912 221
- 5 Internal glazing gasket, according to the thickness of the glass / insert element
- 6 Transom profile
- 7 Sash gasket 912 227
- 8 Sash profile 523210
- 9 Screw 912 426
- 10 Sealing material 912 717 or 912 718
- 11 Kompriband, to be supplied by customer

