

Material compilation 1.0 VF50 RR Polygon pressure plate profile with continuous gasket

Rebate 32 mm with spacer profile

α	84° to 78°	78° to 72°	72° to 66°	66° to 60°
β	168° to 156°	156° to 144°	144° to 132°	132° to 120°
Mullion profile	519 351 to 356 519 151 to 160	519 351 to 356 519 151 to 160	519 351 to 356 519 151 to 160	519 351 to 356 519 151 to 160
Spacer profile	910 066	910 066	910 066	910 066
Pressure plate glazing gasket	911 831	911 832	911 833	911 834
Pressure plate profile	419 405	419 406	419 407	419 410
Façade screw	911 914	911 914	911 914	911 914
Cover profile	460 606	423 606	423 607	423 610

Rebate 32 mm with insulating profile

α	84° to 78°	78° to 72°	72° to 66°	66° to 60°
β	168° to 156°	156° to 144°	144° to 132°	132° to 120°
Mullion profile	519 351 to 356 519 151 to 160	519 351 to 356 519 151 to 160	519 351 to 356 519 151 to 160	519 351 to 356 519 151 to 160
Insulating profile	910 072	910 072	910 072	910 072
Pressure plate glazing gasket	911 831	911 832	911 833	911 834
Pressure plate profile	419 405	419 406	419 407	419 410
Façade screw	911 914	911 914	911 914	911 914
Cover profile	460 606	423 606	423 607	423 610

Rebate 42 mm with spacer profile

α	84° to 78°	78° to 72°	72° to 66°	66° to 60°
β	168° to 156°	156° to 144°	144° to 132°	132° to 120°
Mullion profile	519 351 to 356 519 151 to 160	519 351 to 356 519 151 to 160	519 351 to 356 519 151 to 160	519 351 to 356 519 151 to 160
Spacer profile	910 068	910 068	910 068	910 068
Pressure plate glazing gasket	911 831	911 832	911 833	911 834
Pressure plate profile	419 405	419 406	419 407	419 410
Façade screw	911 915	911 915	911 917	911 917
Cover profile	460 606	423 606	423 607	423 610

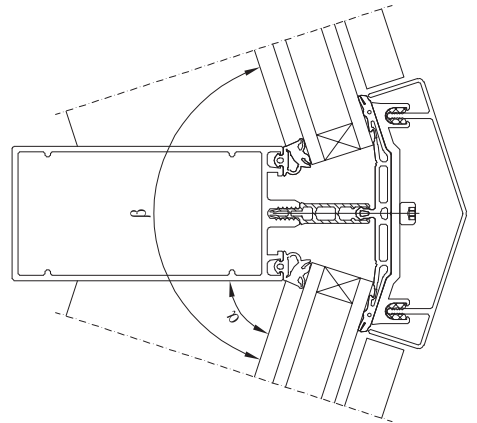
Rebate 42 mm with insulating profile

α	84° to 78°	78° to 72°	72° to 66°	66° to 60°
β	168° to 156°	156° to 144°	144° to 132°	132° to 120°
Mullion profile	519 351 to 356 519 151 to 160	519 351 to 356 519 151 to 160	519 351 to 356 519 151 to 160	519 351 to 356 519 151 to 160
Insulating profile	910 073	910 073	910 073	910 073
Pressure plate glazing gasket	911 831	911 832	911 833	911 834
Pressure plate profile	419 405	419 406	419 407	419 410
Façade screw	911 915	911 915	911 917	911 917
Cover profile	460 606	423 606	423 607	423 610

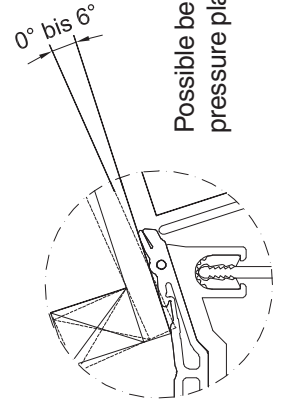
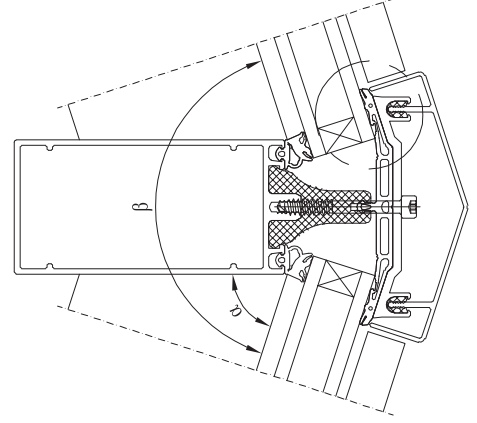
Internal glazing gasket for mullion with rebate 32 mm and 42 mm

Filling thickness	20 mm 30 mm	22 mm 32 mm	24 mm 34 mm	26 mm 36 mm	28 mm 38 mm
Glazing gasket	912 806	912 805	912 804	912 803	912 802

with spacer profile



with insulating profile



Possible bending angle
pressure plate area

Material compilation 1.0 VF50 RR Polygon pressure plate profile with divided pressure plate glazing gasket

Rebate 32 mm with insulating profile

α	72° to 60°	56° to 44°
β	144° to 120°	112° to 88°
Mullion profile	519 351 to 356 519 151 to 160	519 351 to 356 519 151 to 160
Insulating profile	910 073	910 073
Pressure plate glazing gasket	912 616	912 616
Pressure plate profile	419 436	419 435
Façade screw	911 927	911 927
Cover profile	423 610	460 611

Rebate 32 mm with spacer profile

α	72° to 60°	56° to 44°
β	144° to 120°	112° to 88°
Mullion profile	519 351 to 356 519 151 to 160	519 351 to 356 519 151 to 160
Spacer profile	910 068	910 068
Pressure plate glazing gasket	912 616	912 616
Pressure plate profile	419 436	419 435
Façade screw	911 927	911 927
Cover profile	423 610	460 611

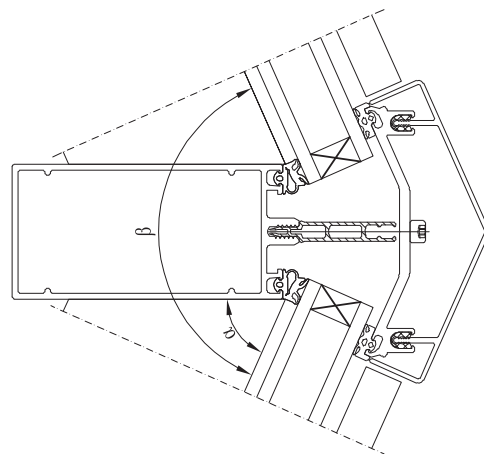
Rebate 42 mm with spacer profile

α	72° to 60°	56° to 44°
β	144° to 120°	112° to 88°
Mullion profile	519 351 to 356 519 151 to 160	519 351 to 356 519 151 to 160
Spacer profile	910 068 + 910 064	910 068 + 910 064
Pressure plate glazing gasket	912 616	912 616
Pressure plate profile	419 436	419 435
Façade screw	911 939	911 967
Cover profile	423 610	460 611

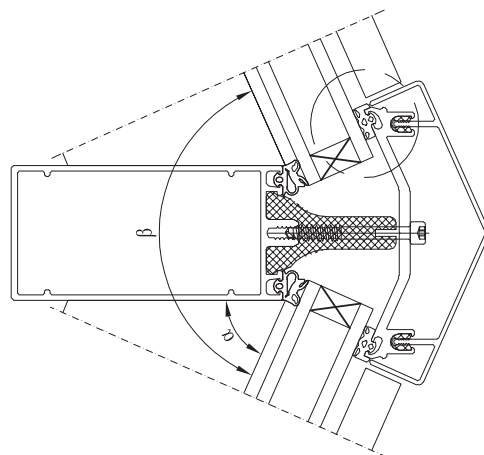
Internal glazing gasket with rebate 32 mm and 42 mm

Filling thickness	20 mm	22 mm	24 mm	26 mm	28 mm
	30 mm	32 mm	34 mm	36 mm	38 mm
Glazing gasket	912 806	912 805	912 804	912 803	912 802

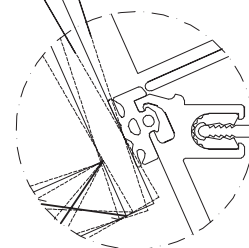
with spacer profile



with insulating profile



+6° bis -6°



Possible bending angle
pressure plate area