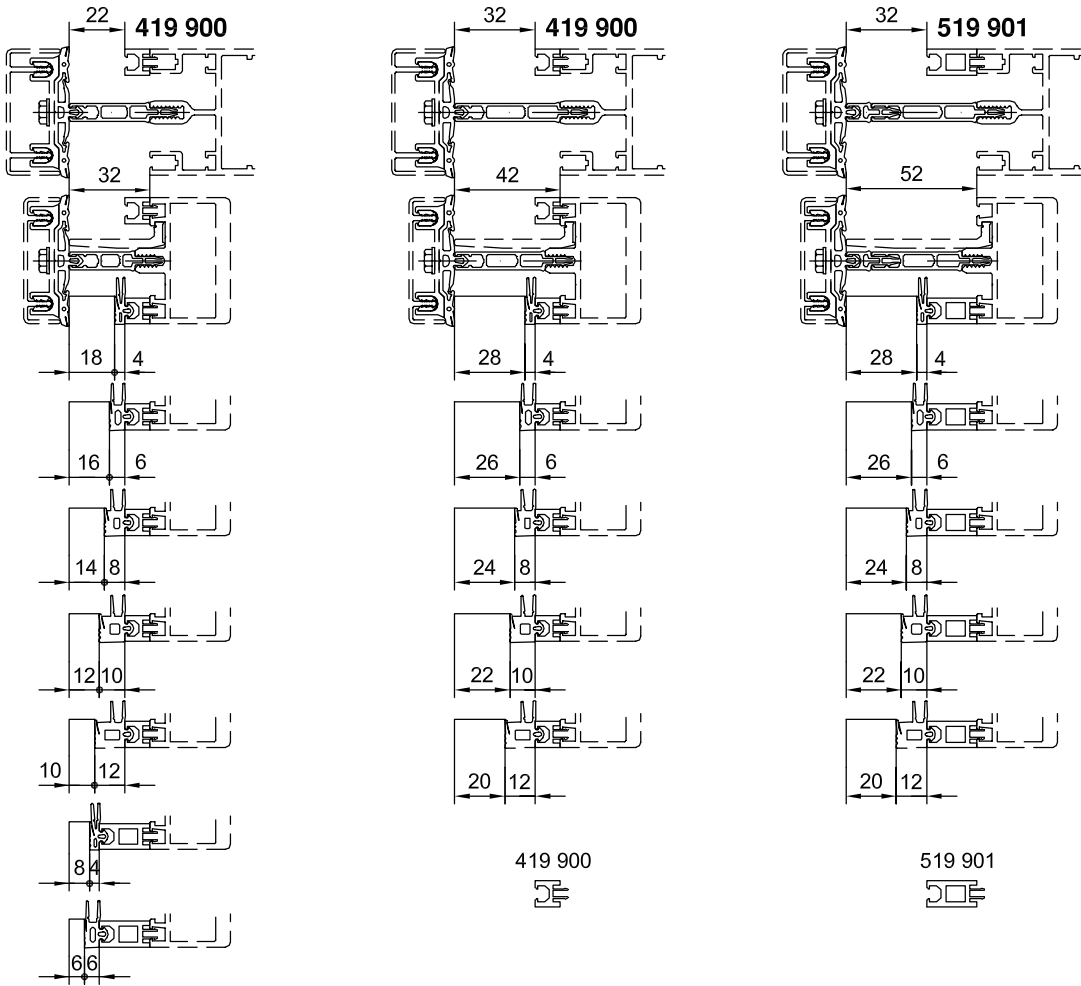
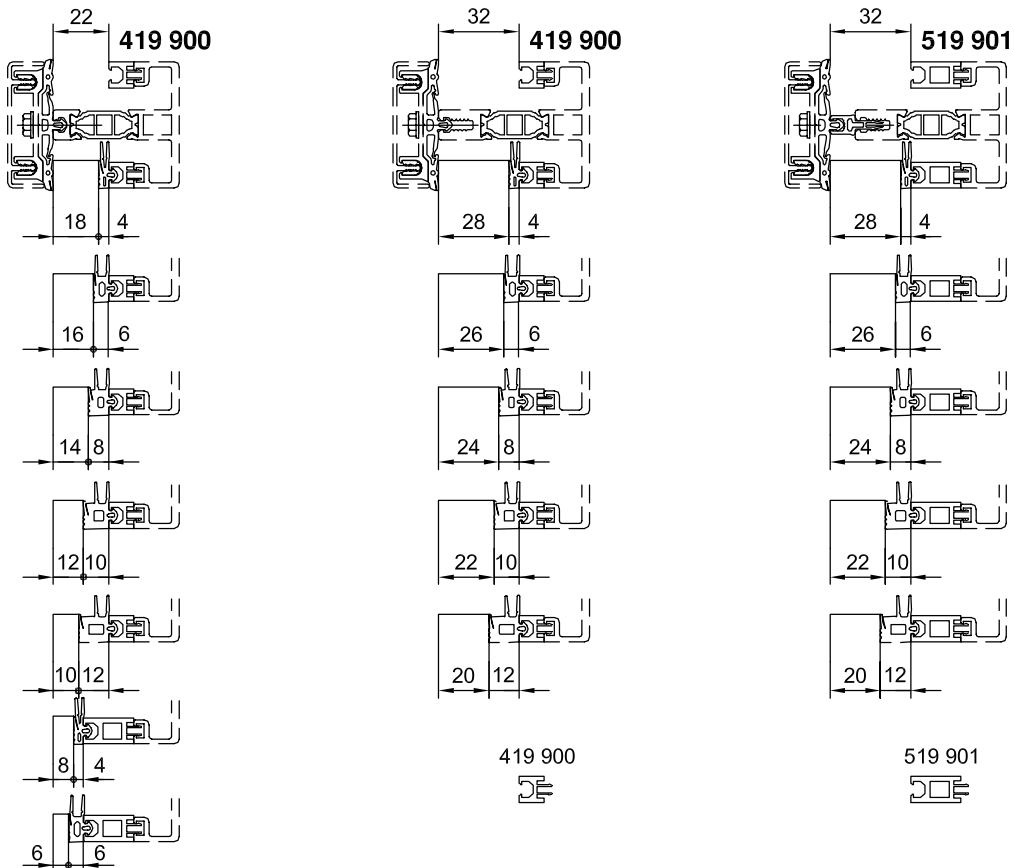


For variants with insulating profiles, pressure plate and cover profiles, internal and external glazing gaskets see page 17



419 900

519 901

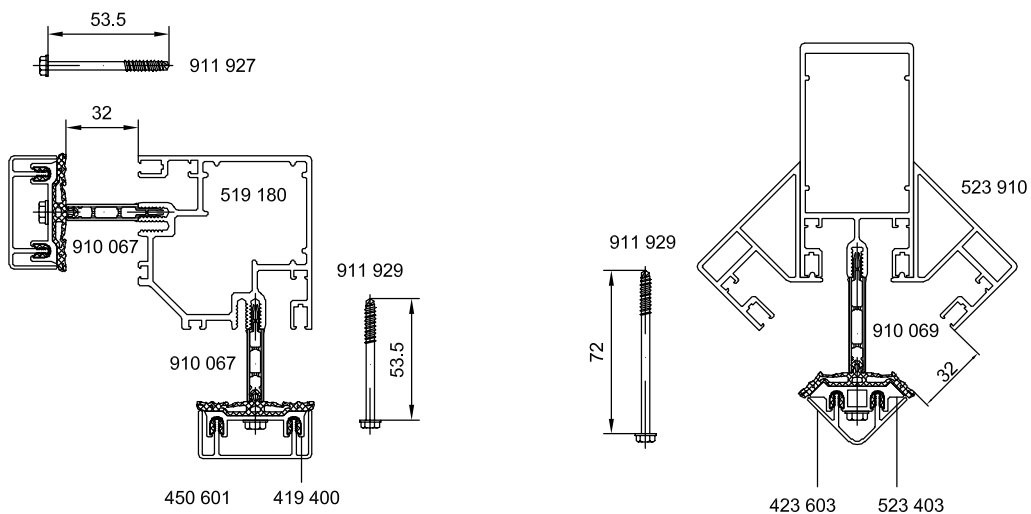
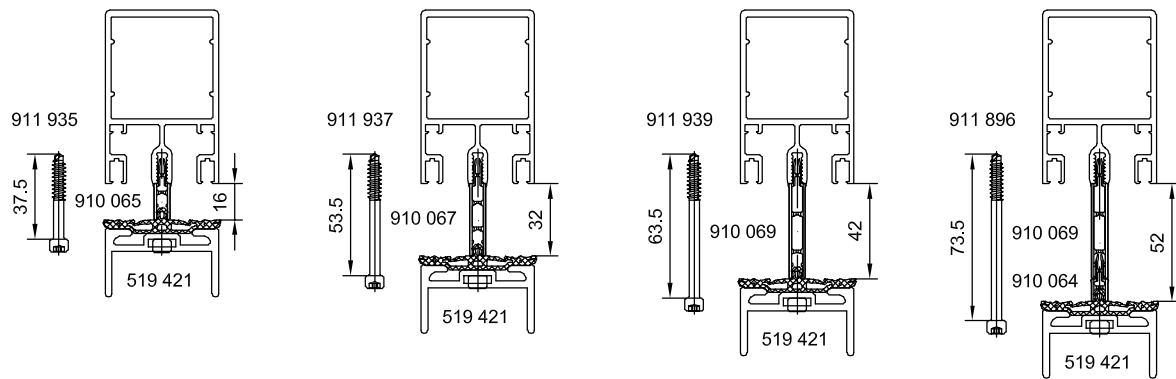
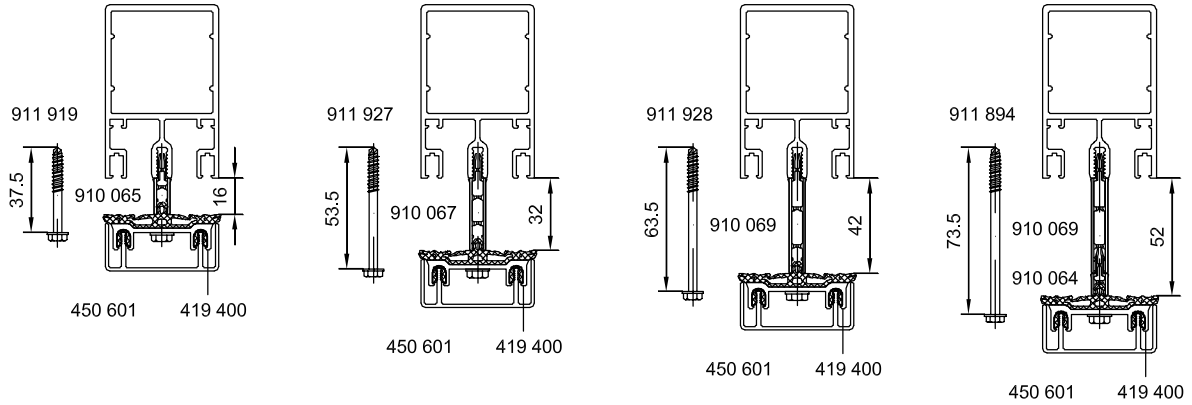


419 900

519 901

Overview of screws for mullion profiles

For variants with insulating profiles, pressure plate and cover profiles, internal and external glazing gaskets see page 17

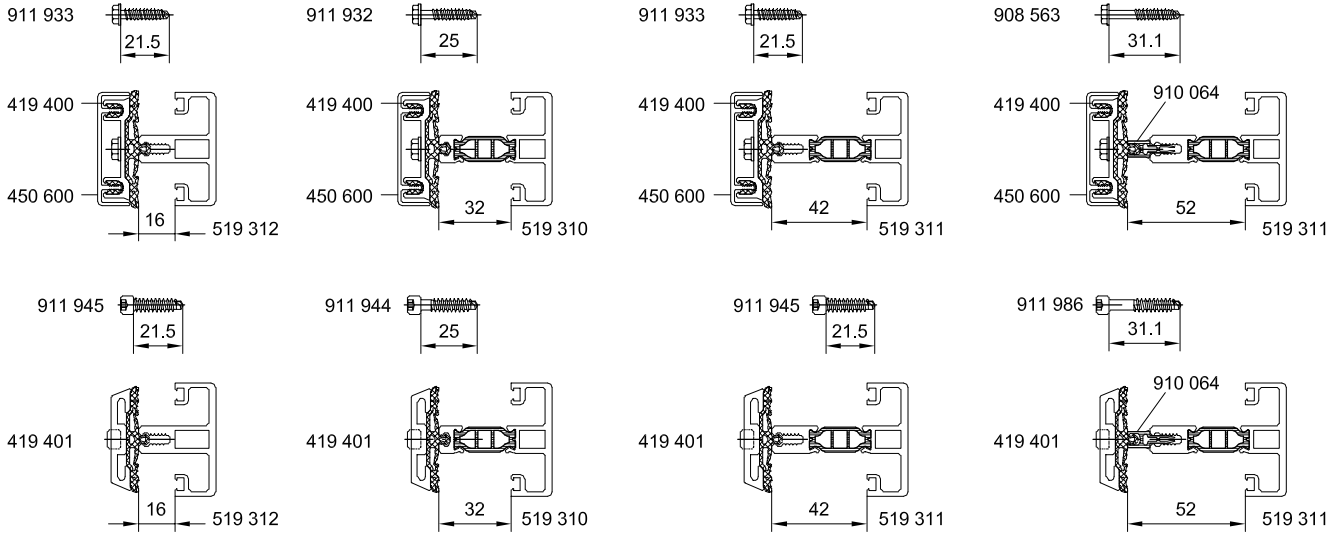


For façade fixing screws for the mullion profiles 519 110 – 519 112, 519 115 – 519 118 and 519 120 – 519 123 see page 29
 For façade fixing screws for the mullion profiles 423 141 – 423 144 see page 30

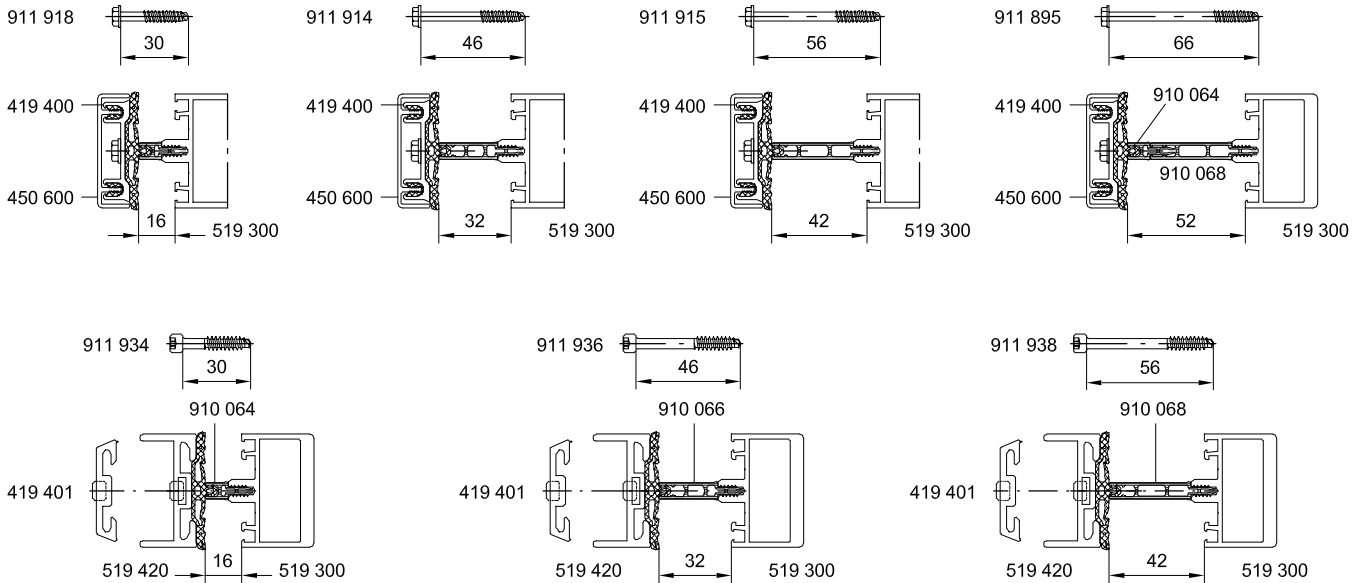
Overview of screws for transom profiles

For variants with insulating profiles, pressure plate and cover profiles, internal and external glazing gaskets see page 17

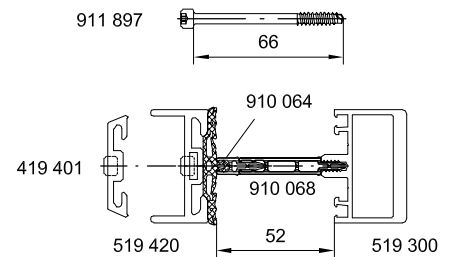
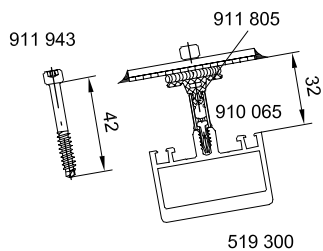
Inlet transom



Deepened transom



Roof area only



Glazing table for pressure plate profile 519422

Mullion Rebate width Outer edge of the glass Outer edge of the glass Outer edge of the glass Outer edge of the glass Outer edge of the glass Outer edge of the glass Outer edge of the glass Outer edge of the glass	Pressure plate profiles and external pressure plate glazing gaskets Screws, glass supports, insulation	Pressure plate glazing gasket 914 213	Pressure plate glazing gasket 914 213	Flat pressure plate profile 519 422
	Pfofen	Riegel		
42 42		911 936 46 42	910 066 Spacer profile	46 42 911 936 911 811 Process the glass support in own production 910 066 Spacer profile
42 42 42 10 32 419 900		911 936 46 42	910 072 Spacer profile	46 42 911 936 911 811 Process the glass support in own production 910 072 Spacer profile
52 52 52 10 42 419 900		911 938 56 52	910 068 Spacer profile	56 52 911 938 911 898 Process the glass support in own production 910 068 Spacer profile
52 52 52 10 42 419 900		911 938 56 52	910 073 Spacer profile	56 52 911 938 911 898 Process the glass support in own production 910 073 Spacer profile
see also chapter "Processing"				