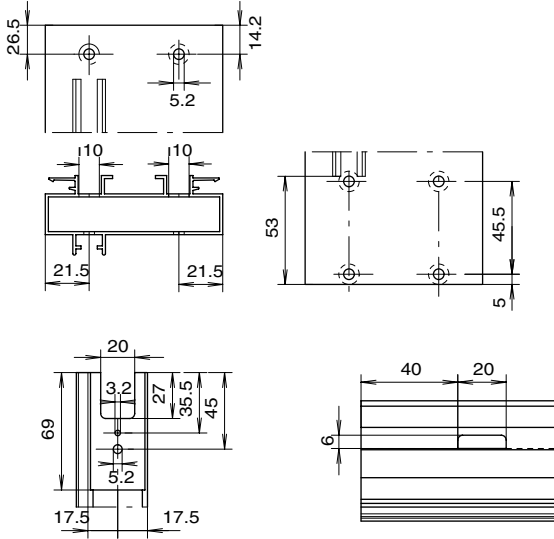


Bottom rail with foot pedal

909669

Bottom rail with foot pedal, reducing valve, oil filter and pressure gauge for punching tools 909 667 and 909 668

Punching tool for working with series SC 90



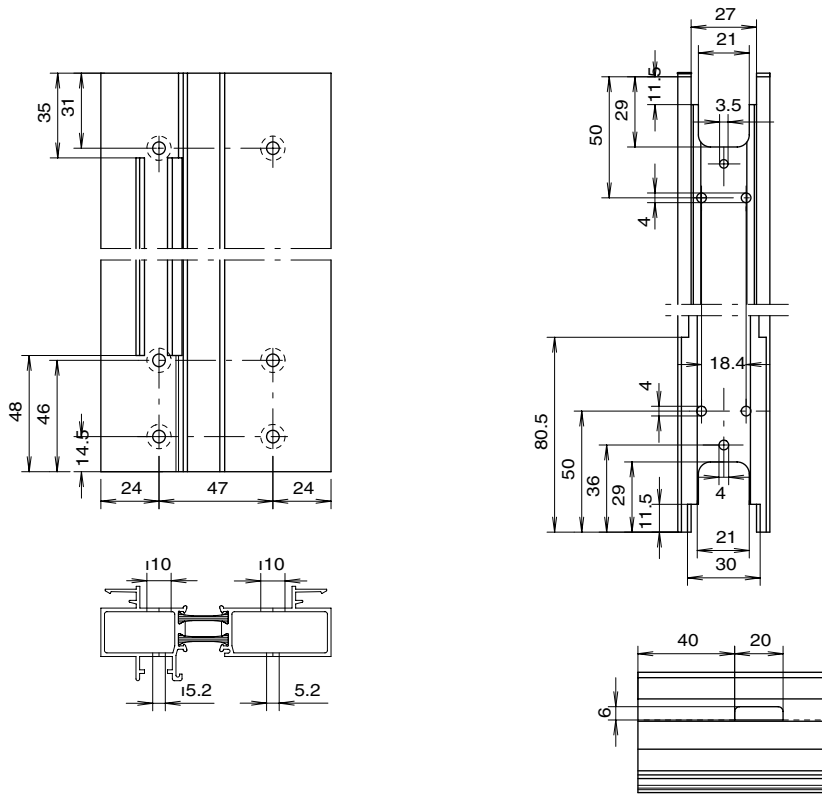
909667

Punching tool for upper and lower web removal as well as upper and lower fixing drill holes in lateral fixed frames 592 102/ 592 104. Drainage slots in lower fixed frames. Upper and lower punching as well as sash profile fixing drill holes.

Punching tool for working with series SC 90 i

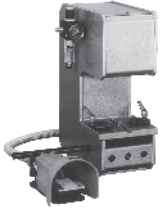
909668

Punching tool for upper and lower web removal as well as upper and lower fixing drill holes in lateral fixed frames. Drainage slots in lower fixed frames. Sash profile notching including fixing drill holes.



HUECK punching racks

(Please note the information on handling 962 001)



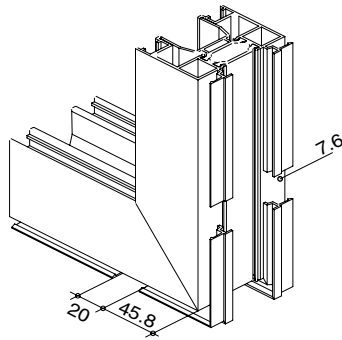
992 963

Hueck "Hydropneumatic punch", pressure transmission via pressure transformer, punching process triggered by means of foot pedal, jig for quick change of tools, required operating pressure 6-7 bar

906 111

Table rack, suitable for 992 963

Punching tool for external web notching on profiles 589 001/ 002 (corner bracket pin holes), to be used with hydropneumatic punch 992 663



909670

Punching tool for SC 90i for punching the housing for supplementary profiles on 589 002 and 589 002